

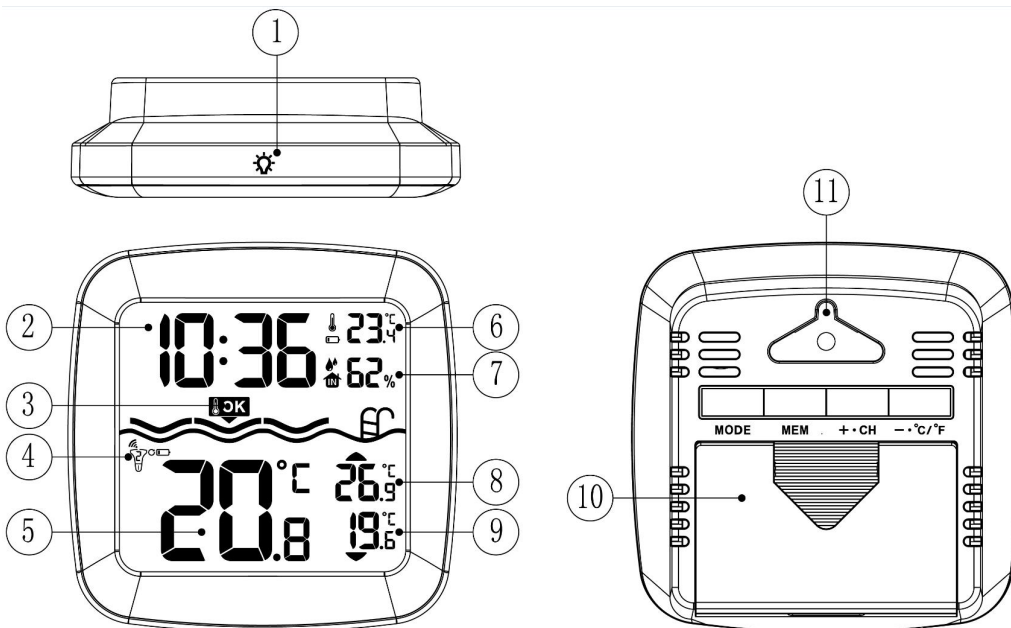
Wireless Pool Thermometer

User Manuals

Features:

- ▶ Time in optional 12/24 hour format
- ▶ Swimming pool temperature detection
- ▶ Comfort level display
- ▶ Low battery indicate
- ▶ Temperature display in optional °C /°F
- ▶ Maximum / Minimum temperature and humidity record and query
- ▶ Can take up to three outdoor transmitters
- ▶ LED backlight
- ▶ Indoor humidity range: 20%RH ~ 95%RH
- ▶ Temperature measurement ranges:
 - Indoor: -9.9°C (14.2°F) ~ 50°C (122°F)
 - Outdoor: -40°C (-40°F) ~ 70°C (158°F)
- ▶ Wireless parameter:
 - 3 Channels selectable
 - 433.92MHz RF transmitting frequency
 - 60 meter (196ft) transmission range in an open area
- ▶ Power Supply:
 - RX: 2 x LR03 size AAA
 - TX: 2 x LR03 size AAA

Appearance description:



RX

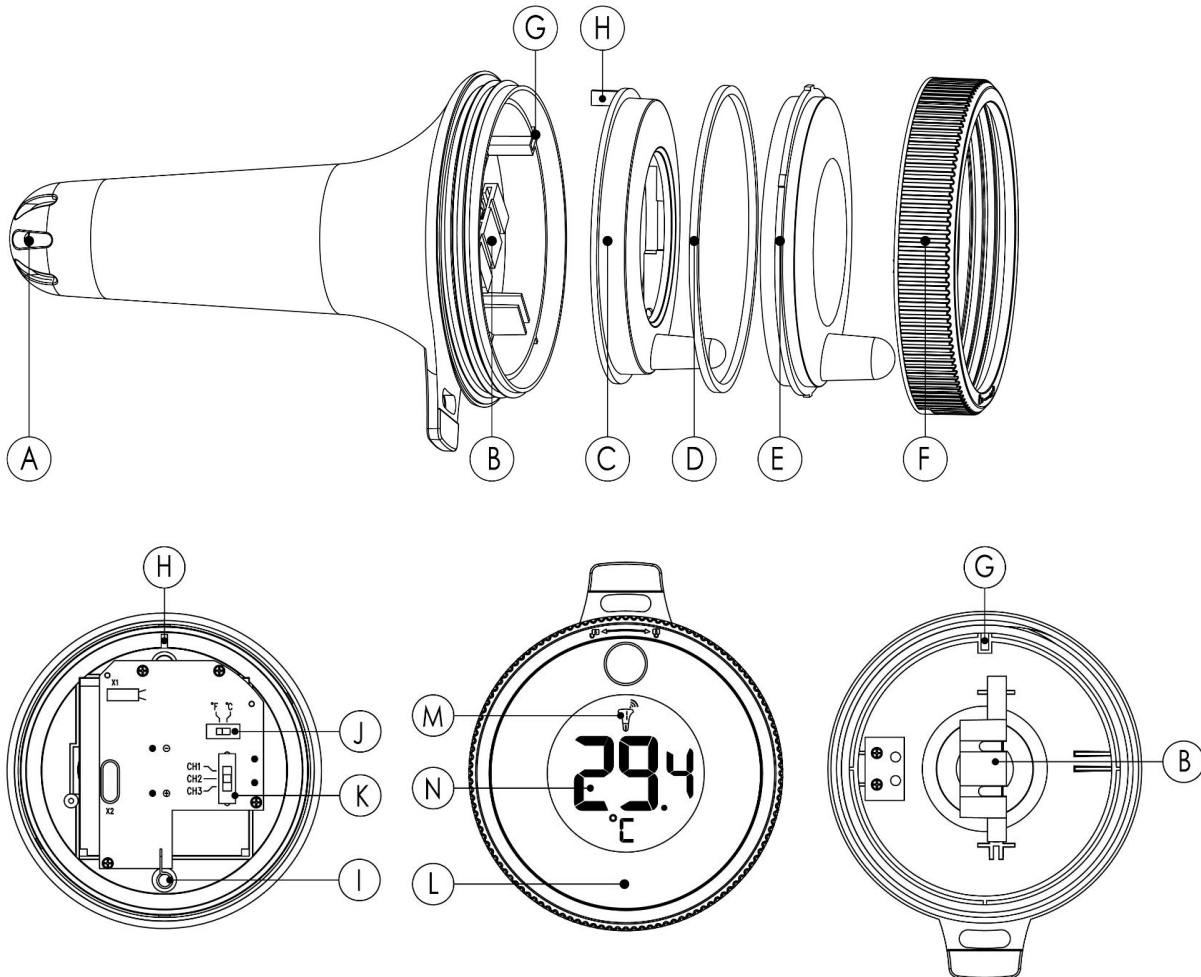
- 1: Touch button (backlight)
- 2: Time
- 3: Comfort level display
- 4: Remote sensor channel
- 5: Remote sensor channel
- 6: Remote sensor channel
- 7: INDOOR humidity
- 8: TX temperature MAX. value
- 9: TX temperature MIN. value
- 10: Battery compartment cover
- 11: Hanging loop

Wireless Pool Thermometer

User Manuals

5: TX temperature
6: INDOOR temperature

11: Wall mounting hole



TX

A: Temperature sensor

B: Battery box

C: Main control module

D: Waterproof rubber ring

E: Lens

F: Locking cover

G: Positioning pin A

H: Positioning pin B

I: Transmitting antenna

J: °C/°F selection switch


K: Channel selection switch

L: LED indicator for signal transmitting

M: Channel

N: Temperature value

Initial operation

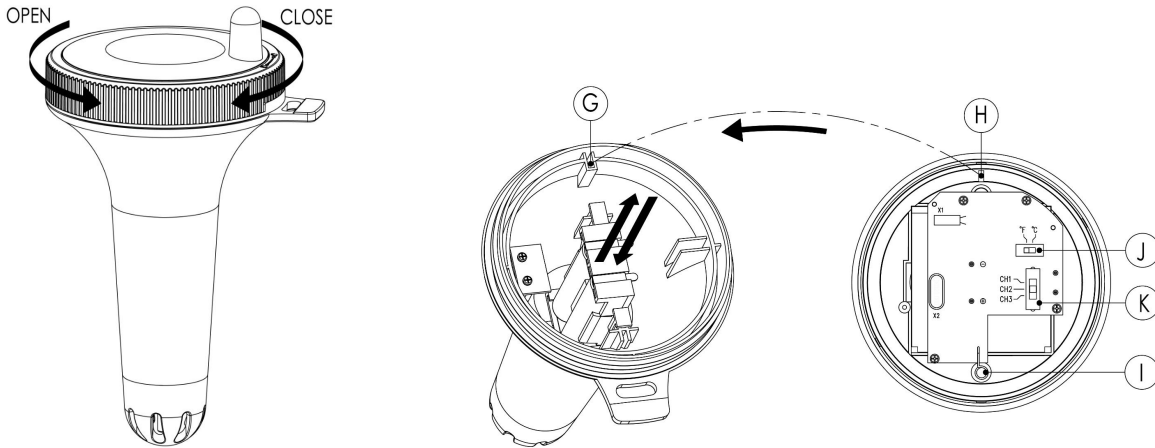
- ▶ Open the main station battery compartment cover
- ▶ Insert 2 x AAA batteries, observing polarity 【 “+” and “-” marks 】
- ▶ When you insert the batteries, all icons on the LCD will light up for 3 seconds, and you will hear a beep tone, then detect indoor temperature & humidity.
- ▶ The main station will now start to make a connection to the remote sensor, this operation takes about 3 minutes and will display by a flashing reception RF antenna symbol 
- ▶ Open the remote sensor battery compartment, insert 2 x AAA batteries, observing polarity 【 “+” and

Wireless Pool Thermometer

User Manuals

“-“ marks】, choose the temperature unit and channel you need.

- ▶ The temperature unit °C/°F can be selected by switch “J”, the channel can be selected by switch “K”



- ▶ After open it up, do not touch other components, especially the antenna “I”, pay attention to the direction of the slot when installing the battery box. After setting, align “H” with “G”, cover the lens and waterproof ring, and lock the cover tightly.
- ▶ This pairing mode only takes 3 minutes, if the pairing fails after more than 3 minutes, you need to press and hold the “CH” button for 2 seconds to re-enter 3 minutes pairing mode.
- ▶ After successful pairing, the remote sensor can be put into the swimming pool to detect its water temperature.

Manual time setting

- ▶ In normal mode, press and hold **MODE** button for 2 seconds, enter into the setting mode, the set item will blink. Press “+” or “-” buttons to adjust the value, Press **MODE** button to confirm the setting and go to the next one, the sequence of setting is as follows:



TIME format(12/24HR) → HOUR → MINUTE

- ▶ Press **MODE** button to confirm the last item to end the setting procedures, then it will return to the normal mode.

F.Y.I.:

- ▶ If there is no valid operation within 20 seconds, it will automatically return to normal time mode from the set mode.

RF Transmission Procedure



- ▶ The RX automatically start receiving transmission from remote sensor for pool temperature after batteries inserted.
- ▶ The remote sensor will automatically transmit temperature signal to the RX Station after batteries inserted.
- ▶ If the RX failed to receive transmission from remote sensor (“- -.-” display on the LCD), press and hold “CH” button for 2 seconds to receive transmission manually, RF icon  flashes on the LCD.
- ▶ Press “CH” button to query CH2, CH3 data or cyclic display, When the symbol  appears, it means that

Wireless Pool Thermometer

User Manuals

the data of three channels will be displayed circularly.

Query Maximum/minimum numerical value

- ▶ When the indoor / outdoor temperature and humidity are shown in the LCD, The product began to record temperature and humidity maximum and minimum values.
- ▶ Press once **MEM** button, the LCD will display maximum value of temperature and humidity, press **MEM** button again, it will display the minimum value of temperature and humidity.
- ▶ At the same time, there are "MAX" or "MIN" icons displayed on the LCD.
- ▶ The arrow in the lower right corner of the screen indicates the maximum and minimum outdoor temperature:
The symbol  indicates the maximum temperature
The symbol  indicates the minimum temperature
- ▶ Press and hold **MEM** button 2 seconds, delete the current temperature and humidity maximum/minimum value, there will be "-.-" displayed in the LCD 2 second.
- ▶ The memory value of the day will be automatically cleared at 0:00 every night.

F.Y.I.:

- ▶ If the temperature reading is below ranges, the **LL.L** will be displayed. If the temperature reading is above ranges, the **HH.H** will be displayed.

Comfort level



The temperature of the remote sensor is below 20°C (68°F) ;





The temperature of the remote sensor is Between 20°C (68°F) and 30°C (86°F);



The temperature of the remote sensor is above 30°C (86°F).

Low battery indicate

When the symbol of low battery  appears in the INDOOR area, it means that the RX needs to be replaced with new batteries.

When the symbol of low battery  appears in the OUTDOOR area, it means that the remote sensor needs to be replaced with new batteries.