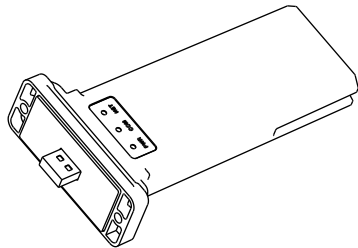


Felicity Smart WiFi Module

Quick Install Guide



358-010243-01

1. Instructions

1.1 Model.

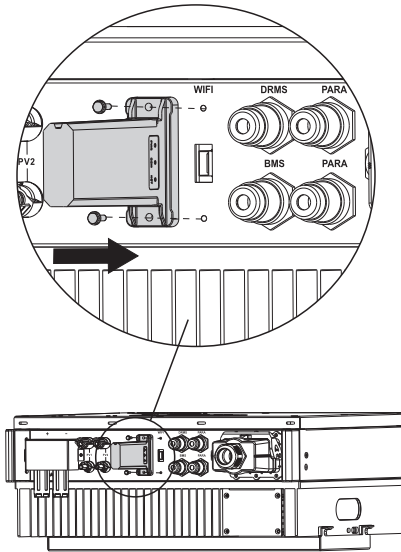
NO	NAME	MODEL	WIFI NETWORK	PICTURE
1	Smart WiFi-S	IOTH2401	2.4G WIFI	
2	Smart WiFi-M	IOTH2402	2.4G WIFI	

LED status:

	PWR	COM	NET
	ON	ON	ON
	ON	ON	OFF
	ON	OFF	ON
	ON	OFF	OFF

2. Connection between device and Smart WiFi module

Insert the USB-A port of the smart WiFi module into the WiFi port of the solar device and tighten it with the screw.



3. Configure Network

3.1 Download APP

Scan the QR Code on the right side and download the APP.

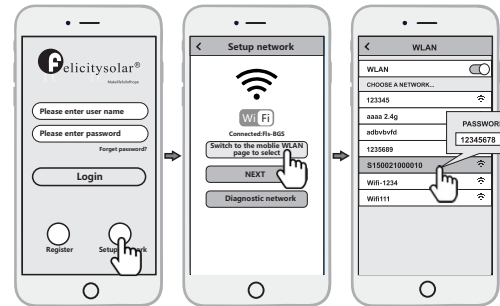


FsolAR APP

3.2 Connect to Smart WiFi module wireless network

Configure the mobile phone WLAN to connect to the wireless network of the Smart WiFi module.

- 1) Run the APP, enter the login page, click the Setup network button to enter the network configuration page.
- 2) On the network configuration page, click the switch to mobile WLAN page to selection button to enter the mobile phone WLAN page.



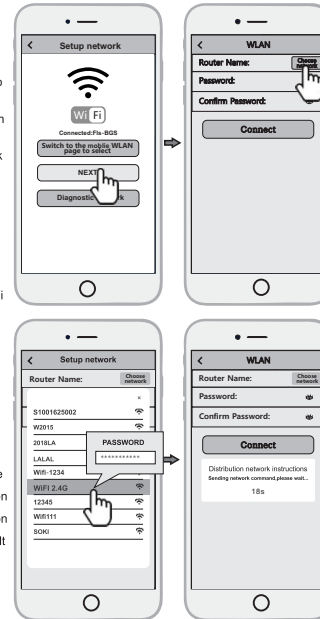
3) On the WLAN page of the mobile phone, find the corresponding wireless network name (SSID) of the Smart WiFi module, starting with Ste.g. Snnxxxxxxx, the xxxxxxxx is the same as the last 10 bytes of the Smart WiFi module serial number), enter the module wireless network password (default password: 12345678), and connect to the wireless network of the Smart WiFi module.

3.3 Configure the network

- 1) After the mobile WLAN is connected to the wireless network of the Smart WiFi module, return to the network configuration page of the APP and click the NEXT button to enter the WiFi network page.
- 2) On the WiFi network page, click the choose network button, select the router wireless network to which the Smart WiFi module needs to connect, enter the router wireless network password and click the Connect button.
- 3) And then wait for the Smart WiFi module to connect to the router's wireless network, which will take some time.

Note: if the LED status of NET is always on, it indicates that the Smart WiFi module has been correctly connected to the server.

Otherwise, the Smart WiFi module is not connected to the server. Then you can use the diagnostic function of the APP or according to the fault appendix to troubleshoot the problem.



4. Create the plant

After the Smart WiFi module is connected to the server, it will transmit the data of the solar device to the server. And after the plant is created, users can view and manage the solar device via the APP or web browser.

4.1 Manage device via APP

4.1.1 Register an account

Run the APP, enter the login page, click the register button, fill in the relevant information, and register an account.

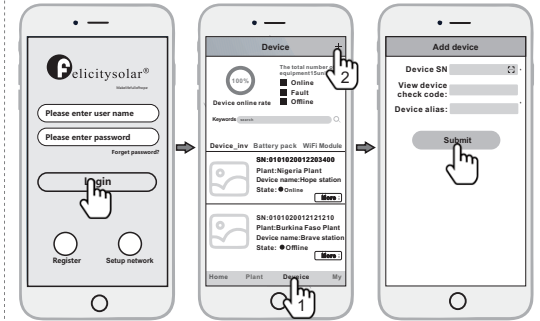
4.1.2 Adding devices

- 1) After logging into the APP with an account, enter the home page, click the Device button to enter the device interface.
 - 2) Click the + button to enter the Add Device page, and fill in the relevant information as required.
- Note: Device SN refers to a solar device serial number, such as an inverter serial number.

4.1.3 Adding plant

- 1) After adding the device, click the Plant button to enter the plant interface.
- 2) Click the + button to enter the page of adding the plant fill in relevant information as required and finally click the Submit button to add the plant.

4.2 Manage the device via a web browser, please refer to: <https://shine.felicitysolar.com>.



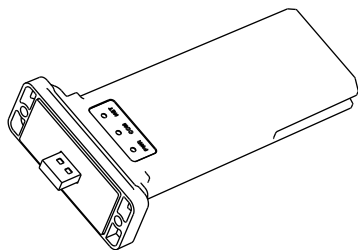
Appendix: Troubleshooting table

LED Status	Indicate			Troubleshooting
	PWR	COM	NET	
ON			ON	Normal power supply
ON			OFF	Normal communication with solar device
ON		ON	ON	Normal communication with the data server
ON	Fast Flash			Upgrading the solar device
OFF				Abnormal power supply firmware
ON	OFF or Slow Flash			Abnormal communication with the solar device
ON			Flash	Abnormal communication with the router or the data server

1. Power supply of usb-a port is abnormal
 2. Check whether the screws are tightened
 3. Smart WiFi module failure
1. Check that the screws are tightened
 - 1) Confirm whether to configure wireless information to connect to the router
 - 2) The router name should consist of English letters and numbers, it does not support special symbols
 - 3) Confirm whether the router connected to the Smart WiFi module can connect to the Internet
1. Check the router information
 2. Check if you filled in the correct name and password of the router when configuring it
 3. Confirm whether the signal quality between the Smart WiFi module and the router is good

菲利斯 Smart WiFi 采集器

快速安装指南



358-010243-01

1. 采集器说明

1.1 采集器型号

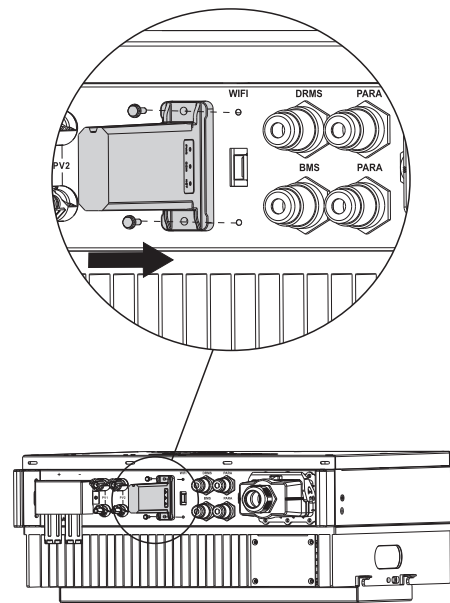
序号	名称	型号	WiFi网络	图片
1	Smart WiFi-S	IOTH2401	2.4G WiFi	
2	Smart WiFi-M	IOTH2402	2.4G WiFi	

LED 状态

PWR	亮	电源供电正常
COM	亮	与太阳能设备通信正常
NET	亮	与数据服务器通信正常

2. 电气连接

将采集器的USB-A端口插入太阳能设备的WiFi端口，并使用螺丝钉拧紧。



3. 配置网络

3.1 APP下载

扫描右边二维码，下载APP。

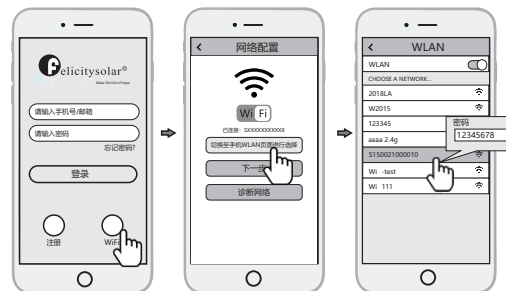


Fsolar APP

3.2 连接采集器无线网

配置手机WLAN无线局域网连接采集器无线网。

- 运行Fsolar APP，进入登录页面，单击【WiFi配网】按钮，进入网络配置页面。
- 在网络配置页面上，单击【切换至WLAN手机页面进行选择】按钮，进入手机WLAN页面。



- 在手机WLAN页面，找到对应的采集器无线网名称（SSID），以S开头(如Snmxxxxxxxx)，其中xxxxxxxx与采集器序列号后10位是相同的，输入采集器无线网密码（默认密码：12345678），连接该无线网。

3.3 配置网络参数

- 手机WLAN无线局域网连接到采集器无线网后，返回到APP应用程序的网络配置页面，并单击【下一步】按钮，进入WiFi配网页面。

- 在WiFi配网页面，点击【选择网络】按钮，选择采集器需要连接的路由器无线网，输入路由器无线网密码，然后单击【连接】按钮。

- 最后等待采集器连接该路由器无线网。

注：如果NET指示灯状态是常亮，说明采集器与服务器建立了连接。否则，采集器没有与服务器建立连接，可以使用APP的诊断功能或根据故障附录表，可排查问题。



4. 新增电站

采集器与服务器建立连接后，将传输太阳能设备的数据至服务器。用户通过建立电站后，即可通过APP或web浏览器查看和管理太阳能设备。

4.1 通过APP管理设备

4.1.1 注册账号

运行APP，进入登录页面，单击注册按钮，填写相关信息，进行注册。

4.1.2 添加设备

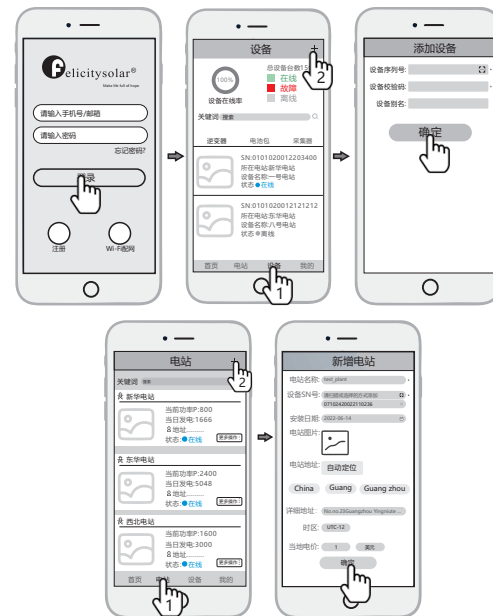
- 使用账号登录APP后，进入首页，单击【设备】按钮，进入设备页面。
- 单击【+】按钮，进入添加设备页面，按要求填写相关信息。

注：设备序列号是指太阳能设备序列号，如：逆变器序列号。

4.1.3 添加电站

- 添加完毕设备后，再单击【电站】按钮，进入电站页面。
- 单击【+】按钮，进入新增电站页面，按要求填写相关信息，单击确定按钮即可新增电站。

4.2 通过web 浏览器管理设备，请参考：<https://shine.felicitysolar.com>。



附：故障排查表

LED 状态			工作状态	排查
PWR	COM	NET		
亮			供电正常	正常工作
亮	亮		与太阳能设备通信正常	正常工作
亮	亮	亮	与数据服务器通信正常	正常工作
亮	快闪		正在升级太阳能设备程序	正常工作
灭			供电异常	1.检查是否正确安装螺丝钉 2.检查USB接口连接是否有异常
亮	灭或暗闪		与太阳能设备通信异常	1.检查是否正确安装螺丝钉 2.检查USB接口连接是否有异常
亮		闪烁	与路由器或服务器通信异常	1.检查路由器 1) 确认是否有配置连接路由器 2) 路由器的无线名称仅支持英文和数字组成，不支持中文名称 3) 确认采集器连接的路由器是否可以正常连接internet 2.检查配置连接路由器的账户和密码是否正确 3.检查采集器与路由器之间的信号强度是否良好