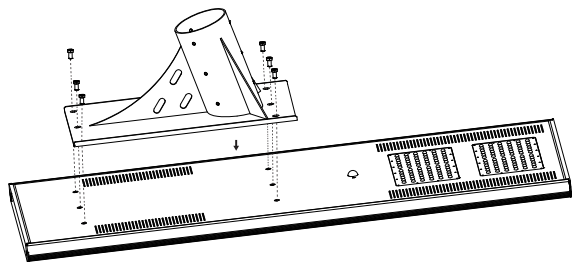


4.INSTALLATION INSTRUCTIONS

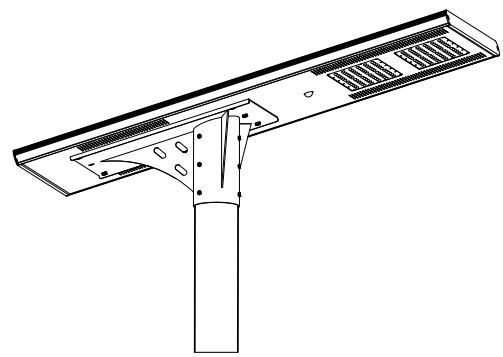
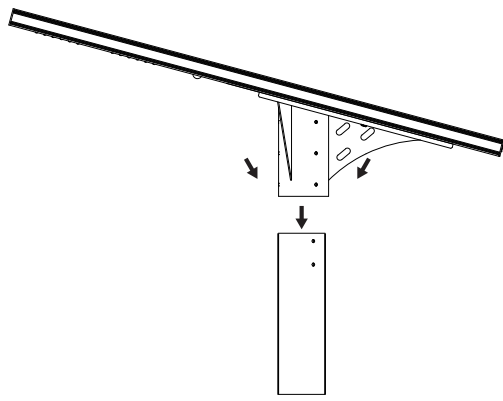
4.1 The tailstock installation

Use the screws to fix the bracket on the lamp



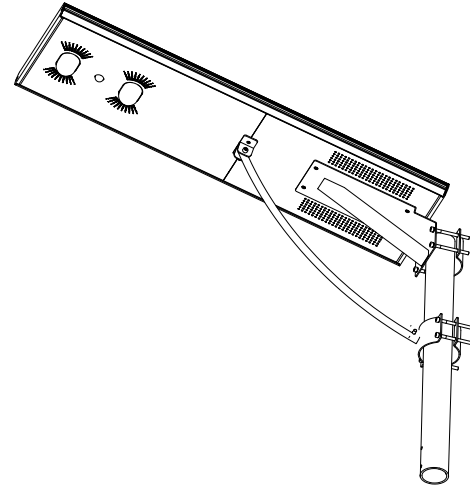
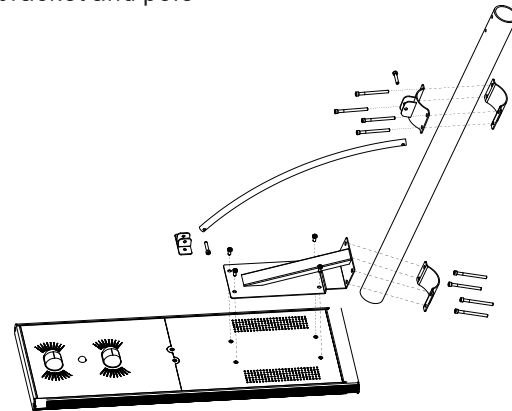
4.2 Light pole installed

Use the screws to fix the lamp on the post



4.3 Bracket installation

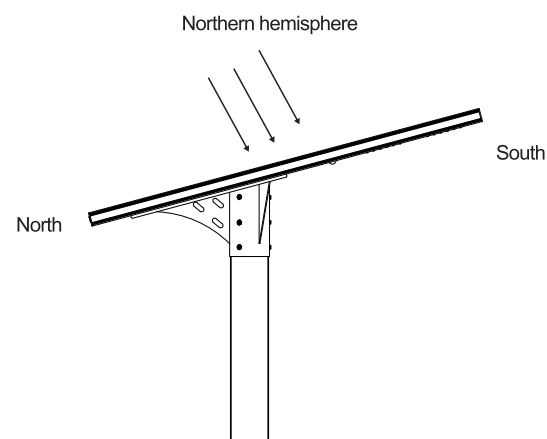
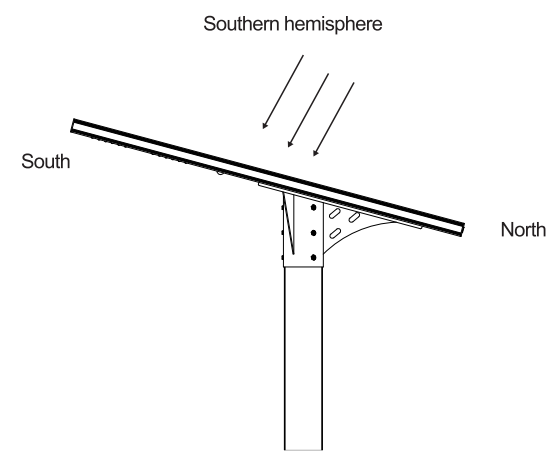
Use the screws to fix the bracket on the bracket and pole



Successful installation

1. Integrated solar street lights can't work without sunshine, Please choose suitable product model according to the sunlight intensity of the installed area or amount of solar radiation, and choose product model according to the actual lighting needs ;In the area where the sun is not enough or long-time continuous rainy day, the working time of the solar light will be reduced, this lamp design is mainly based on African average illumination time;

2. If install this product in the northern hemisphere, make solar panels as possible towards the south, in order to get maximum light energy; If it is in the southern hemisphere, installing solar panels towards the north. At the same time to avoid the shadow of houses, trees and other obstructions which will reduce the efficiency of the solar panel and shorten its work time.



5.Warranty and after-service:

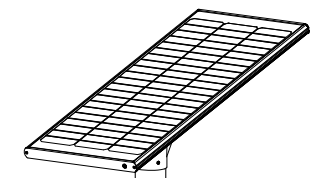
This product from the date of delivery, not artificial damage warranty for 36 months.

Felicitysolar®

Make life full of hope

User Manual

A3 Series
All in one solar street light

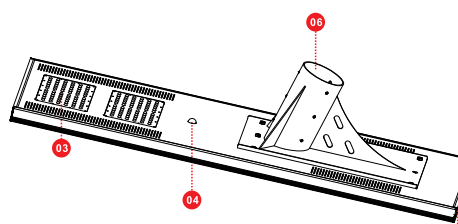
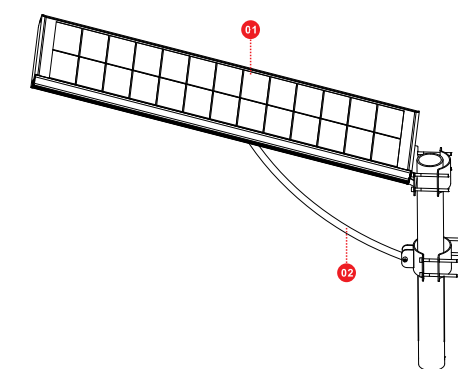


358-010020-06

1.INTEGRATED SOLAR STREET LIGHT INTRODUCTION

- 1.1 Integrated design and source, high capacity LiFePO4 lithium battery, high energy, and long life, light weights, green and environmental protection, do not produce any harmful substances.
- 1.2 Philips LED chip with high light efficiency which can reach 180LM/W, and whole lamp light efficiency can reach 160LM/W at least
- 1.3 All series use intelligent controller which can increase 15%-30% charge efficiency
- 1.4 Design with high efficiency solar cell (>22%)
- 1.5 Convenient installation and maintenance, no need of cable installation or special light pole, functional components modular design, installation and maintenance, convenient and quick replacement.

2.Part description



1. Solar panel
2. Support bracket
3. LED light
4. Body induction
5. Switch
6. Tailstock

3.The performance parameters

Model	A3-30W-P	A3-40W-P	A3-60W-P	A3-60W	A3-100W-S	A3-150W	Note	
Solar module	55W (Mono)	60W (Mono)	105W (Mono)	105W (Mono)	145W(Mono)	190W(Mono)		
High capacity lithium battery	Built-in 260WH	Built-in 350WH	Built-in 405WH	Built-in 532WH	Built-in 888WH	Built-in 1240WH		
luminous flux (All light pattern)	4800lm	6400lm	8100lm	9600lm	16000lm	24000lm		
Working Mode	Normal mode(default): 4H100% 4H50% 4H25% Induction mode(optional): No induction or customization						OEM according to the quantity	
Solar panel charge time	8H strong sunlight							
Working	TimeAll light pattern		≥ 12 hours					
	Raining days backup		3 days					
Color temperature	6500K							
Induction angle	70° X 140°							
Light pole diameter	76 - 114mm			114mm				
Storage temperature	0-55℃							
Operating humidity	≤ 90%RH							
Working temperature	Charge temperature		0-55℃					
	Discharge temperature		-10℃-60℃					
Ingress Protection	IP65							
Support bracket	Yes	Yes	No	No	No	No		
Recommend Installation height	3-5m	3-6m	5-7m	5-7m	6-9m	7-10m		
Product Package dimensions	1015*375*155mm	1115*385*155mm	1315*535*170mm	1315*535*170mm	1585*535*200mm	1815*615*150mm	2PCS/CTN	
Product Gross weight	20.9KG	23.2KG	36KG	36KG	46.3 KG	52.2KG	2PCS/CTN	
Tailstock Package dimensions	420*125*160mm			517*312*268mm			610*385*260mm	2PCS/CTN
Tailstock Gross weight	11.5KG			13.6 KG			15.0 KG	2PCS/CTN

Light distribution curve

