

CO2 jet machine

Warning:

The equipment working on power is prohibition.

It must be wiring the electricity safely standard.

Please install specialized line in the ground for the machine.

It must be operating the gas steel bottle user standard.

The nozzle mustn't facing the human and animal.

Confirmation the system connection yet, then connect electrifies and gas.

Matter of maintain:

1. The warranty for the machine is 1-year.
2. Following damages situation is not in the free service range:
 - (1). Incorrect transports, installs, uses and arrange.
 - (2). Dismantle the product privately.
 - (3). External reason of abnormal voltage, fire etc.
 - (4). Other unavoidable reason such as thunder stroke, earthquake etc.

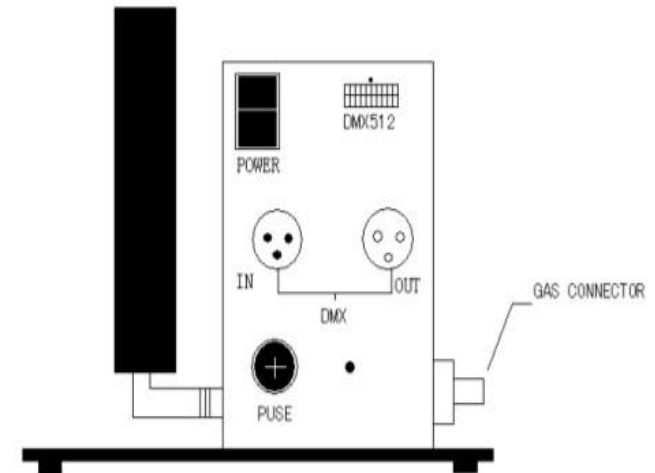
Products feature and technical parameter;

- (1). Spray large amount of smoke, and the spray distance of up to 5-8m,
- (2). It has a high compatibility, easy to operation.
- (3). Voltage: AC220V (10%), one-way for power.

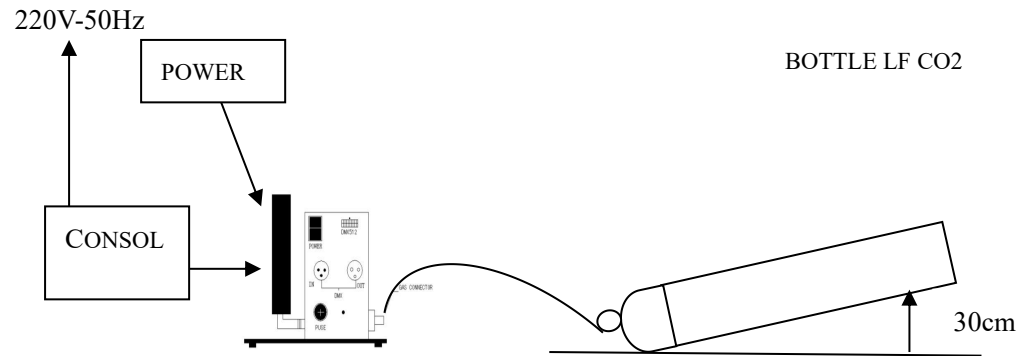
Power: 200W

- (4). Pressure: 15MPa.

Structure illustration



Installs illustration:



1. Places the large CO2 column on the corresponding position
2. Connects the gas meatus and the gas bottle
3. Turn on the valve of the gas bottle
4. Put down the bottle and keep it flat
5. The wire attached to the High-Pressure Pie. one end of which fastens firmly on the machine body, another fastens firmly on the bottleneck.
6. Connect the machine and the console.
7. Before disassembling, firstly turn off the bottle valve, let out the gas which remain in the pipe, then turn off the power, lastly separate the connector of the gas bottle.

Attention:

1. The bottle must put down and keep flat. or else the gas column can't up.
2. The trachea connection must be sure link.
3. When not use the machine, the nozzle, the steel bottle intake must be envelop, in order to prevent enter other thing.

Operation method

DMX512 signal control: Press to the "DMX" switch, there has two channels under the DMX512 signal environment. After connect the DMX512 console, push the first switch will Continue for 1 second CO2 column; push the first and secondly switch together, will continue for 3 seconds CO2 column.

Attention:

- ▲ The CO2 column squirt time cannot surpass for 3 seconds.
- ▲ Two jet time intervals cannot be short in 5 seconds.
- ▲ Before connect the power, please be sure each part of the CO2 column is connection already to operation

Malfunction obviate:

Simple malfunction obviate:

1. Press down the switch of power console, can't spray CO2 column, Please check connect power or no; the gas bottle have enough barometric or on.
2. Press down the switch of power console, the CO2 column effect not well. Please check if put down the bottle: or the operation environment is too desiccation.
3. If leak a few CO2 from nozzle when operation, please turn off the valve of the gas bottle, and repeat and close the machine, can ravel out the trouble.

Special statement:

The high pressure tube, nozzle and steel wire are damageable, not in the range of maintenance.