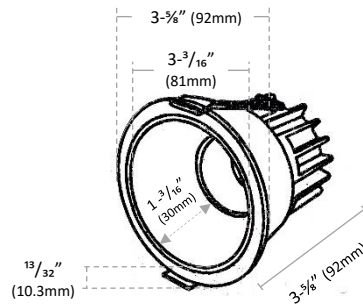


LEV-10235  
LED RECESSED LIGHT

Recessed Downlight | Interior and Exterior | Dry and Damp Location



DIMENSIONS

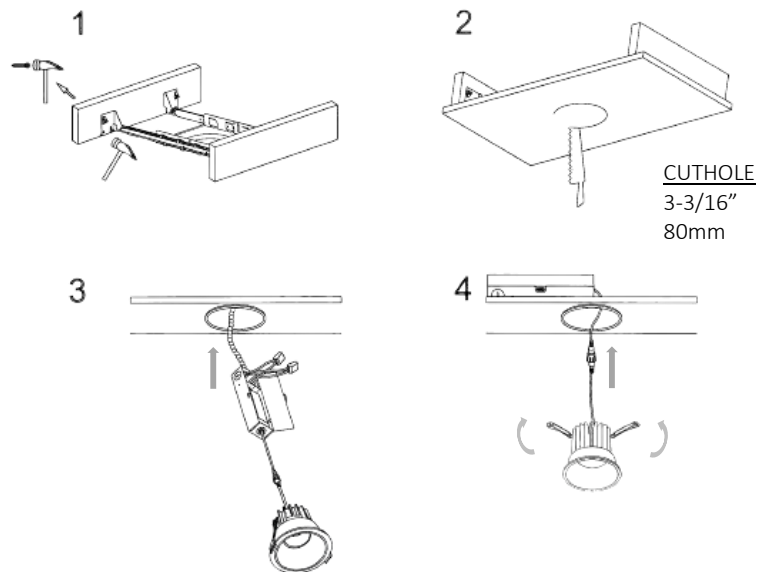


INSTALLATION



- Read all of these instructions before installing.
- This product must be installed in accordance with the applicable code by a person familiar with construction and operation of luminaire electrical system and the hazards involved.
- Turn off power before servicing or installing.

WARNING: Rated for non-insulated ceilings (non-IC rated).



1. Mount bracket by aligning mounting bar end so it is flush with bottom. Hammer in built-in nailer.
2. After drywall installation, cut 3-3/16" (80mm) hole using a gyproc saw or drywall trimmer.
3. **Turn off power.** Connect driver to the correct supply voltage. Push driver through ceiling cutout. Secure driver in place. Then connect the matting connectors on the light engine to driver.
4. Press trim clips inward and slide trim into ceiling cutout until the trim is flat with the ceiling.