

Date	
Project	
Type	
Location	

LEV-10235
3.5" LED RECESSED LIGHT

Recessed Downlight | Interior and Exterior | Dry and Damp Location



ORDERING INFORMATION

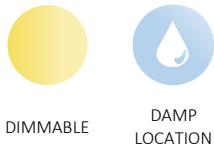
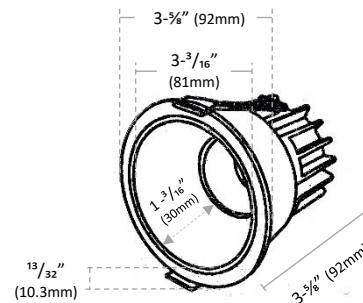
Sample Number: LEV-10235-12W-30-2-90-BK

Product #	Wattage	CCT	Beam Angle	CRI	Finish		
LEV-10235	12W						
LEV-10235	12W	27	2700K	1	15°	90 CRI> 90	BK Black
		30	3000K	2	24°	97 CRI> 97	WH White
		35	3500K	3	38°		SN Satin Nickel
		40	4000K				
		50	5000K				

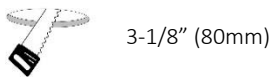
SPECIFICATIONS

Environment	Interior and Exterior. For Dry and Damp Locations.
Material	Aluminum
Trim Finish	Black / White / Satin Nickel
Color Temperature	2700K / 3000K / 4000K / 5000K
Beam Angle	15° / 24° / 38°
Input Voltage	120V, 60Hz
Wattage	12W
Lumen	1200Lm
CRI	90 / 97
IP Rating	54
Mounting	Recessed into Non-Insulated Type Frame
Warranty	5 Years Limited Warranty Estimated 50,000 Hours Useful Life of LED

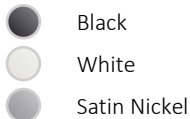
DIMENSIONS



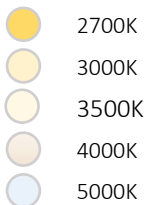
CUT HOLE SIZE



FINISH



COLOR TEMPERATURE



BEAM ANGLE

