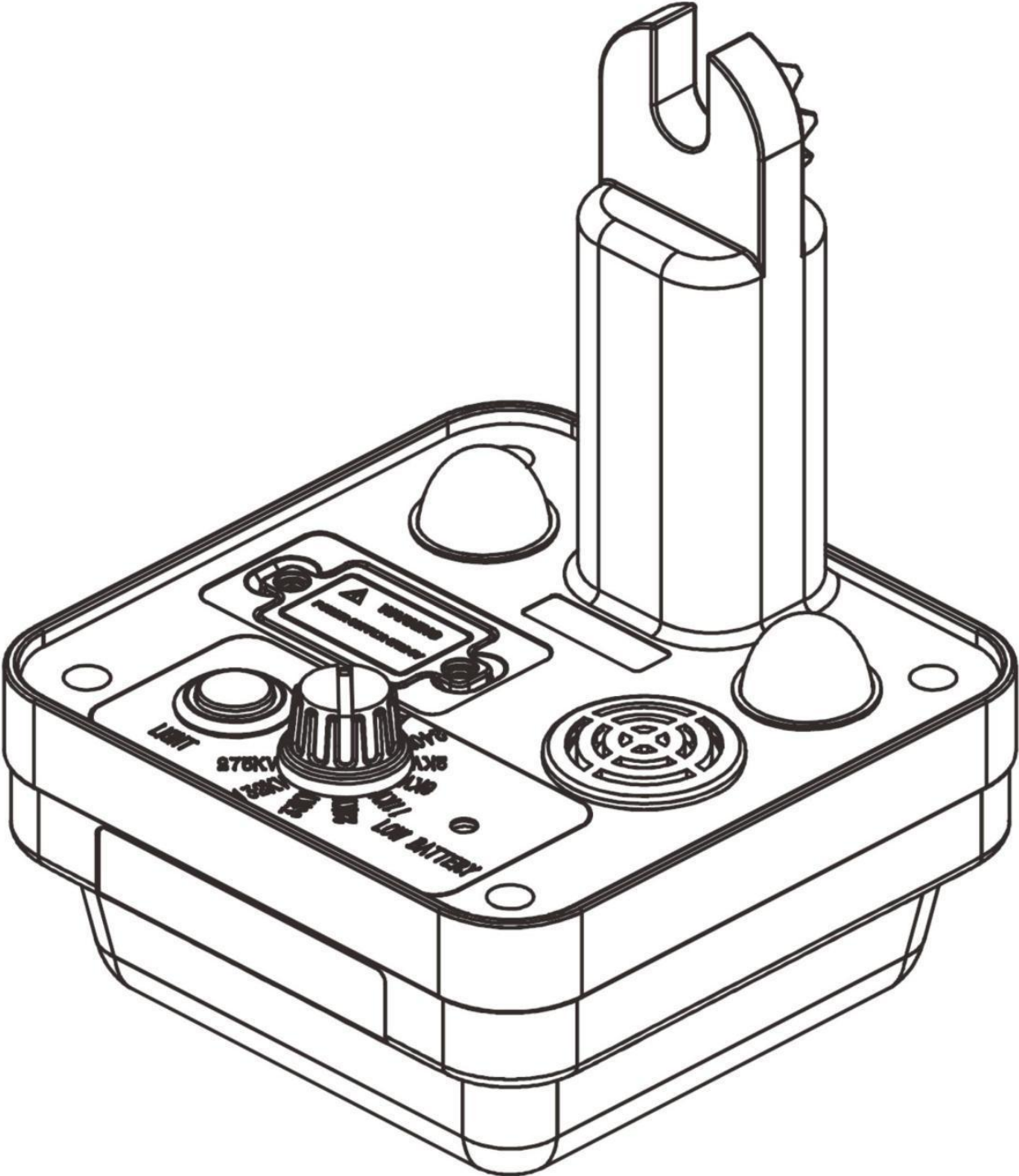


NON-CONTACT HIGH VOLTAGE DETECTOR



**ES9080
MANUAL**



Catalog

| | | |
|-------|------------------------------------|-------|
| I. | Safety rules and precautions | - 2 - |
| II. | Brief introduction | - 3 - |
| III. | Electrical symbols | - 3 - |
| IV. | Technical specifications | - 4 - |
| V. | Instrument structure | - 5 - |
| VI. | Operation method | - 6 - |
| | 1. Self check and Shutdown | - 6 - |
| | 2. Test | - 6 - |
| VII. | Battery replacement | - 7 - |
| VIII. | Packing list | - 8 - |

I. Safety rules and precautions



Thank you for purchasing our Non-contact High Voltage Detector. In order to use this product better, please be sure to:

——**Read this user manual in detail.**

——**Read this user manual carefully and strictly abide by the safety rules and precautions listed in this manual.**

- ◆ Before use, check whether the instrument is in good condition without damage. Before the battery cover is not covered, it is strictly prohibited to use it, otherwise there is a risk of electric shock.
- ◆ When using the instrument, the insulating rod must be connected for use, otherwise there is a risk of electric shock.
- ◆ The instrument is non-contact measurement, please do not directly contact with the high-voltage line.
- ◆ As the high-voltage line is very dangerous, the operator must be strictly trained.
- ◆ Pay attention to the label words and symbols of the instrument panel and the body.
- ◆ The battery voltage is low, please replace the battery in time.
- ◆ Do not use this instrument for a long time, please take out the battery.
- ◆ Replace the battery, pay attention to the battery polarity.
- ◆ To use, disassembly and maintenance of this instrument must be operated by authorized personnel.
- ◆ For the reason of this instrument, if it is dangerous to continue to use, it shall be stopped immediately and sealed immediately,

It shall be handled by authorized institutions.

- ◆ The user must follow the instructions for safe operation of the “” and “” danger sign on the instrument and manual.


II. Brief introduction


The **Non-contact High Voltage Detector** is safe and reliable with contactless design, which is used to check whether there is AC high voltage and low voltage. The instrument has the functions of sound prompt, light prompt, self check, compatibility with most insulating rods, etc. The whole machine is beautiful, high-end, wide range, easy to use, convenient to carry, high-precision, reliable, stable performance, strong anti-interference ability.

The **Non-contact High Voltage Detector** has IP65 protection grade and shockproof structure, which is suitable for the harsh working environment. It is suitable for the non-contact detection of live voltage, the detection of cable fault, the inspection and detection of live high-voltage cable, the tracking of field wires, the detection of residual voltage or induced voltage and other detection needs.

The **Non-contact High Voltage Detector** has 8 voltage detection levels, and the rated test voltage range is 380v-550kv.

III. Electrical symbols

| | |
|---|--|
|  | Extremely dangerous! The operator must strictly abide by the safety rules, otherwise there is a risk of electric shock, causing personal |
|---|--|

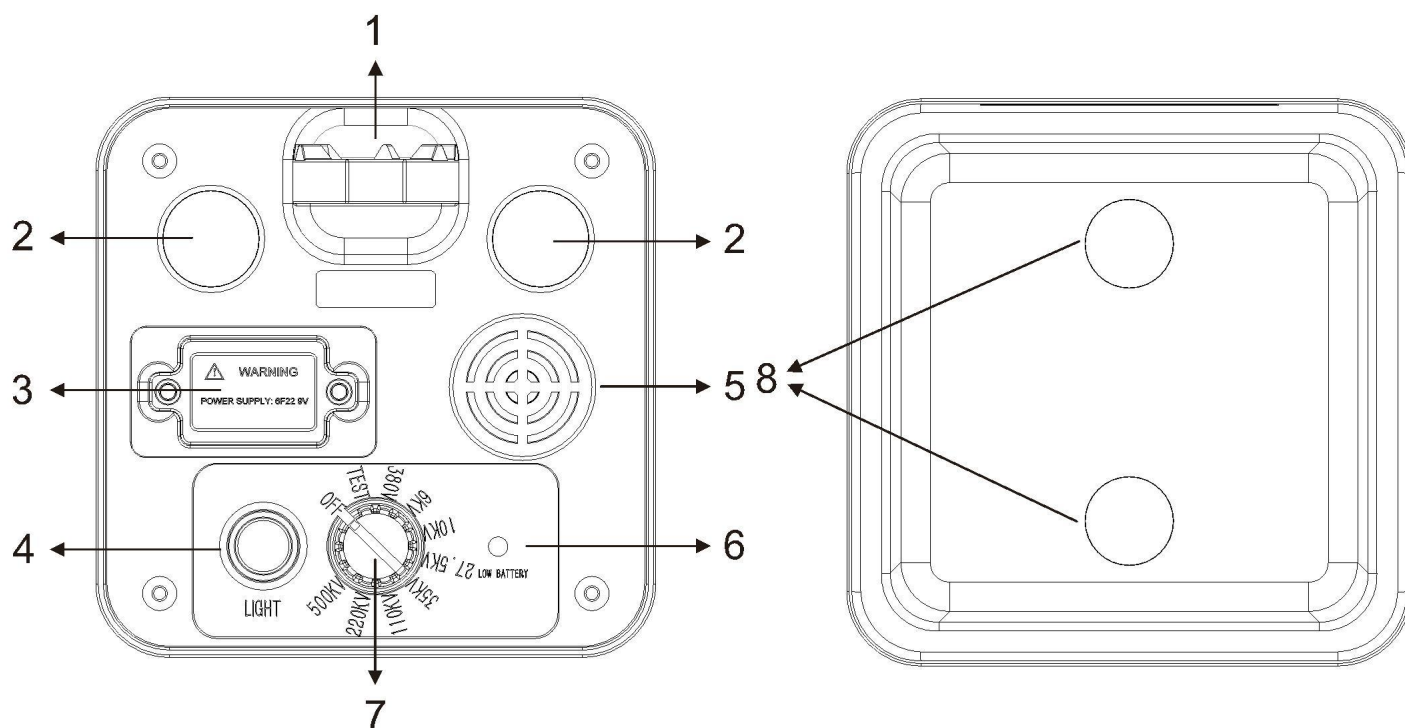
| | |
|---|---|
| | injury or casualties. |
|  | Warning! Safety rules must be strictly observed, otherwise personal injury or equipment damage will be caused |

IV. Technical specifications

| | |
|---|---|
| Function | Voltage detection, cable tracking |
| Power Supply | DC 9V (6F22 1PC) |
| Reference Conditions | 23°C±5°C, Below75%rh |
| Voltage Ranges | 380V; 6KV; 10KV; 27.5KV; 35KV; 110KV; 220KV; 500KV |
| Measurement method | Non-contact test |
| Ranges shift | Manual shift |
| Wire location | The measured wire is facing the side with lighting lamp |
| Instrument size | 115mm (L)×115mm (W)×169mm (H) |
| protection class | IP65 |
| Indicating function | Sound and light Indicating when the detection voltage exceeds the setting voltage |
| Power consumption | Max: 65mA |
| Weight | 365g (Including battery) |
| Operating temperature and humidity | -10°C~+50°C<85%RH |

| | |
|---|---|
| Storage temperature and humidity | -15°C ~ +55°C < 90%RH |
| Low battery indicating | Have. When the power is low, the instrument emits a low-power light prompt |
| Battery voltage | When the battery voltage drops to about 5.5V, the low battery voltage signal prompts to replace the battery |
| Safety regulations | EN 61326-1 CISPR 11 EN 61000-4-2 EN 61000-4-3 EN 61000-4-8 |

V. Instrument structure

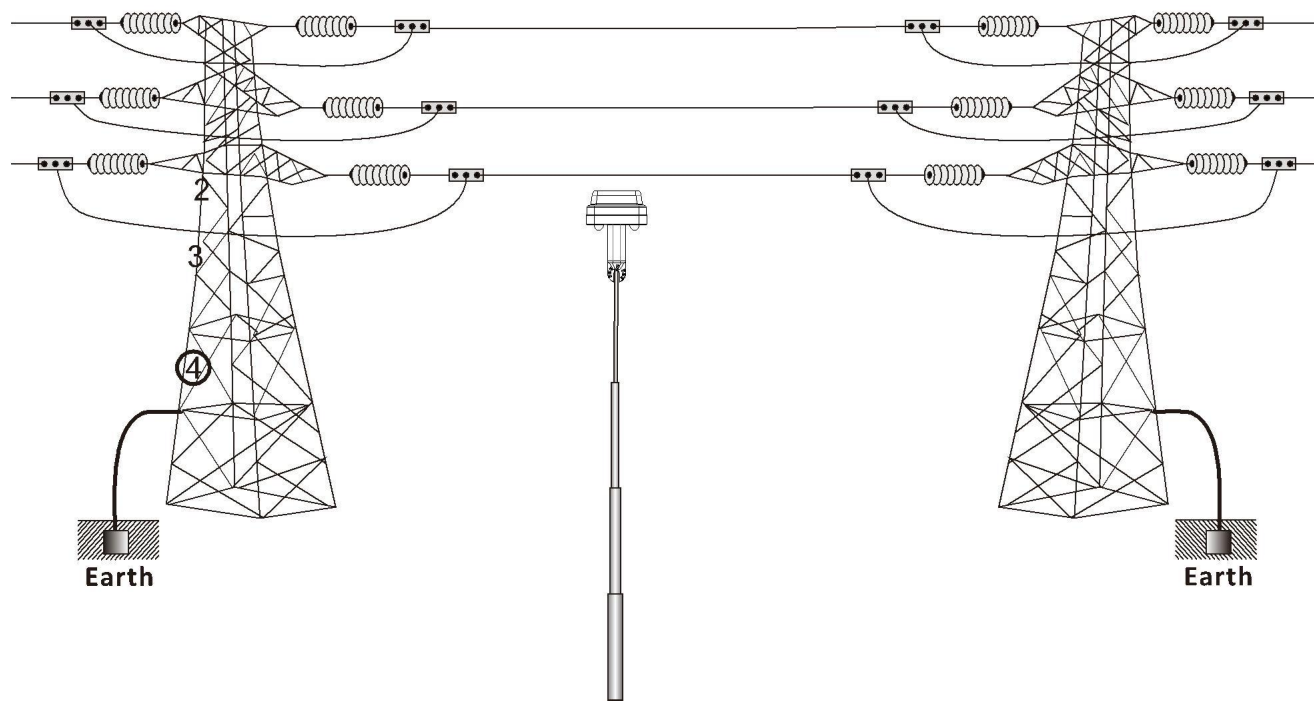


1、 Insulating rod joint 2、 LED Indicator 3、 Battery cover

4、 Light switch 5、 Buzzer 6、 Low battery indicator 7、 Range switch

8、 LED Light

VI. Operation method




1. Self check and Shutdown

Rotate the switch to the **TEST** position, the instrument self checks, the buzzer and LED indicator light give out sound light prompt, and the instrument works normally. Turn the switch to the **OFF** position to shut down the instrument. If the low power indicator light of the instrument gives a light prompt, please replace the battery in time.

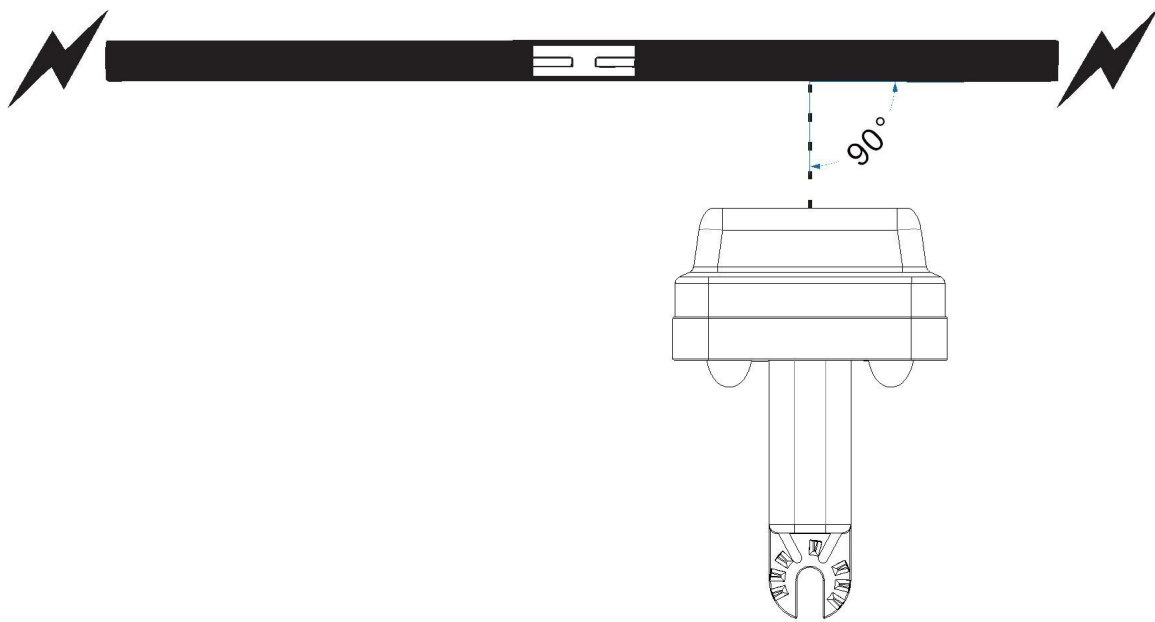
2. Test

Connect the instrument to the insulating rod, turn the switch to the corresponding voltage range to start the test, and then place the LED side of the instrument close to the object to be tested. If the instrument sends

out the sound light prompt, the object to be tested has the corresponding or higher voltage, and the test is completed.

| | |
|---|--|
|  | <p>Before the test, connect the insulating rod. The insulating rod must be connected in place, Finally, connect the detector to avoid the impact between the instrument and the ground.</p> |
| | <p>Always connect the instrument with a special insulating rod.</p> |
| | <p>When the test is finished, the insulating rod shall be tilted along the trend, the detector shall be removed first, and then the insulating rod shall be removed to avoid the impact between the detector and the ground.</p> |

The detection method is shown in the figure:




Note: the reminding distance is about 5cm when testing 380V voltage

The corresponding voltage reminder distance for other range tests is about 20cm

The closer the instrument is to the wire, the lower the voltage will be

VII. Battery replacement

| | |
|---|--|
|  | <p>Warning! If the battery cover plate is not covered properly, it cannot be tested, otherwise it is dangerous.</p> |
| | <p>Pay attention to the battery polarity, otherwise the instrument will be damaged.</p> |
| | <p>The battery is low, please replace it in time.</p> |

| |
|---|
| <p>Do not use the meter for a long time, please take out the battery.</p> |
|---|

1. When the battery power is insufficient, the instrument displays the low battery voltage signal, please replace the battery.
2. Turn the switch to the **OFF** position to shut down the instrument, confirm that the instrument is in the off state, open the battery cover, and pay attention to the battery model, replace with a new and qualified battery, and cover the battery cover.

VIII. Packing list

| | |
|---------------------------------|---------------|
| Instrument | 1 PC |
| Battery | 9V (6F22 1PC) |
| Manual and warranty card | 1 PC |



GuangZhou ZhengNeng Electronics Technology Co.LTD

Address: 4F,No.771Guangcong 8th road, Zhongluotan,Baiyun District, Guangzhou,Guangdong,China

Tel: 86-20-36544172

Email: hsh@znele.com

Post: 510540

WebSite: www.fuzrr.com