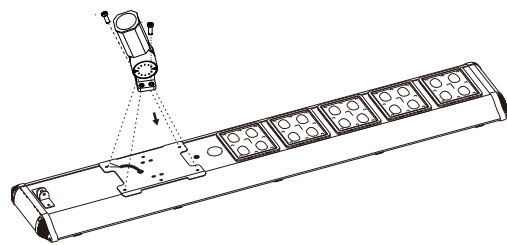


#### 4.INSTALLATION INSTRUCTIONS

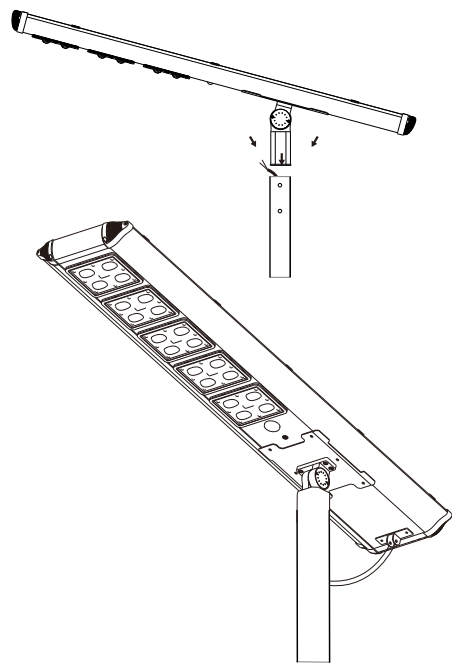
##### 4.1 The tailstock installation

Use the screws to fix the bracket on the lamp



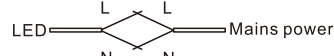
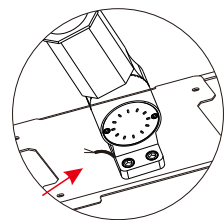
##### 4.2 Light pole installed

Use the screws to fix the lamp on the post



##### 4.3 Mains access

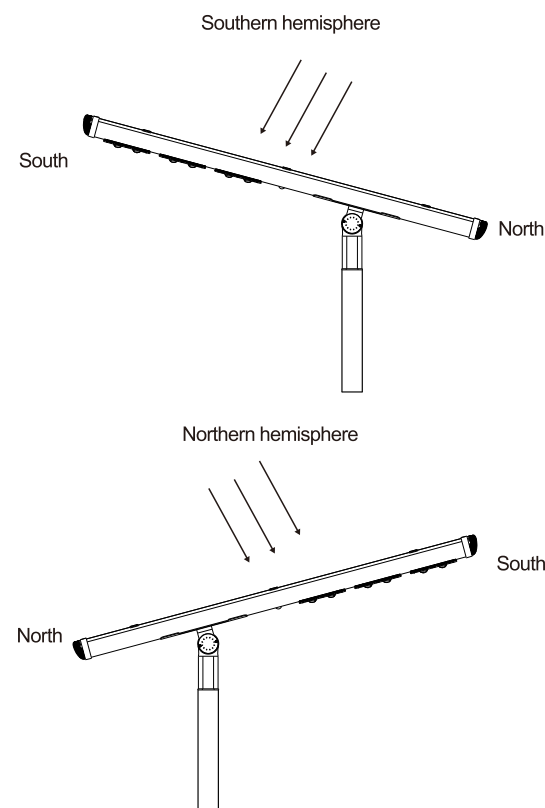
AC100-265V access port



1. Integrated solar street lights can't work without sunshine, Please choose suitable product model according to the sunlight intensity of the installed area or amount of solar radiation, and choose product model according to the actual lighting needs ;In the area where the sun is not enough or long-time continuous rainy day, the working time of the solar light will be reduced, this lamp design is mainly based on African average illumination time;

2. If install this product in the northern hemisphere, make solar panels as possible towards the south, in order to get maximum light energy; If it is in the southern hemisphere, installing solar panels towards the north. At the same time to avoid the shadow of houses, trees and other obstructions which will reduce the efficiency of the solar panel and shorten its work time.

3 When the solar energy is insufficient due to continuous rainy days, the system will switch the power supply to the mains to ensure that the LED is in the best state



#### 5.Warranty and after-service:

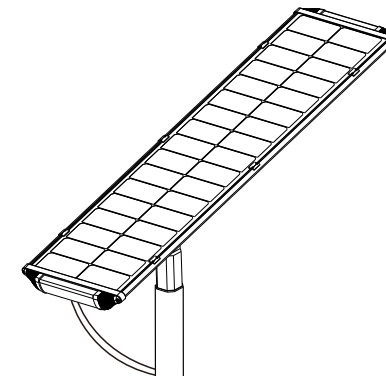
This product from the date of delivery, not artificial damage warranty for 60 months.



Make life full of hope

## User Manual

F1A Series  
All in one solar street light



358-010303-02

#### 1.INTEGRATED SOLAR STREET LIGHT INTRODUCTION

1.1 Integrated design and source, high capacity LiFePO4 lithium battery, high energy, and long life, light weights, green and environmental protection, do not produce any harmful substances.

1.2 Philips LED chip with high light efficiency which can reach 180LM/W, and whole lamp light efficiency can reach 160LM/W at least

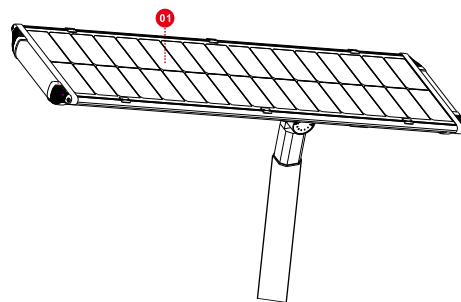
1.3 All series use MPPT controller with high efficiency

1.4 Design with high efficiency solar cell ( 22%)

1.5 Convenient installation and maintenance, no need of cable installation or special light pole, functional components modular design, installation and maintenance, convenient and quick replacement.

1.6 When the solar energy is insufficient due to continuous rainy days, the system will switch the power supply to the mains to ensure that the LED is in the best state

#### 2.Part description



01. Solar panel
02. LED light
03. Body induction
04. Switch
05. Tailstock
- 06.AC100V-265V access port

#### 3.The performance parameters

Model	F1A-100W	F1A-120W	Note
Solar module	105W(Mono)	110W(Mono)	
High capacity lithium battery	Built-in 888WH	Built-in 999WH	
luminous flux (All light pattern)	20800 lm	21600 lm	
Working Mode	Normal mode(default): 4H100% 4H50% 4H25% Induction mode(optional): All night Induction: 100% no induction: 20%		OEM according to the quantity
Solar panel charge time	8H strong sunlight		
Working	TimeAll light pattern	≥ 12 hours	
	Raining days backup	3 days	
Color temperature	6500K		
Induction angle	75°X 145°		
Light pole diameter	80mm		
Storage temperature	0-55°C		
Operating humidity	≤ 90%RH		
Working temperature	Charge temperature	0-55°C	
	Discharge temperature	-10°C-60°C	
IP Grade	Ip65		
Ingress Protection	Yes	Yes	
Recommend Installation height	10-12M	10-12M	
Product Package dimensions	1825*449*301mm	1905*449*301mm	2PCS/CTN
Product Gross weight	33.7 KG	36.7 KG	2PCS/CTN
Tailstock Package dimensions	425*275*95mm		4PCS/CTN
Tailstock Gross weight	9.2 KG	9.2 KG	4PCS/CTN
Light distribution curve			