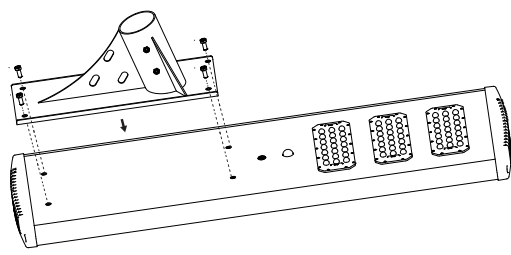
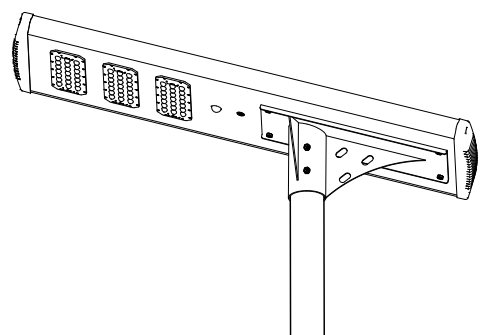
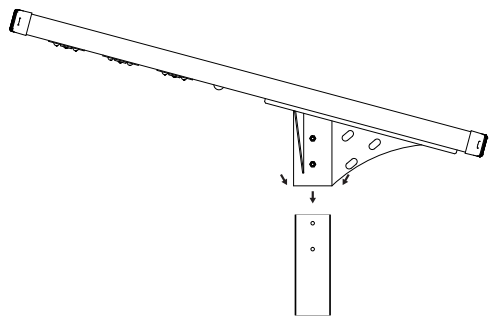


4.INSTALLATION INSTRUCTIONS

4.1 The tailstock installation
Use the screws to fix the bracket on the lamp



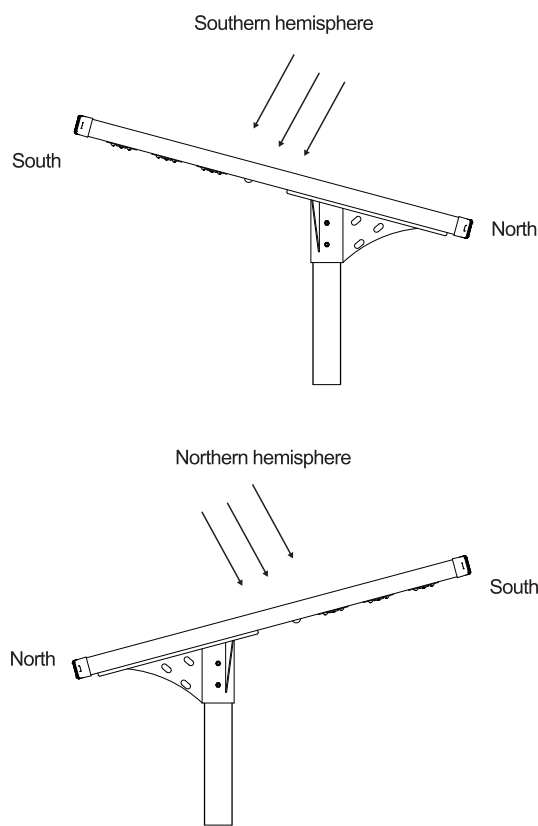
4.2 Light pole installed
Use the screws to fix the lamp on the post



Successful installation

1. Integrated solar street lights can't work without sunshine, Please choose suitable product model according to the sunlight intensity of the installed area or amount of solar radiation, and choose product model according to the actual lighting needs ;In the area where the sun is not enough or long-time continuous rainy day, the working time of the solar light will be reduced, this lamp design is mainly based on African average illumination time;

2. If install this product in the northern hemisphere, make solar panels as possible towards the south, in order to get maximum light energy; If it is in the southern hemisphere, installing solar panels towards the north. At the same time to avoid the shadow of houses, trees and other obstructions which will reduce the efficiency of the solar panel and shorten its work time.



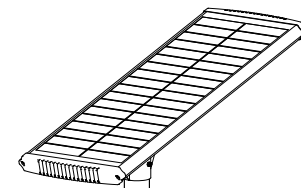
5.Warranty and after-service:

This product from the date of delivery, not artificial damage warranty for 36 months.



User Manual

P2 Series
All in one solar street light

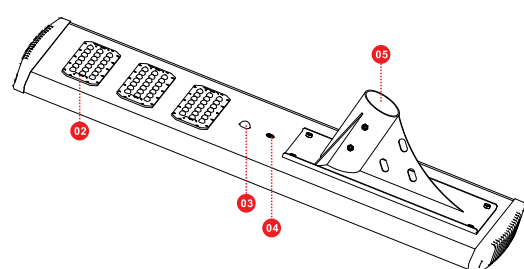
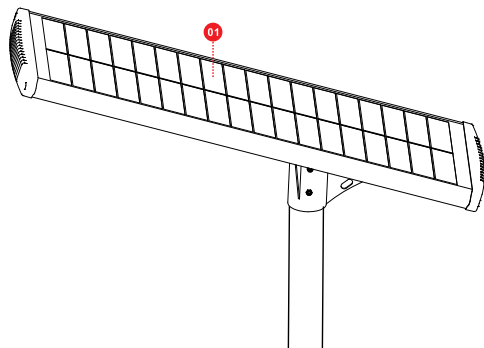


358-010021-02

1.INTEGRATED SOLAR STREET LIGHT INTRODUCTION

- 1.1 Integrated design and source, high capacity LiFePO4 lithium battery, high energy, and long life, light weights, green and environmental protection, do not produce any harmful substances.
- 1.2 Philips LED chip with high light efficiency which can reach 180LM/W, and whole lamp light efficiency can reach 160LM/W at least
- 1.3 All series use intelligent controller which can increase 15%-30% charge efficiency
- 1.4 Design with high efficiency solar cell (>22%)
- 1.5 Convenient installation and maintenance, no need of cable installation or special light pole, functional components modular design, installation and maintenance, convenient and quick replacement.

2.Part description



1. Solar panel
2. LED light
3. Body induction
4. Switch
5. Tailstock

3.The performance parameters

Model	P2-40W	P2-60W	P2-80W	Note
Solar module	55W (Mono)	60W (Mono)	80W (Mono)	
High capacity lithium battery	Built-in 260WH	Built-in 320WH	Built-in 400WH	
luminous flux (All light pattern)	4800lm	7200lm	9600lm	
Working Mode	Normal mode(default): 3H100% 4H50% 5H25% Induction mode(optional): No induction or customization			OEM according to the quantity
Solar panel charge time	8H strong sunlight			
Working	TimeAll light pattern	≥ 12 hours		
	Raining days backup	3 days		
Color temperature	6500K			
Induction angle	70°X 140°			
Light pole diameter	60mm			
Storage temperature	0-55℃			
Operating humidity	≤ 90%RH			
Working temperature	Charge temperature	0-55℃		
	Discharge temperature	-10℃-60℃		
Ingress Protection	Ip65			
Support bracket	No			
Recommend Installation height	3-5m	3-6m	5-7m	
Product Package dimensions	1040*406*168mm	1151*406*168mm	1451*406*168mm	2PCS/CTN
Product Gross weight	19.2KG	23.1 KG	28.8KG	2PCS/CTN
Tailstock Package dimensions	330*247*208mm	470*234*198mm		2PCS/CTN
Tailstock Gross weight	5.5KG	7.2 KG		2PCS/CTN
Light distribution curve				