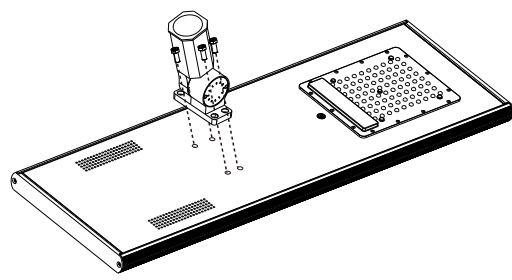


#### 4.INSTALLATION INSTRUCTIONS

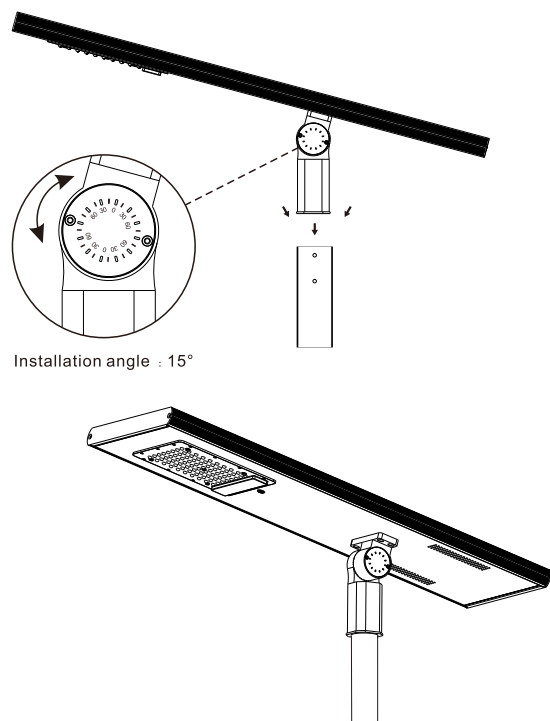
##### 4.1 The tailstock installation

Use the screws to fix the bracket on the lamp



##### 4.2 Light pole installed

Use the screws to fix the lamp on the post

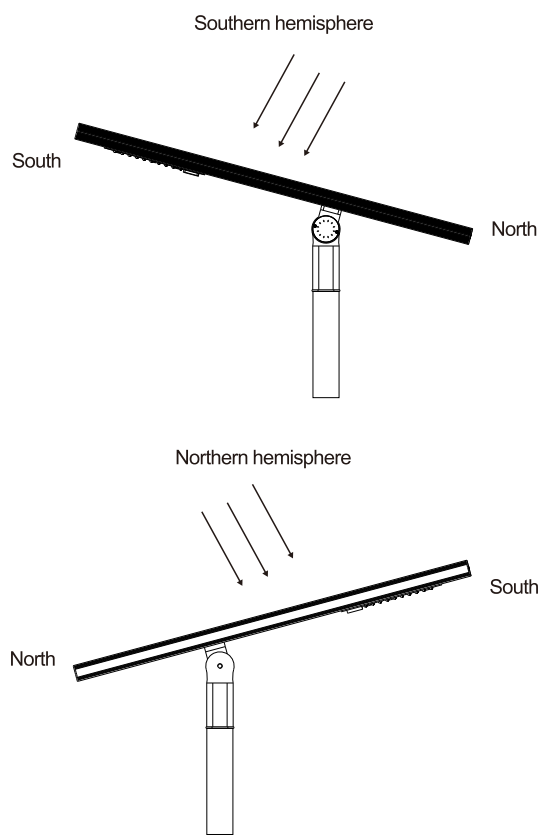


Installation angle : 15°

Successful installation

1. Integrated solar street lights can't work without sunshine, Please choose suitable product model according to the sunlight intensity of the installed area or amount of solar radiation, and choose product model according to the actual lighting needs ;In the area where the sun is not enough or long-time continuous rainy day, the working time of the solar light will be reduced, this lamp design is mainly based on African average illumination time;

2. If install this product in the northern hemisphere, make solar panels as possible towards the south, in order to get maximum light energy; If it is in the southern hemisphere, installing solar panels towards the north. At the same time to avoid the shadow of houses, trees and other obstructions which will reduce the efficiency of the solar panel and shorten its work time.



#### 5.Warranty and after-service:

This product from the date of delivery, not artificial damage warranty for 36 months.

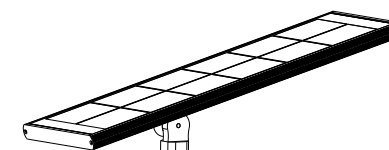


Make life full of hope

## User Manual

P3 Series

All in one solar street light



358-010196-00

#### 1.INTEGRATED SOLAR STREET LIGHT INTRODUCTION

1.1 Integrated design and source, high capacity LiFePO4 lithium battery, high energy, and long life, light weights, green and environmental protection, do not produce any harmful substances.

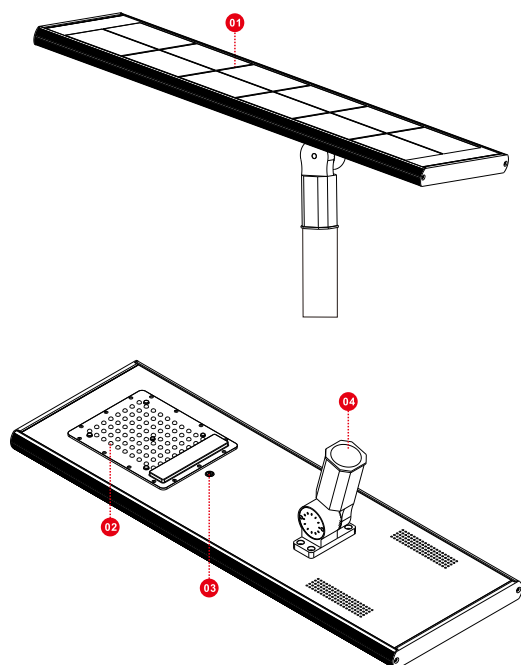
1.2 Philips LED chip with high light efficiency which can reach 180LM/W, and whole lamp light efficiency can reach 160LM/W at least

1.3 All series use PWM controller with high efficiency

1.4 Design with high efficiency solar cell (>22%)

1.5 Convenient installation and maintenance, no need of cable installation or special light pole, functional components modular design, installation and maintenance, convenient and quick replacement.

#### 2.Part description



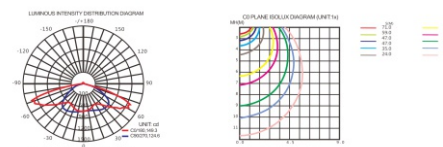
1. Solar panel  
3. Switch

2. LED light  
4. Tailstock

#### 3.The performance parameters

Model	P3-60W	P3-80W	Note
Solar module	60W(Mono)	80W (Mono)	
High capacity lithium battery	Built-in 260WH	Built-in 320WH	
luminous flux (All light pattern)	7200 lm	9600lm	
Working Mode	Normal mode : 3H100%,4H50%,5H25%		OEM according to the quantity
Solar panel charge time	8H strong sunlight		
Working	TimeAll light pattern	≥ 12 hours	
	Raining days backup	3 days	
Color temperature	6500K		OEM according to the quantity
Induction angle	70°X 140°		
Light pole diameter	60mm		
Storage temperature	0-55℃		
Operating humidity	≤ 90%RH		
Working temperature	Charge temperature	0-55℃	
	Discharge temperature	-10℃-60℃	
Ingress Protection	Ip65		
Support bracket	No		
Recommend Installation height	3-6m	5-7m	
Recommend Installation spacing	15-20m	20-25m	
Product Package dimensions	1092*370*130mm	1400*375*137mm	2PCS/CTN
Product Gross weight	21.4 KG	27 KG	2PCS/CTN
Tailstock Package dimensions	425*275*95mm		4PCS/CTN
Tailstock Gross weight	7.2 KG		4PCS/CTN

#### Light distribution curve



#### Product features

1. High efficient solar cells, each solar cell has a perfect IV curve, and the conversion efficiency is as high as 22%;
2. The built-in lithium iron phosphate battery has a discharge depth of 95%. The lifespan could be 15 years under the discharge rate less than 0.5c condition and safety factor is very high;
3. With high lumen led, the light efficiency is higher and the service life is up to 50000 hours;
4. Imported PC outdoor optical lens and unique secondary optical design make the lighting area wider and the light color more uniform;
5. The angle can be adjusted during installation, which is more conducive to absorbing light energy and improving charging efficiency;
6. IP65 protection grade;