

ELECTRODE

compatible with ANSOTT

Electrode, loop A3111 A3111.1 30°

A3114 Electrode, straight loop

A3122 Electrode, Roller

A3123 Electrode, spike

Electrode, spud A3124 A3124.1 30°

A3125 Electrode, needle

A3126 Electrode, ball

compatible with STORZ

1-DS-24 Electrode, straight loop

1.2-DS-24 loop 90°
1.3-DS-24 loop 30°

2-DS-24 Electrode, needle

3.1-DS-24 Electrode, spud

4-DS-24 Electrode, Roller

5-DS-24 Electrode, spike

6-DS-24 Electrode, ball

compatible with OLYMPUS

1-DO-24 Electrode, straight loop

Electrode, loop 1.2-DO-24
1.3-DO-24 30°

2-DO-24 Electrode, needle

3-DO-24 Electrode, spud

4-DO-24 Electrode, Roller

5-DO-24 Electrode, spike

6-DO-24 Electrode, ball

compatible with WOLF

1-DW-24 Electrode, loop

Electrode, loop 1.2-DW-24
1.3-DW-24 30°

2-DW-24 Electrode, needle

3-DW-24 Electrode, spud

4-DW-24 Electrode, Roller

5-DW-24 Electrode, spike

6-DW-24 Electrode, ball

compatible with CIRCOU

1-DUS-24 Electrode, loop

Electrode, loop 1.2-DUS-24 30°
1.3-DUS-24

2-DUS-24 Electrode, needle

3-DUS-24 Electrode, spud

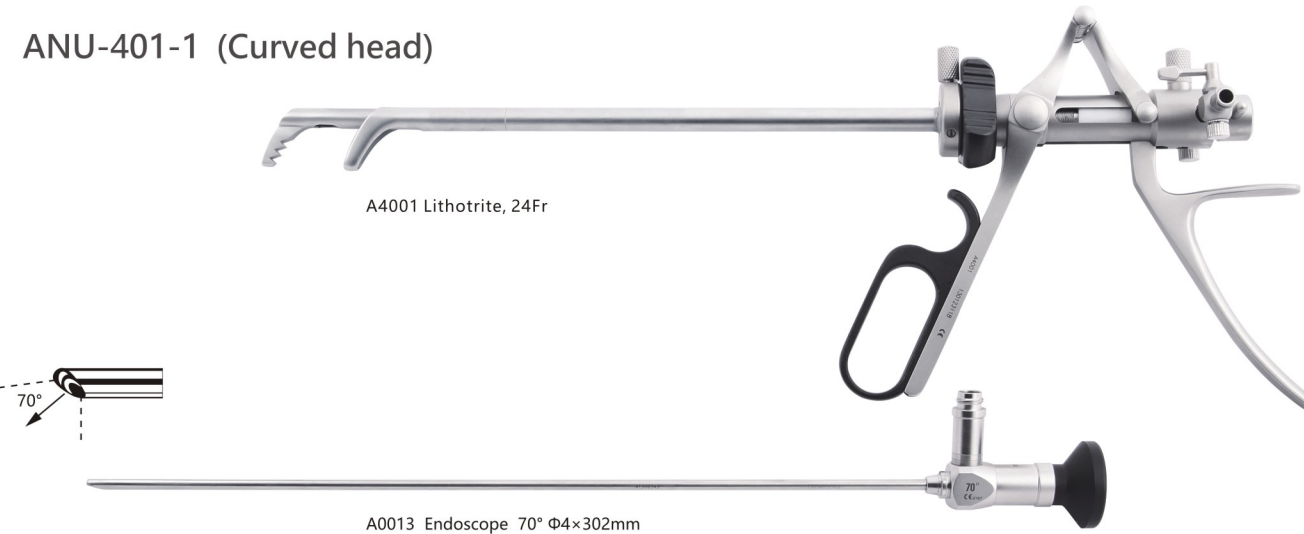
4-DUS-24 Electrode, Roller

5-DUS-24 Electrode, spike

6-DUS-24 Electrode, ball

LITHOTRIPTOSCOPY SET

ANU-401-1 (Curved head)



ANU-401-2 (Straight)



ANU-401-1/ANU-401-2- Lithotripsy interchangeable parts



For full version of our brochure, please contact us

Shangrao WS Medtech Co.,Ltd.

No.9 Xingye Ave., ETDZ, Shangrao, Jiangxi Prov. 334199, China
TEL:+86 13967199112 EMAIL: shaw0017@gmail.com



UROLOGY RIGID ENDOSCOPIC INSTRUMENTS RESECTOSCOPY-LITHOTRIPTOSCOPY- URETHROTOMY

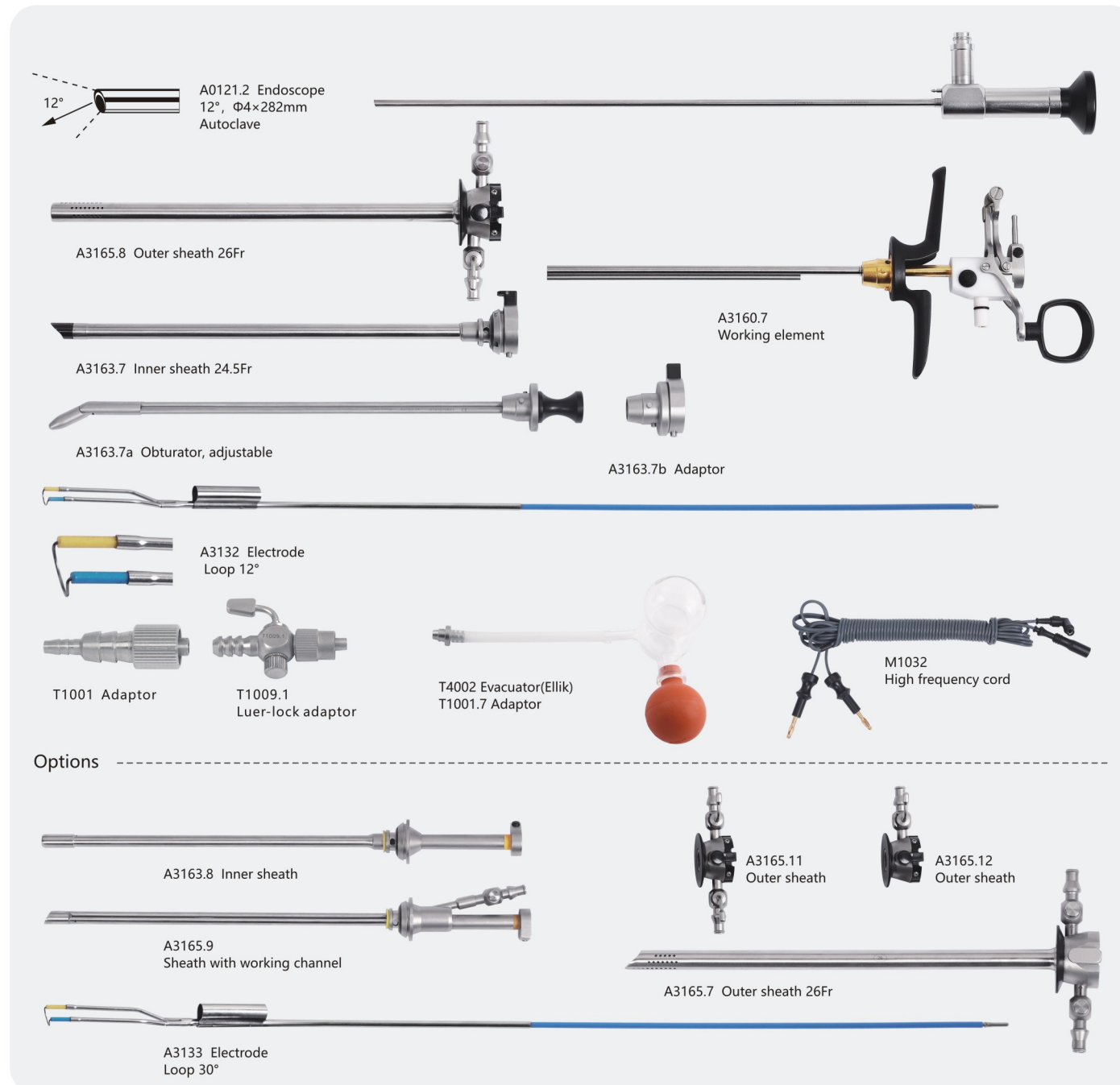
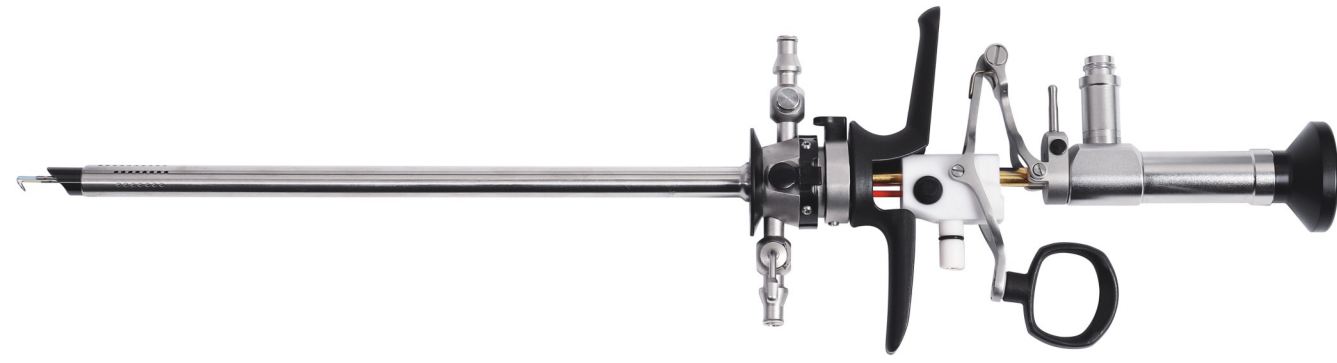
- High resolution
- Durability
- High compatibility with several Brands

OUTSTANDING QUALITY IN ENDO-UROLOGY OPERATION

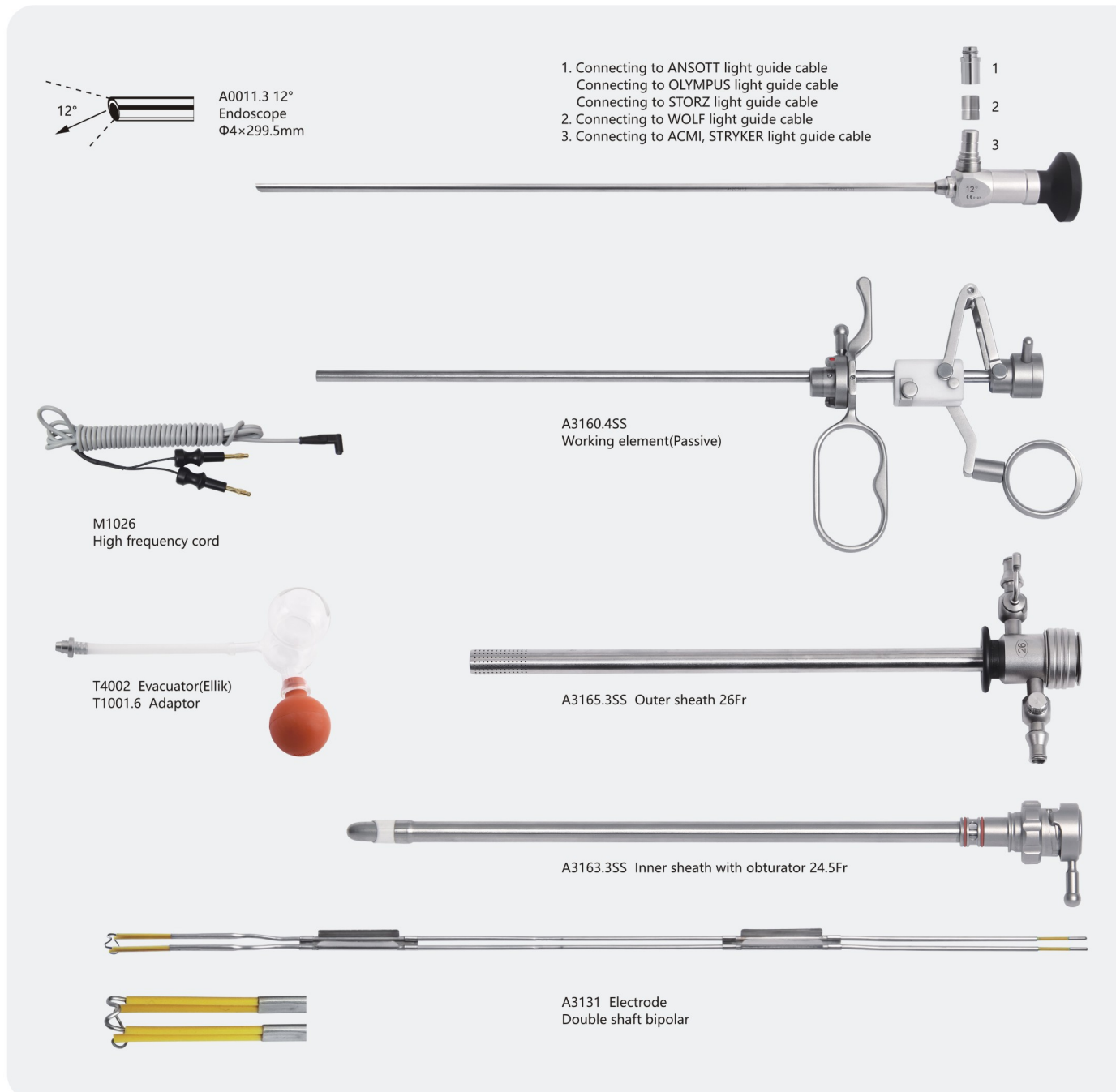
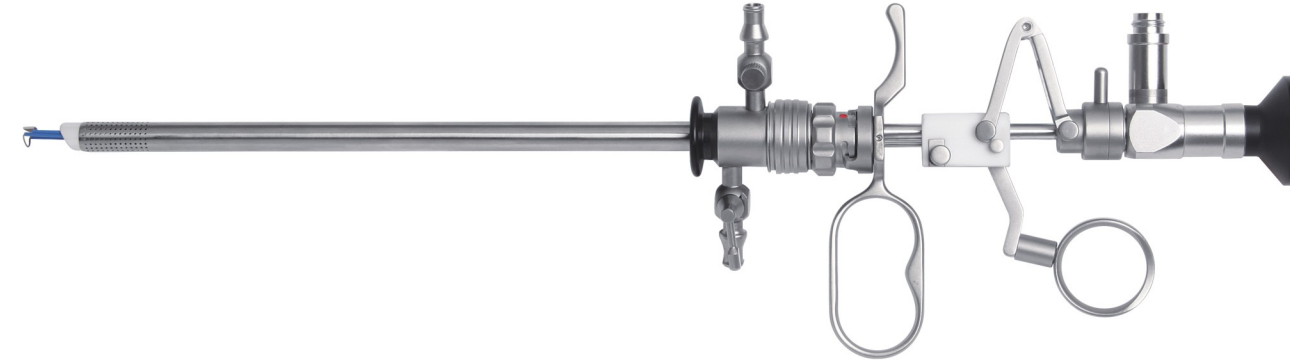


Shangrao WS Medtech Co.,Ltd.

ANU-102-2 RESECTOSCOPY SET



ANU-102-1 RESECTOSCOPY SET (CLICK/BIPOLAR)



ANU-301 URETHROTOMY SET (LOCKABLE)

