

## Technical Information

Featuring an innovative optical design that incorporates high-precision cylindrical lenses and advanced coating technology, this system delivers exceptional image sharpness and true-to-life color performance. Its optically optimized architecture enhances resolution while ensuring accurate color reproduction, providing clearer and more realistic visual representation for clinical observation.

1.High-performance optical fibers are individually selected based on application requirements, ensuring superior light transmission efficiency. The integrated laser welding technology enables optimal alignment between the fiber end face and the endoscope's field of view, resulting in uniform and shadow-free illumination in the operational area.

2.The endoscope is constructed with high-quality, non-corrosive German stainless steel tubing and assembled using state-of-the-art laser welding technology, offering robust durability and significantly extending the product's service life.

3.The rear optical interface is protected with scratch-resistant sapphire glass, and both the front and rear ends are hermetically welded to guarantee absolute sealing of the optical system.

4.All endoscopes and components undergo rigorous hermeticity testing verified through an internally developed helium-based leak detection procedure.

5.They support full autoclaving at 134°C / 273°F for up to 500 cycles.

6.Compliant with ISO 13485 standards.

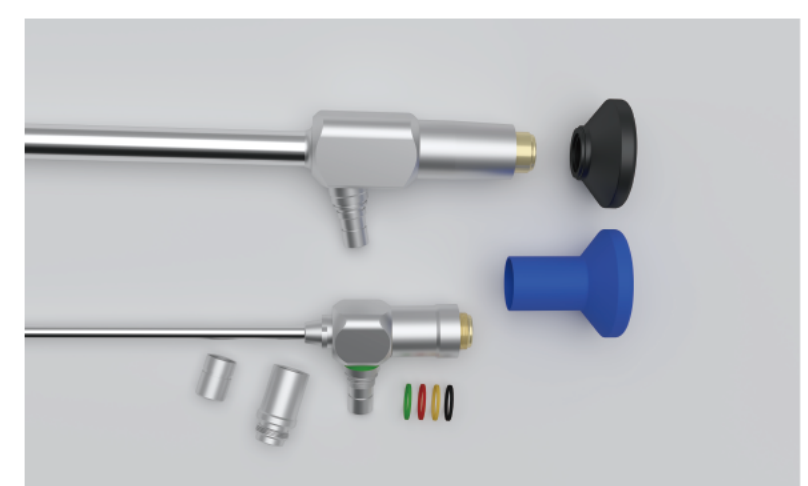
## OEM Customization



Customize Your Exclusive Logo




Customized Protective Sleeve Designed Exclusively for You




Customized Eye Mask Tailored to Your Needs


**Laparoscope 5mm HD** **Autoclavable**

Description 	Length	Field of view	Model
HD Laparoscope 5mm 0°	305 mm	68°	F500WH
HD Laparoscope 5mm 30°	305 mm	68°	F503WH

**Laparoscope 5.5mm 4K (NIR/ICG) Autoclavable**


Description 	Length	Field of view	Model
4K Laparoscope 5.5mm 0°	305 mm	72°	F550F4
4K Laparoscope 5.5mm 30°	305 mm	72°	F553F4

**Laparoscope 10mm 4K Autoclavable**

Description 	Length	Field of view	Model
4K Laparoscope 10mm 0°	325 mm	80°	F100W4
4K Laparoscope 10mm 30°	325 mm	80°	F103W4

Available with [NIR/ICG](#) functionality

**Laparoscope 10mm 4KO Autoclavable**

Description 	Length	Field of view	Model
4KO Laparoscope 10mm 0°	327 mm	73°	F100W40
4KO Laparoscope 10mm 30°	327 mm	73°	F103W40