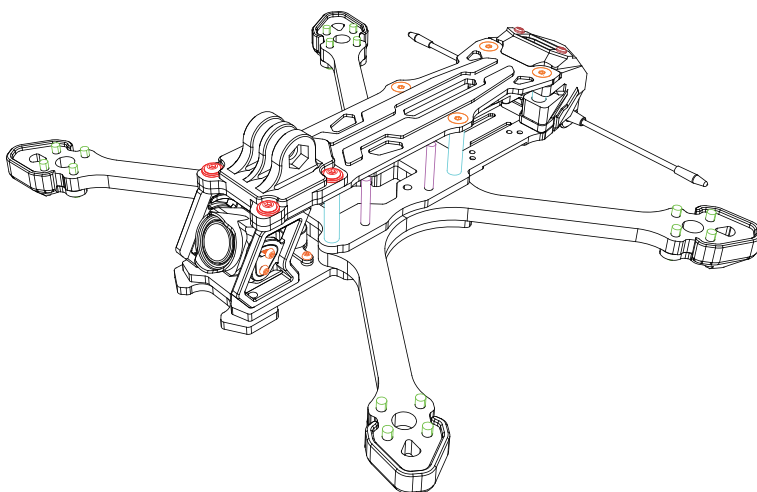
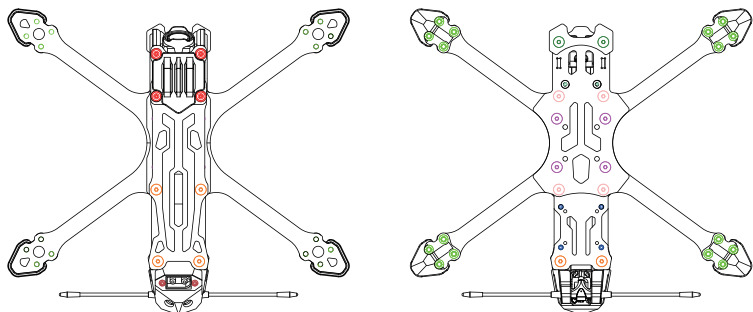


配件清单

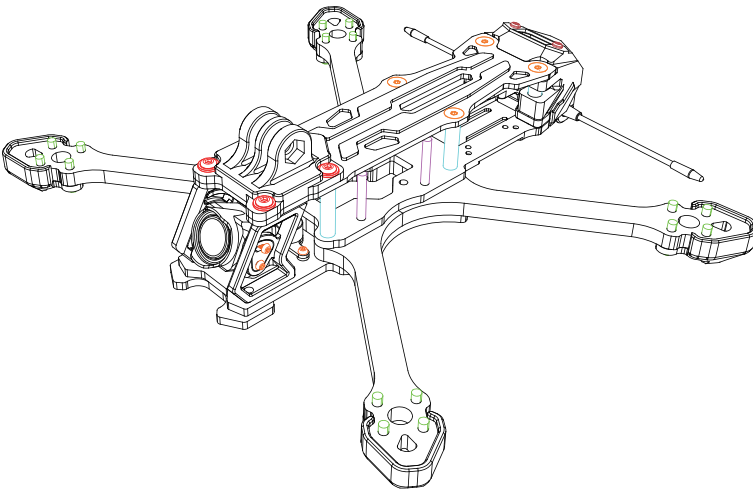
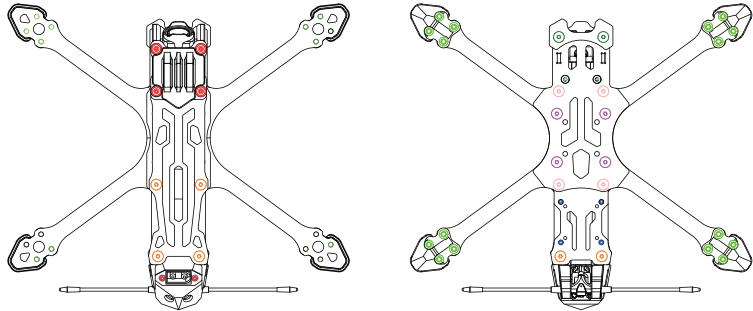


上碳板	X1	狗座打印件	X1	O4 PRO版本增加	
中碳板	X1	BB响打印件	X1	通用机尾打印件	X1
下碳板	X1	通用接收机天线座打印件	X1	O4 PRO 镜头转换铝件R	X1
机臂	X4	XT60EW-M公头绝缘打印件	X1	O4 PRO 镜头转换铝件L	X1
防护板	X1	束线管	X4	O4 lite 摄像头垫片打印件	X2
摄像头铝件L	X1	AXIS熊猫贴纸1	X1	M2*3mm沉头内六角螺丝	X4
摄像头铝件R	X1	AXIS熊猫贴纸2	X1	M2*5mm半圆头内六角螺丝	X4
通用注塑脚垫	X4	蜂鸣器	X1	M2*10mm半圆头内六角螺丝	X4
注塑前侧板R	X1	防滑硅胶电池绑带	X2	模拟/O4 lite版本增加	
注塑前侧板L	X1			通用机尾打印件	X1
通用注塑后侧板R	X1			O4 lite 摄像头垫片打印件	X2
通用注塑后侧板L	X1			摄像头垫片打印件	X2
电池防滑垫R	X1			M2*5mm半圆头内六角螺丝	X4
电池防滑垫L	X1			● M2*6mm半圆头内六角螺丝	X4
● M2.5*8mm沉头内六角螺丝	X2			M2*10mm半圆头内六角螺丝	X4
● M2*6mm半圆头内六角螺丝	X2			O3版本版本增加	
M3尼龙螺母	X4			通用机尾打印件	X1
● M3*20mm铝柱	X6			● M1.6x8mm杯头内六角螺丝	X4
● M3*8mm半圆头内六角带垫螺丝	X4			O3 摄像头垫片	X2
● M3*10mm半圆头内六角螺丝	X16			M2*5mm半圆头内六角螺丝	X4
● M3*6mm沉头内六角螺丝	X6				
● M3*10mm沉头内六角螺丝	X2				
● M3*16mm沉头内六角螺丝	X4				
● M3*30mm沉头内六角螺丝	X4				
M5法兰不锈钢螺母	X1				
M5*20mm平头内六角不锈钢螺丝	X1				
定制电源线	X1				

机架参数

轴距	223mm
支持桨叶	最大5.1"
飞塔安装	20mm(M3)&30.5mm(M3)
电机安装	16mm*16mm/M3
摄像头安装	14-20mm
电设层高度	20mm
碳纤维板	T700
上板厚度	2mm
中板厚度	3mm
下板厚度	3mm
机臂厚度	5.5mm
图传安装	20mm&25.5mm(M2)
机架重量	155+5g(含打印件)

Accessory List



Top Carbon Plate	X1	GoPro Mount 3D Printed Part	X1
Middle Carbon Plate	X1	Beeper Bracket 3D Printed Part	X1
Bottom Carbon Plate	X1	Universal Receiver Antenna Mount 3D Printed Part	X1
Arm	X4	XT60EW-M Male Insulator 3D Printed Part	X1
Protection Plate	X1	Cable Sleeve	X4
Camera Aluminum Mount (L)	X1	AXIS Panda Sticker 1	X1
Camera Aluminum Mount (R)	X1	AXIS Panda Sticker 2	X1
Universal Injection-Molded Foot Pad	X4	Buzzer	X1
Injection-Molded Front Side Plate (R)	X1	Anti-Slip Silicone Battery Strap	X2
Injection-Molded Front Side Plate (L)	X1		
Universal Injection-Molded Rear Side Plate (R)	X1		
Universal Injection-Molded Rear Side Plate (L)	X1		
Battery Anti-Slip Pad (R)	X1		
Battery Anti-Slip Pad (L)	X1		
M2.5*8mm Countersunk Hex Screw	X2		
M2*6mm Button Head Hex Screw	X2		
M3 Nylon Nut	X4		
M3*20mm Aluminum Standoff	X6		
M3*8mm Button Head Hex Screw with Washer	X4		
M3*10mm Button Head Hex Screw	X16		
M3*6mm Countersunk Hex Screw	X6		
M3*10mm Countersunk Hex Screw	X2		
M3*16mm Countersunk Hex Screw	X4		
M3*30mm Countersunk Hex Screw	X4		
M5 Flange Stainless Steel Nut	X1		
M5*20mm Flat Head Hex Stainless Steel Screw	X1		
Custom power cable	X1		

For O4 PRO Version Added

Universal Tail 3D Printed Part	X1
O4 PRO Lens Adapter Aluminum Part (R)	X1
O4 PRO Lens Adapter Aluminum Part (L)	X1
O4 Lite Camera Spacer 3D Printed Part	X2
M2*3mm Countersunk Hex Screw	X4
M2*5mm Button Head Hex Screw	X4
M2*10mm Button Head Hex Screw	X4

For Analog/O4 Lite Version Added

Universal Tail 3D Printed Part	X1
O4 Lite Camera Spacer 3D Printed Part	X2
Camera Spacer 3D Printed Part	X2
M2*5mm Button Head Hex Screw	X4
M2*6mm Button Head Hex Screw	X4
M2*10mm Button Head Hex Screw	X4

For O3 Version Added

Universal Tail 3D Printed Part	X1
M1.6*8mm Cup Head Hex Screw	X4
O3 Camera Spacer	X2
M2*5mm Button Head Hex Screw	X4

Frame parameters

Wheelbase	223mm
Supported Prop Size	Max 5.1"
Stack installation	20mm(M3)&30.5mm(M3)
Motor Installation	16mm*16mm/M3
Camera Installation	14-20mm
Max Stack Height	20mm
carbon fiber plate	T700
Top plate thickness	2mm
center plate thickness	3mm
Bottom plate thickness	3mm
Arm Thickness	5.5mm
VTX Installation	20mm&25.5mm(M2)
Frame Weight	155+5g(Includes printouts)