

WARNING!

This dimmable driver is to be installed in accordance with Article 450 of the National Electric Code and installed by a qualified and professional electrician. Please make sure the driver is stalled with adequate ventilation around it to allow for heat dissipation. Failure to install this device properly may result in electrical shock or fire.

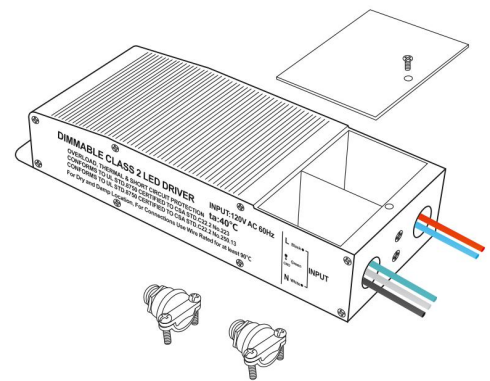
BEFORE YOUR START

1. Read and follow all instructions.
2. Power must be disconnected at all times during installation.
3. Observe polarity of the 24 Volt PWM Output. Failure to observe polarity could damage LED lighting.
4. Total wattage of all LED fixtures used must not exceed the maximum watt rating of the driver.

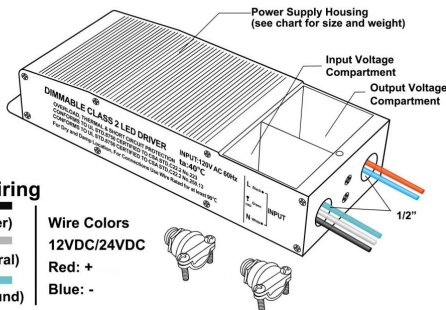
Step 1. Input Connections / Grounding

1. Unscrew lid from power supply body and remove. Set aside.
2. Pry open appropriate knock-outs to allow 120V power into power supply.

- a. Attach cable fitting to power supply via knock-outs.
- b. Strip wire leads as shown in diagram and make 120V connection: black to black(L), green to green(G), white to white(N).



DRY/DAMP LOCATION ONLY



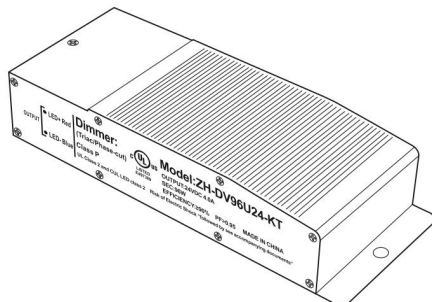
Step 2. Output Connections

Bring the wires of the light fixture through the other clamp connector and connect them to the driver wires - positive to the red (+) wire and negative to the blue (-) wire.

To ensure optimal dimming performance, the driver requires a minimum load of 25%-80% of total capacity with Lutron, Leviton standard triac dimmers.

Step 3. Close the cover

Connect lead from fixture to power supply leads. Test connection by applying power. Make sure power supply is placed or mounted in secure area per local codes and standards.

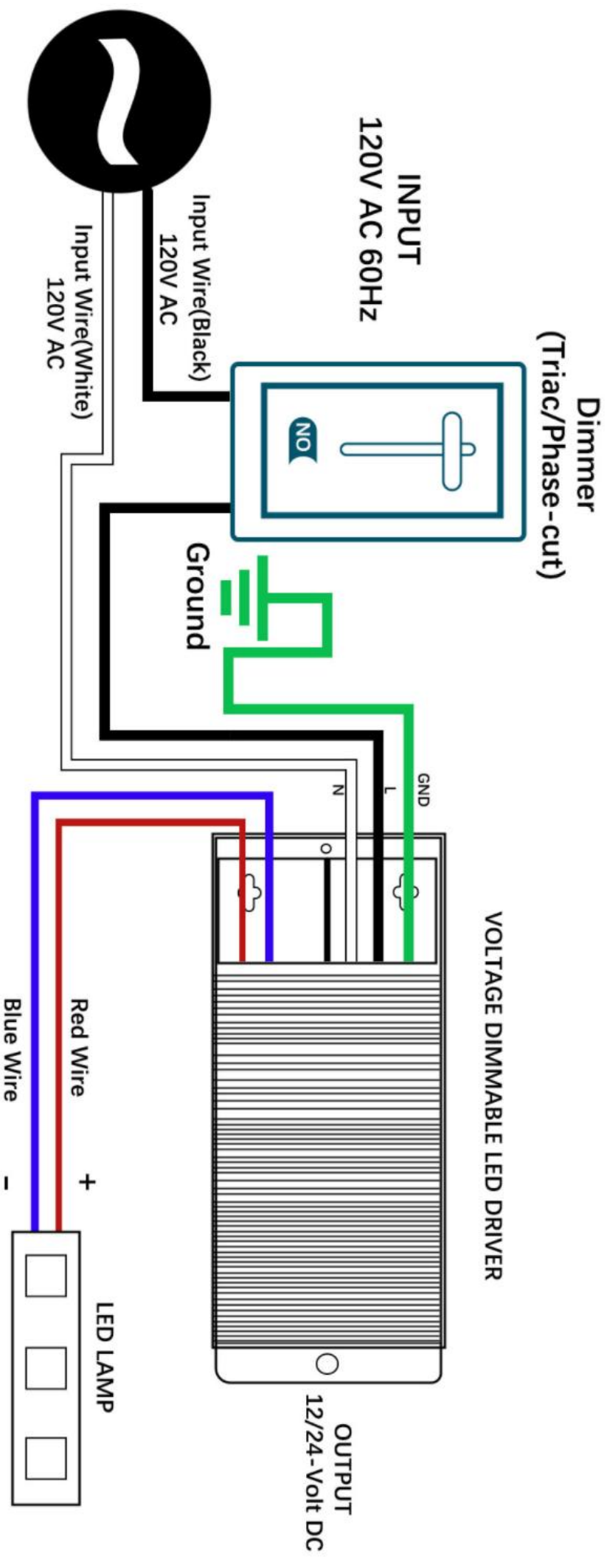


CONFORMS TO UL STD.8750 CERTIFIED TO CSA STD.C22.2 No.250.13
CONFORMS TO UL STD.1310 CERTIFIED TO CSA STD.C22.

Note

Full safety shut off protection in case of lighting overload, open circuit, short circuit, over temperature or other fault. Unit will automatically restart after the fault has been corrected. Ensure that wiring is correct before test in order to avoid light and power supply damage.

Wiring Diagram



CONFORMS TO UL STD.8750 CERTIFIED TO CSA STD.C22.2 No.250.13

CONFORMS TO UL STD.1310 CERTIFIED TO CSA STD.C22.2 No.223