

WARNING!

Reference the National Electrical Code, specifically for the installation of wiring and clearances from power and lighting conductors. Installation work and electrical wiring must be done by qualified persons in accordance with all applicable codes and standards, including fire-rated construction. Risk of Fire. Installation involves special wiring methods to run wiring through a building structure. Consult a qualified electrician. Mount the unit at a height greater than 1 foot from the ground surface.

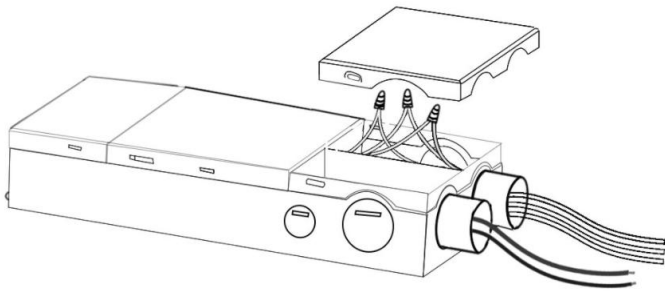
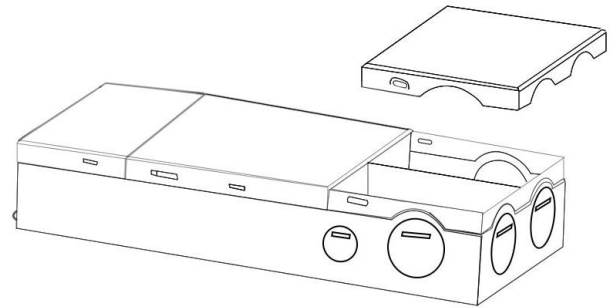
BEFORE YOUR START

1. Read and follow all instructions.
2. Power must be disconnected at all times during installation.
3. Observe polarity of the 12 / 24 Volt DC Output. Failure to observe polarity could damage LED lighting.
4. Total wattage of all LED fixtures used must not exceed the maximum watt rating of the driver.

Step 1. Input Connections / Grounding

1. Open the cover to make connections.
2. Pry open appropriate knock-outs to allow 100-120Vac power into power supply.

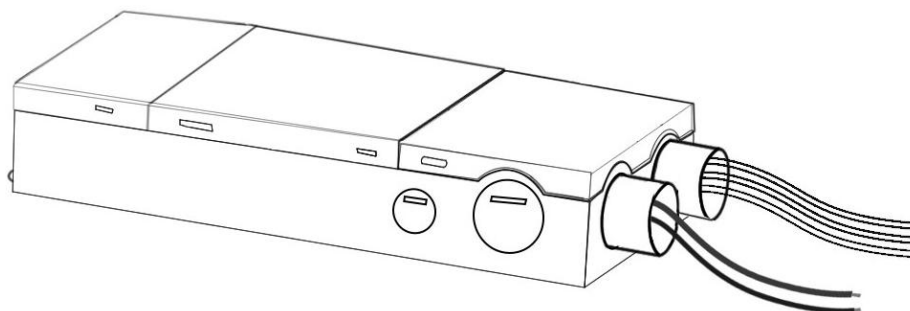
- a. Attach cable fitting to power supply via knock-outs.
- b. Strip wire leads as shown in diagram and make 100-120Vac connection: black to black(L), green to green(G), white to white(N).

**Step 2. Output Connections**

Bring the wires of the light fixture through the other clamp connector and connect them to the driver wires - positive to the red (+) wire and negative to the blue (-) wire.

Step 3. Close the cover

Connect lead from fixture to power supply leads. Test connection by applying power. Make sure power supply is placed or mounted in secure area per local codes and standards.

**Note**

Full safety shut off protection in case of lighting overload, open circuit, short circuit, over temperature or other fault. Unit will automatically restart after the fault has been corrected. Ensure that wiring is correct before test in order to avoid light and power supply damage.