



深圳市振欢电子有限公司
Shenzhenshi Zhenhuan Electronic Co.,Ltd

深圳市祺晨科技有限公司
Shenzhen Keysun Technology Co.,Ltd

Professional manufacturer of LED driver

We're all about providing top-notch power supply solutions for our customers.



www.keysuntech.com



www.szzhpower.com

ADDRESS: 8-9th FL, BL 2, Jingyefang, No.1 Fengxing Lane, Fenghuang
First Industrial area, Fuyong Street , Bao'an District,518103, Shenzhen, China
TEL:+86-755-81461285
FAX:+86-755-81461215
Email:power@szzhpower.com



HJ Series



H Series



L Series



N Series



E Series



M Series



P Series

ABOUT US

Shenzhen Zhenhuan Electronic Co.,Ltd was founded in 2008, is a national high-tech enterprise which focusing on the R&D, production and sales of safety regulated LED driver, power adapters, chargers. Its own brand is "KSPOWER". The product line covers 20-400W LED driver and 5-200W power adapters. At present, our products have obtained the certification of CB, UL, Class 2, FCC, CE, GS, UKCA, SAA, C-Tick, RCM, KC, KCC, PSE etc. The product widely used in LED light, CCTV camera, Humidifier, POS, Massage, Smart Electronics, Router set-top box and other applications, and providing differentiated OEM&ODM customized services for brand customers.

5

Production lines

500 million
Annual Capacity

2008

Establishment

After 17 years of precipitation, it has two companies, Shenzhen Zhenhuan Electronic Co.,Ltd and Shenzhen Keysun technology Co.,Ltd.



Our company has 5000 square meters of plant, more than 100 high-quality employees, 30 managers and 2 semi-automatic production lines. The daily output has reached 10K!

The company strictly implements ISO9001 quality management system to ensure product quality. Taking the quality line and making safety products has always been the quality policy of the company! Adhering to the principle of customer first and services first, all employees have been pursuing the responsibility of creating value-added products and services for customers. With strong R & D capability and high-quality product quality, it has been service 300 customers.



DEVELOPMENT HISTORY

WE HAVE THE AUTHORITY OF THE CERTIFICATION

SHENZHEN KEYSUN TECHNOLOGY LIMITED

2008 In 2008, Shenzhenshi Zhenhuan Electronic Co.,Ltd. Was established.

2009 In 2009,the self-developed Led Driver,power supply and expanded the production area

2010 In 2010,we have a total quality management system in place and obtained CCC.

2011 In 2011, obtained ISO-9001(TUV), ISO14001:2004 and ISO9001:2000 certifications

2012 In 2012,passed by UL/cUL,CE, GS,RoHS certification

2013 In 2013,we installed a wave soldering production line,and got California Energy Efficiency Laboratory approval.

2014 In 2014,passed by CQC and KC certifications.

2015 In 2015, our product was certified by CNAS and ISO9001:2008, ISO 14001:2004 by SGS.

2016 In 2016,we obtained RCM, KC,and KCC certifications and established "Shenzhen Keysun Technology Limited."

2017 In 2017, got UL 1310 and PSE certification and launched the 150W-200W series power adapter.

2018 In 2018,we introduced a dimmable LED Driver certified by UL8750 Class2.

2019 In 2019, we innovated, expanded dimming LED Drivers,obtained UL/IEC62368-1

2020 In 2020,we launched KSPOWER,a new brand with design and utility model patents for our LED driver. And invested in automated production lines,including automatic screw locking and glue filling machines.

2021 In 2021,we signed agents in North America,including the US and Canada, and other countries.

2022 In 2022,we charted the "KSPOWER" brand's growth.Our factory has advanced production and quality control, and a growing R&D team.

2023 In 2023,we're focusing on LED lighting driver R&D to bring top-quality products to the market.

2024 In 2024,was honored with the title of National High-tech Enterprise.

2025 In 2025,we significantly increased our R&D investment for new products.



Safety Approvals: UL / cUL ETL / cETL Class 2 CE GS ENEC FCC RoHS
KC PSE SAA C-Tick RCM UKCA CB

Content

01 H-Series

| | | |
|------------|---|---|
| HJ | Series - Junction Box, UL8750 Class 2, 40-320W | 7 |
| HOJ | Series - Junction Box, UL8750 Class 2, 40-320W | 7 |
| HPJ | Series - Junction Box, UL8750 Class 2, 40-320W | 7 |
| HTJ | Series - Junction Box, UL8750 Class 2, 40-320W | 7 |
| H | Series - Wire Connection, UL8750 Class 2, 40-320W | 9 |
| HO | Series - Wire Connection, UL8750 Class 2, 40-320W | 9 |
| HP | Series - Wire Connection, UL8750 Class 2, 40-320W | 9 |
| HT | Series - Wire Connection, UL8750 Class 2, 40-320W | 9 |

02 L-Series

| | | |
|-----------|---|----|
| L | Series - Slim Version, UL8750 Class2, 30-100W | 11 |
| LO | Series - Slim Version, UL8750 Class2, 30-100W | 11 |
| LP | Series - Slim Version, UL8750 Class2, 30-100W | 11 |
| LT | Series - Slim Version, UL8750 Class2, 30-100W | 11 |

03 N-Series

| | | |
|-----------|--|----|
| N | Series - 120V & 230V NEMA 3R UL8750 Class2 | 13 |
| NT | Series - 120V & 230V NEMA 3R UL8750 Class2 | 13 |

04 E-Series

| | | |
|-----------|--|----|
| E | Series - 100-120VAC & 200-240VAC ETL/cETL | 15 |
| ET | Series - 100-120VAC & 200-240VAC ETL/ cETL | 15 |

05 M-Series

| | | |
|------------|---|----|
| MVT | Series - Multiple Channel Output,UL Class 2 listed, Triac Dimming | 17 |
| MVP | Series - Multiple Channel Output,UL Class 2 listed,5 in 1 Dimming | 19 |
| MT | Series - Single Output,UL Class P listed, Triac Dimming, | 21 |
| MP | Series - Single Output,UL Class P listed,5 in 1 Dimming | 23 |
| MCP | Series - Multiple Channel Output,UL listed,CCT&5 in 1 Dimming | 25 |

06 P-Series

| | | |
|----------|--|----|
| P | Series - 110-240VAC, Plastic Case UL/cUL | 27 |
|----------|--|----|



HJ Series



H Series



L Series



N Series



E Series



M Series



P Series

H-Junction Box

Constant Voltage Waterproof LED Drivers
12V 24V 36V 48V PWM Output

Supported functions

- 5 in 1 dimming(Triac/Phase-cut,0-10V,1-10V, PWM,Resistance)
- 4 in 1 dimming(0-10V,1-10V,10V PWM,Resistance)
- Triac/Phase-cut dimming
- Non-dimming

Overview

The H series constant voltage LED driver with junction box version is versatile, supporting 5 in 1 dimming, 4 in 1 dimming, Triac/Phase-cut dimming, and non-dimming options. It is compatible with dimmers from Lutron, Leviton, and other lighting control systems. Specifically designed for large-scale lighting control projects, residential and commercial applications.

Outstanding performance

- Full range, Dimming range:0-100%
- Continuous & Smooth
- High compatibility
- Flicker-free
- IP65 Rated
- Short-circuit protection
- Temperature protection
- Overload protection
- Authoritative Certification UL8750 Class 2 FCC CE GS ENEC RoHS

Different versions



297*58*36mm/11.7*2.28*1.41in

322*58*36mm/12.67*2.28*1.41in

343*68*41mm/13.5*2.67*1.61in

367*68*41mm/14.4*2.67*1.61in

For indoor&outdoor use
Easy and safe installation

40W - 320W Constant Voltage LED Driver

Technical parameters

UL LISTED Class 2 Class P TYPE HL SELV IFC FC CE GS RoHS

IP65 Rated 5-Year warranty Flicker-free Dimming rang:0-100%

| Picture | Dimming Type | Series | Power | Model (xx=output voltage) | Output voltage& Output current | | | | Input voltage | Size |
|---------|-----------------|--------|-------|---------------------------|--------------------------------|--------|-------------|-------|---------------------|-------------|
| | | | | | 12V | 24V | 36V | 48V | | |
| | 5 in 1 dimming | HPJ | 40W | KS-40AW-xxP | 3.3A | 1.67A | 1.11A | 0.83A | 100-277V 50/60Hz | 297*58*36mm |
| | | | 60W | KS-60AW-xxP | 5A | 2.5A | 1.67A | 1.25A | | |
| | | | 80W | KS-80AW-xxP | 6.67A | 3.33A | 2.22A | 1.67A | | |
| | | | 96W | KS-96AW-24P | / | 4A | / | / | | 322*58*36mm |
| | | | 100W | KS-100AW-xxP | 8.33A | 4.16A | 2.78A | 2.08A | | |
| | | | 120W | KS-120AW-xxP | 10A | 5A | 3.33A | 2.5A | | |
| | | | 150W | KS-150AW-xxP | 12.5A | 6.25A | 4.16A | 3.13A | | |
| | | | 180W | KS-180AW-12P | 15A | / | / | / | | 343*68*41mm |
| | | | 200W | KS-200AW-xxP | 16.66A | 8.33A | 5.55A | 4.16A | | |
| | | | 240W | KS-240AW-xxP | 20A | 10A | 6.66A | 5A | | 367*68*41mm |
| | | | 300W | KS-300AW-24P | / | 12.5A | / | / | | |
| | | | 320W | KS-320AW-xxP | / | 13.33A | 8.88A | 6.66A | | |
| | | | | 4 in 1 dimming | HOJ | 40W | KS-40AW-xxO | 3.3A | | 1.67A |
| 60W | KS-60AW-xxO | 5A | | | | 2.5A | 1.67A | 1.25A | | |
| 80W | KS-80AW-xxO | 6.67A | | | | 3.33A | 2.22A | 1.67A | | |
| 96W | KS-96AW-24O | / | | | | 4A | / | / | 322*58*36mm | |
| 100W | KS-100AW-xxO | 8.33A | | | | 4.16A | 2.78A | 2.08A | | |
| 120W | KS-120AW-xxO | 10A | | | | 5A | 3.33A | 2.5A | | |
| 150W | KS-150AW-xxO | 12.5A | | | | 6.25A | 4.16A | 3.13A | | |
| 180W | KS-180AW-12O | 15A | | | | / | / | / | 343*68*41mm | |
| 200W | KS-200AW-xxO | 16.66A | | | | 8.33A | 5.55A | 4.16A | | |
| 240W | KS-240AW-xxO | 20A | | | | 10A | 6.66A | 5A | 367*68*41mm | |
| 300W | KS-300AW-24O | / | | | | 12.5A | / | / | | |
| 320W | KS-320AW-xxO | / | | | | 13.33A | 8.88A | 6.66A | | |
| | Triac/Phase-cut | HTJ | | | | 40W | KS-40AW-xxT | 3.3A | 1.67A | 1.11A |
| | | | 60W | KS-60AW-xxT | 5A | 2.5A | 1.67A | 1.25A | | |
| | | | 80W | KS-80AW-xxT | 6.67A | 3.33A | 2.22A | 1.67A | | |
| | | | 96W | KS-96AW-24T | / | 4A | / | / | 322*58*36mm | |
| | | | 100W | KS-100AW-xxT | 8.33A | 4.16A | 2.78A | 2.08A | | |
| | | | 120W | KS-120AW-xxT | 10A | 5A | 3.33A | 2.5A | | |
| | | | 150W | KS-150AW-xxT | 12.5A | 6.25A | 4.16A | 3.13A | | |
| | | | 180W | KS-180AW-12T | 15A | / | / | / | 343*68*41mm | |
| | | | 200W | KS-200AW-xxT | 16.66A | 8.33A | 5.55A | 4.16A | | |
| | | | 240W | KS-240AW-xxT | 20A | 10A | 6.66A | 5A | 367*68*41mm | |
| | | | 300W | KS-300AW-24T | / | 12.5A | / | / | | |
| | | | 320W | KS-320AW-xxT | / | 13.33A | 8.88A | 6.66A | | |
| | | | | Non-dimming | HJ | 40W | KS-40AW-xx | 3.3A | 1.67A | 1.11A |
| 60W | KS-60AW-xx | 5A | | | | 2.5A | 1.67A | 1.25A | | |
| 80W | KS-80AW-xx | 6.67A | | | | 3.33A | 2.22A | 1.67A | | |
| 96W | KS-96AW-24 | / | | | | 4A | / | / | 322*58*36mm | |
| 100W | KS-100AW-xx | 8.33A | | | | 4.16A | 2.78A | 2.08A | | |
| 120W | KS-120AW-xx | 10A | | | | 5A | 3.33A | 2.5A | | |
| 150W | KS-150AW-xx | 12.5A | | | | 6.25A | 4.16A | 3.13A | | |
| 180W | KS-180AW-12 | 15A | | | | / | / | / | 343*68*41mm | |
| 200W | KS-200AW-xx | 16.66A | | | | 8.33A | 5.55A | 4.16A | | |
| 240W | KS-240AW-xx | 20A | | | | 10A | 6.66A | 5A | 367*68*41mm | |
| 300W | KS-300AW-24 | / | | | | 12.5A | / | / | | |
| 320W | KS-320AW-xx | / | | | | 13.33A | 8.88A | 6.66A | | |

H-Wire Connection

Constant Voltage Waterproof LED Drivers

12V 24V 36V 48V PWM Output

Supported functions

- 5 in 1 dimming(Triac/Phase-cut,0-10V,1-10V, PWM,Resistance)
- 4 in 1 dimming(0-10V,1-10V,10V PWM,Resistance)
- Triac/Phase-cut dimming
- Non-dimming

Overview

The H series constant voltage LED driver with wire connection version is versatile, supporting 5 in 1 dimming, 4 in 1 dimming, Triac/Phase-cut dimming, and non-dimming options. It is compatible with dimmers from Lutron, Leviton, and other lighting control systems. Specifically designed for large-scale lighting control projects,residential and commercial applications.

Outstanding performance

- Full range,Dimming range:0-100%
- Continuous & Smooth
- High compatibility
- Flicker-free
- IP65 Rated
- Short-circuit protection
- Temperature protection
- Overload proection
- Authoritative Certification UL8750 Class 2 FCC CE GS ENEC RoHS

Different versions



188*58*36mm/7.4*2.28*1.41in

213*58*36mm/8.38*2.28*1.41in

234*68*41mm/9.21*2.67*1.61in

258*68*41mm/10.1*2.67*1.61in

For indoor&outdoor use
Easy and safe installation

40W - 320W Constant Voltage LED Driver

Technical parameters



Class 2 Class P TYPE HL SELV RoHS

IP65 Rated

5-Year warranty

Flicker-free

Dimming rang:0-100%

| Picture | Dimming Type | Series | Power | Model (xx=output voltage) | Output voltage& | | | | Input voltage | Size | | | |
|---------|-----------------|--------|-------|------------------------------|-----------------|-------|-------------|--------|---------------------|-------------|-------|-------|-------------|
| | | | | | 12V | 24V | 36V | 48V | | | | | |
| | 5 in 1 dimming | HP | 40W | KS-40A-xxP | 3.3A | 1.67A | 1.11A | 0.83A | 100-277V 50/60Hz | 188*58*36mm | | | |
| | | | 60W | KS-60A-xxP | 5A | 2.5A | 1.67A | 1.25A | | | | | |
| | | | 80W | KS-80A-xxP | 6.67A | 3.33A | 2.22A | 1.67A | | | | | |
| | | | | | | 96W | KS-96A-24P | / | | 4A | / | / | 213*58*36mm |
| | | | | | | 100W | KS-100A-xxP | 8.33A | | 4.16A | 2.78A | 2.08A | |
| | | | | | | 120W | KS-120A-xxP | 10A | | 5A | 3.33A | 2.5A | |
| | | | | | | 150W | KS-150A-xxP | 12.5A | | 6.25A | 4.16A | 3.13A | 234*68*41mm |
| | | | | | | 180W | KS-180A-12P | 15A | | / | / | / | |
| | | | | | | 200W | KS-200A-xxP | 16.66A | | 8.33A | 5.55A | 4.16A | |
| | | | | | | 240W | KS-240A-xxP | 20A | | 10A | 6.66A | 5A | 258*68*41mm |
| | | | | | | 300W | KS-300A-24P | / | | 12.5A | / | / | |
| | | | | | | 320W | KS-320A-xxP | / | | 13.33A | 8.88A | 6.66A | |
| | 4 in 1 dimming | HO | 40W | KS-40A-xxO | 3.3A | 1.67A | 1.11A | 0.83A | 100-277V 50/60Hz | 188*58*36mm | | | |
| | | | 60W | KS-60A-xxO | 5A | 2.5A | 1.67A | 1.25A | | | | | |
| | | | 80W | KS-80A-xxO | 6.67A | 3.33A | 2.22A | 1.67A | | | | | |
| | | | | | | 96W | KS-96A-24O | / | | 4A | / | / | 213*58*36mm |
| | | | | | | 100W | KS-100A-xxO | 8.33A | | 4.16A | 2.78A | 2.08A | |
| | | | | | | 120W | KS-120A-xxO | 10A | | 5A | 3.33A | 2.5A | |
| | | | | | | 150W | KS-150A-xxO | 12.5A | | 6.25A | 4.16A | 3.13A | 234*68*41mm |
| | | | | | | 180W | KS-180A-12O | 15A | | / | / | / | |
| | | | | | | 200W | KS-200A-xxO | 16.66A | | 8.33A | 5.55A | 4.16A | |
| | | | | | | 240W | KS-240A-xxO | 20A | | 10A | 6.66A | 5A | 258*68*41mm |
| | | | | | | 300W | KS-300A-24O | / | | 12.5A | / | / | |
| | | | | | | 320W | KS-320A-xxO | / | | 13.33A | 8.88A | 6.66A | |
| | Triac/Phase-cut | HT | 40W | KS-40A-xxT | 3.3A | 1.67A | 1.11A | 0.83A | 100-277V 50/60Hz | 188*58*36mm | | | |
| | | | 60W | KS-60A-xxT | 5A | 2.5A | 1.67A | 1.25A | | | | | |
| | | | 80W | KS-80A-xxT | 6.67A | 3.33A | 2.22A | 1.67A | | | | | |
| | | | | | | 96W | KS-96A-24T | / | | 4A | / | / | 213*58*36mm |
| | | | | | | 100W | KS-100A-xxT | 8.33A | | 4.16A | 2.78A | 2.08A | |
| | | | | | | 120W | KS-120A-xxT | 10A | | 5A | 3.33A | 2.5A | |
| | | | | | | 150W | KS-150A-xxT | 12.5A | | 6.25A | 4.16A | 3.13A | 234*68*41mm |
| | | | | | | 180W | KS-180A-12T | 15A | | / | / | / | |
| | | | | | | 200W | KS-200A-xxT | 16.66A | | 8.33A | 5.55A | 4.16A | |
| | | | | | | 240W | KS-240A-xxT | 20A | | 10A | 6.66A | 5A | 258*68*41mm |
| | | | | | | 300W | KS-300A-24T | / | | 12.5A | / | / | |
| | | | | | | 320W | KS-320A-xxT | / | | 13.33A | 8.88A | 6.66A | |
| | Non-dimming | H | 40W | KS-40A-xx | 3.3A | 1.67A | 1.11A | 0.83A | 100-277V 50/60Hz | 188*58*36mm | | | |
| | | | 60W | KS-60A-xx | 5A | 2.5A | 1.67A | 1.25A | | | | | |
| | | | 80W | KS-80A-xx | 6.67A | 3.33A | 2.22A | 1.67A | | | | | |
| | | | | | | 96W | KS-96A-24 | / | | 4A | / | / | 213*58*36mm |
| | | | | | | 100W | KS-100A-xx | 8.33A | | 4.16A | 2.78A | 2.08A | |
| | | | | | | 120W | KS-120A-xx | 10A | | 5A | 3.33A | 2.5A | |
| | | | | | | 150W | KS-150A-xx | 12.5A | | 6.25A | 4.16A | 3.13A | 234*68*41mm |
| | | | | | | 180W | KS-180A-12 | 15A | | / | / | / | |
| | | | | | | 200W | KS-200A-xx | 16.66A | | 8.33A | 5.55A | 4.16A | |
| | | | | | | 240W | KS-240A-xx | 20A | | 10A | 6.66A | 5A | 258*68*41mm |
| | | | | | | 300W | KS-300A-24 | / | | 12.5A | / | / | |
| | | | | | | 320W | KS-320A-xx | / | | 13.33A | 8.88A | 6.66A | |

Constant Voltage Slim Waterproof LED Drivers

12V 24V 36V 48V PWM Output

Electronic Wire Connection

Supported functions

5 in 1 dimming(Triac/Phase-cut,0-10V,1-10V, PWM,Resistance)

4 in 1 dimming(0-10V,1-10V,10V PWM,Resistance)

Triac/Phase-cut dimming

Non-dimming

Overview

The L Slim series constant voltage LED Driver is versatile, supporting 5 in 1 dimming, 4 in 1 dimming, Triac/Phase-cut dimming, and non-dimming options.

It is compatible with dimmers from Lutron, Leviton, and other lighting control systems. Specifically designed for large-scale lighting control projects,residential and commercial applications.

Outstanding performance

- Full range,Dimming range:0-100%
- Continuous & Smooth
- High compatibility
- Flicker-free
- IP65 Rated
- Short-circuit protection
- Temperature protection
- Overload proection
- Authoritative Certification UL8750 Class 2 FCC CE GS ENEC RoHS

Different versions



270*32*24.5mm/10.6*1.25*0.96in

310*32*24.5mm/12.2*1.25*0.96in

355*32*24.5mm/13.97*1.25*0.96in

For indoor&outdoor use

Easy and safe installation

30W - 100W Constant Voltage LED Driver

Technical parameters



Class 2 Class P TYPE HL SELV RoHS

IP65 Rated

5-Year warranty

Flicker-free

Dimming rang:0-100%

| Picture | Dimming Type | Series | Power | Model (xx=output voltage) | Output voltage& Output current | | | | Input voltage | Size |
|---------|-----------------|--------|-------|---------------------------|--------------------------------|-------|-------|-------|---------------------|---------------|
| | | | | | 12V | 24V | 36V | 48V | | |
| | 5 in 1 dimming | LP | 30W | KS-30LW-xxP | 2.5A | 1.25A | 0.83A | 0.62A | 100~277V 50/60Hz | 270*32*24.5mm |
| | | | 40W | KS-40LW-xxP | 3.33A | 1.66A | 1.11A | 0.83A | | 310*32*24.5mm |
| | | | 60W | KS-60LW-xxP | 5A | 2.5A | 1.67A | 1.25A | | 355*32*24.5mm |
| | | | 80W | KS-80LW-xxP | 6.66A | 3.33A | 2.22A | 1.66A | | |
| | | | 96W | KS-96LW-24P | / | 4A | / | / | | |
| | | | 100W | KS-100LW-xxP | 8.33A | 4.16A | 2.78A | 2.08A | | |
| | 4 in 1 dimming | LO | 30W | KS-30LW-xxO | 2.5A | 1.25A | 0.83A | 0.62A | 100~277V 50/60Hz | 270*32*24.5mm |
| | | | 40W | KS-40LW-xxO | 3.33A | 1.66A | 1.11A | 0.83A | | 310*32*24.5mm |
| | | | 60W | KS-60LW-xxO | 5A | 2.5A | 1.66A | 1.25A | | 355*32*24.5mm |
| | | | 80W | KS-80LW-xxO | 6.66A | 3.33A | 2.22A | 1.66A | | |
| | | | 96W | KS-96LW-24O | / | 4A | / | / | | |
| | | | 100W | KS-100LW-xxO | 8.33A | 4.16A | 2.78A | 2.08A | | |
| | Triac/Phase-cut | LT | 30W | KS-30LW-xxT | 2.5A | 1.25A | 0.83A | 0.62A | 100~277V 50/60Hz | 270*32*24.5mm |
| | | | 40W | KS-40LW-xxT | 3.33A | 1.66A | 1.11A | 0.83A | | 310*32*24.5mm |
| | | | 60W | KS-60LW-xxT | 5A | 2.5A | 1.66A | 1.25A | | 355*32*24.5mm |
| | | | 80W | KS-80LW-xxT | 6.66A | 3.33A | 2.22A | 1.66A | | |
| | | | 96W | KS-96LW-24T | / | 4A | / | / | | |
| | | | 100W | KS-100LW-xxT | 8.33A | 4.16A | 2.78A | 2.08A | | |
| | Non-dimming | L | 30W | KS-30LW-xx | 2.5A | 1.25A | 0.83A | 0.62A | 100~277V 50/60Hz | 270*32*24.5mm |
| | | | 40W | KS-40LW-xx | 3.33A | 1.66A | 1.11A | 0.83A | | 310*32*24.5mm |
| | | | 60W | KS-60LW-xx | 5A | 2.5A | 1.66A | 1.25A | | 355*32*24.5mm |
| | | | 80W | KS-80LW-xx | 6.66A | 3.33A | 2.22A | 1.66A | | |
| | | | 96W | KS-96LW-24 | / | 4A | / | / | | |
| | | | 100W | KS-100LW-xx | 8.33A | 4.16A | 2.78A | 2.08A | | |

Constant Voltage Waterproof LED Drivers

12V 24V PWM Output
Enclosure With Junction Box

Supported functions

Triac/Phase-cut dimming
Non-dimming

Overview

The N series constant voltage LED Driver is versatile, supporting Triac/Phase-cut dimming, and non-dimming options. It is compatible with dimmers from Lutron, Leviton, and other lighting control systems. Specifically designed for tape lighting, tube lighting, linear lighting and multiple other commercial lighting applications.

Outstanding performance

- Full range, Dimming range: 0-100%
- Continuous & Smooth
- High compatibility
- Flicker-free
- NEMA 3R Rated
- Short-circuit protection
- Temperature protection
- Overload protection
- Authoritative Certification UL/cUL8750 Class 2

Different versions



177*70*35mm/6.96*2.75*1.37in



177*70*35mm/6.96*2.75*1.37in

For indoor&outdoor use
Easy and safe installation

20W - 96W Constant Voltage LED Driver

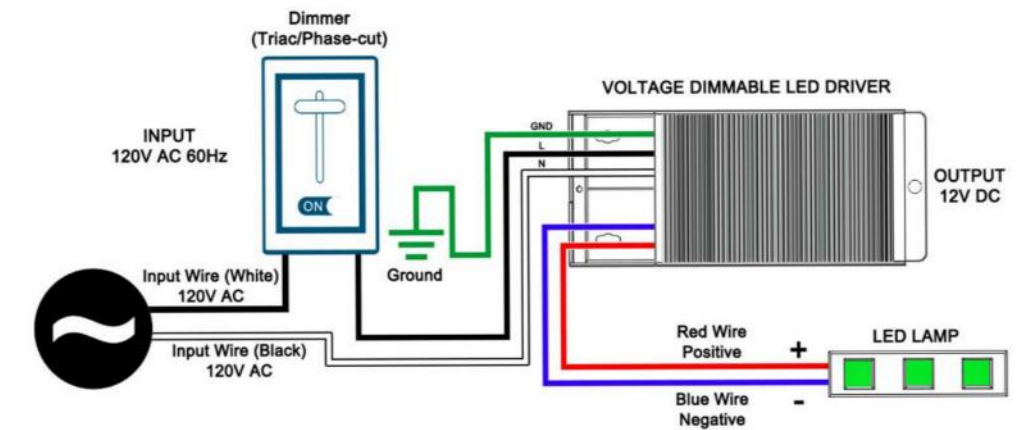
Technical parameters

UL LISTED Class 2 Class P TYPE HL SELV IFC FC CE

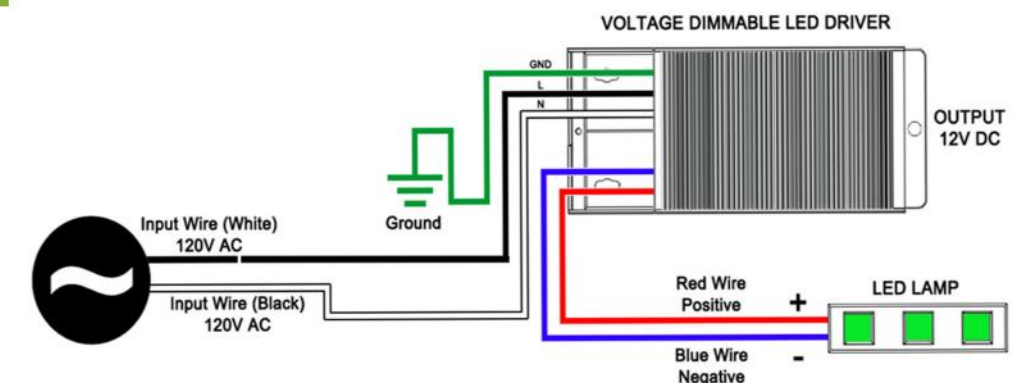
NEMA 3R Rated 5-Year warranty Flicker-free Dimming rang:0-100%

| Picture | Dimming Type | Series | Power | Model | Output voltage | Output current | Input voltage | PF | Location | Size |
|---------|-----------------|--------|-------|---------------|----------------|----------------|--------------------|-------|--------------|-------------|
| | Triac/Phase-cut | NT | 20W | ZH-DV20U12-KT | 12V | 1.7A | 120V60Hz&230V 50Hz | ≥0.95 | Dry/Damp/Wet | 177*70*35mm |
| | | | | ZH-DV20U24-KT | 24V | 0.84A | | | | |
| | | | 40W | ZH-DV40U12-KT | 12V | 3.34A | | | | |
| | | | | ZH-DV40U24-KT | 24V | 1.67A | | | | |
| | | | 60W | ZH-DV60U12-KT | 12V | 5A | | | | |
| | | | | ZH-DV60U24-KT | 24V | 2.5A | | | | |
| | Non-dimming | N | 30W | ZH-DV20U12 | 12V | 1.7A | 120V60Hz&230V 50Hz | ≥0.95 | Dry/Damp/Wet | 177*70*35mm |
| | | | | ZH-DV20U24 | 24V | 0.84A | | | | |
| | | | 40W | ZH-DV40U12 | 12V | 3.34A | | | | |
| | | | | ZH-DV40U24 | 24V | 1.67A | | | | |
| | | | 60W | ZH-DV60U12 | 12V | 5A | | | | |
| | | | | ZH-DV60U24 | 24V | 2.5A | | | | |
| | ZH-DV75U24 | 24V | 3.13A | | | | | | | |
| | ZH-DV96U24 | 24V | 4A | | | | | | | |

Triac/Phase-cut dimming



Non-dimming



Constant Voltage Metal LED Drivers

12V 24V Output

Enclosure With Junction Box

Supported functions

Triac/Phase-cut dimming
Non-dimming

Overview

The E series constant voltage LED Driver is versatile, supporting Triac/Phase-cut dimming, and non-dimming options. It is compatible with dimmers from Lutron, Leviton, and other lighting control systems. Specifically designed for many lighting applications including architectural, decorative and signage.

Outstanding performance

- Full range, Dimming range: 0-100%
- Continuous & Smooth
- High compatibility
- Flicker-free
- 12V / 24V DC Output
- Short-circuit protection
- Temperature protection
- Overload protection
- Authoritative Certification ETL/cETL

Different versions



200*85*37mm/7.87*3.34*1.45in



200*85*37mm/7.87*3.34*1.45in

For indoor&outdoor use
Easy and safe installation

20W - 100W Constant Voltage LED Driver

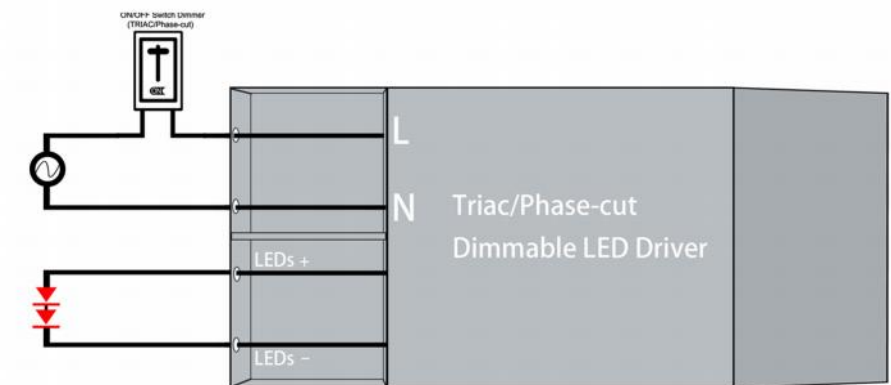
Technical parameters



5-Year warranty Flicker-free Dimming rang:0-100%

| Picture | Dimming Type | Series | Power | Model | Output voltage | Output current | Input voltage | PF | Location | Size |
|---------|-----------------|---------------|-------|---------------|----------------|----------------|--------------------------------|-------|--------------|-------------|
| | Triac/Phase-cut | ET | 20W | ZH-EAC20W12-T | 12V | 1.7A | 100-120V 60Hz&200-240V 50Hz | ≥0.95 | Dry/Damp/Wet | 200*85*37mm |
| | | | | ZH-EAC20W24-T | 24V | 0.84A | | | | |
| | | | 40W | ZH-EAC40W12-T | 12V | 3.34A | | | | |
| | | | | ZH-EAC40W24-T | 24V | 1.67A | | | | |
| | | | 60W | ZH-EAC60W12-T | 12V | 5A | | | | |
| | | | | ZH-EAC60W24-T | 24V | 2.5A | | | | |
| | Non-dimming | E | 30W | ZH-EAC20W12-W | 12V | 1.7A | 100-120V 60Hz&200-240V 50Hz | ≥0.95 | Dry/Damp/Wet | 200*85*37mm |
| | | | | ZH-EAC20W24-W | 24V | 0.84A | | | | |
| | | | 40W | ZH-EAC40W12-W | 12V | 3.34A | | | | |
| | | | | ZH-EAC40W24-W | 24V | 1.67A | | | | |
| | | | 60W | ZH-EAC60W12-W | 12V | 5A | | | | |
| | | | | ZH-EAC60W24-W | 24V | 2.5A | | | | |
| 80W | ZH-EAC80W24-W | 24V | 3.33A | | | | | | | |
| | 96W | ZH-EA100W24-W | 24V | 4A | | | | | | |

Triac/Phase-cut dimming



Non-dimming



Multiple-Channel Output-MVT SERIES LED DRIVER

12V / 24V / 36V / 48V ,100W - 384W

Overview

The MVT series LED driver is UL Class 2 certified and offers multiple channels with PWM or DC voltage output modes, as well as Triac dimming. It operates on a voltage range of 100-277vac, 50/60hz.

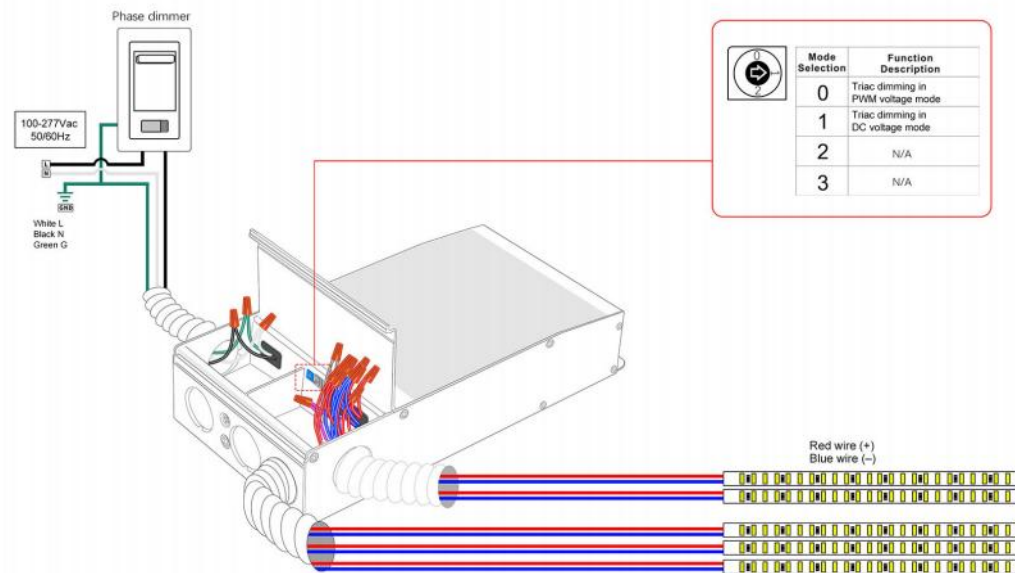
Features

- Switching PWM and DC voltage modes freely
- Triac/phase-cut dimming, forward & reverse phase dimming (MLV/ELV)
- Glue filling process, heat dissipation, waterproof and moisture-proof
- High efficiency and energy saving, high PFC, flicker-free
- Approved UL certificate, Class 2 compliant. 5 years warranty

Technical parameters

2-5 output channels, wiring diagram schematic

- Power 100W * 2 Channels Triac Dimming (Triac Dimming)
- Power 192W * 2 Channels Triac Dimming (Triac Dimming)
- Power 180W/288W * 3 Channels Triac Dimming (Triac Dimming)
- Power 240W/384W * 4 Channels Triac Dimming (Triac Dimming)
- Power 300W * 5 Channels Triac Dimming (Triac Dimming)



100W - 384W Constant Voltage LED Driver

Different versions



Flicker-free PF>0.95 Location: Dry/Damp/Wet 5-year warranty

| Dimming Style | Series | Power | Input voltage | Output voltage & Output current | | | | Size |
|-----------------|--------|-------|---------------------|---------------------------------|---------|---------|---------|--------------|
| | | | | 12V | 24V | 36V | 48V | |
| Triac/phase-cut | MVT | 100W | 100~277V 50/60Hz | 4.16A*2 | 2.08A*2 | 1.38A*2 | 1.04A*2 | 199*103*40mm |
| | | 180W | 100~277V 50/60Hz | 5A*3 | / | / | / | 216*113*40mm |
| | | 192W | 100~277V 50/60Hz | / | 4A*2 | 2.67A*2 | 2A*2 | 216*113*40mm |
| | | 240W | 100~277V 50/60Hz | 5A*4 | / | / | / | 248*123*40mm |
| | | 288W | 100~277V 50/60Hz | / | 4A*3 | 2.67A*3 | 2A*3 | 248*123*40mm |
| | | 300W | 100~277V 50/60Hz | 5A*5 | / | / | / | 248*123*40mm |
| | | 384W | 100~277V 50/60Hz | / | 4A*4 | 2.67A*4 | 2A*4 | 248*123*40mm |

Multiple-Channel Output-MVP SERIES LED DRIVER

12V / 24V / 36V / 48V , 100W - 384W

Overview

The MVP series LED driver is approved by UL Class 2 and features multiple channels with PWM or DC voltage output modes. It also includes 5 in 1 dimming functions and operates on a 100-277vac, 50/60hz input voltage.

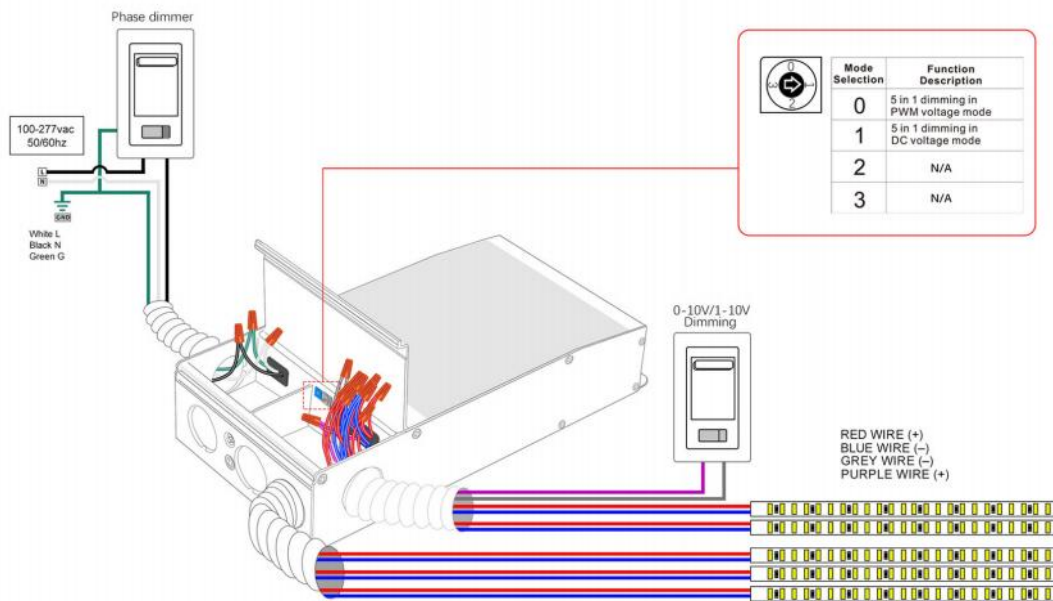
Features

- Switching PWM and DC voltage modes freely
- 5 in 1 dimmable (0-10V,1-10V, Triac, 10V PWM, Resistance dimming)
- Glue filling process, heat dissipation, waterproof and moisture-proof
- High efficiency and energy saving, high PFC, flicker-free
- Approved UL certificate, Class 2 compliant. 5 years warranty

Technical parameters

2-5 output channels, wiring diagram schematic

- Power 100W * 2 Channels (5 in 1 Dimming)
- Power 192W * 2 Channels (5 in 1 Dimming)
- Power 180W/288W * 3 Channels (5 in 1 Dimming)
- Power 240W/384W * 4 Channels (5 in 1 Dimming)
- Power 300W * 5 Channels (5 in 1 Dimming)



100W - 384W Constant Voltage LED Driver

Different versions



Flicker-free PF>0.95 Location: Dry/Damp/Wet 5-year warranty

| Dimming Style | Series | Power | Input voltage | Output voltage & Output current | | | | Size |
|----------------|--------|-------|---------------------|---------------------------------|---------|---------|---------|--------------|
| | | | | 12V | 24V | 36V | 48V | |
| 5 in 1 dimming | MVP | 100W | 100~277V 50/60Hz | 4.16A*2 | 2.08A*2 | 1.38A*2 | 1.04A*2 | 199*103*40mm |
| | | 180W | 100~277V 50/60Hz | 5A*3 | / | / | / | 216*113*40mm |
| | | 192W | 100~277V 50/60Hz | / | 4A*2 | 2.67A*2 | 2A*2 | 216*113*40mm |
| | | 240W | 100~277V 50/60Hz | 5A*4 | / | / | / | 248*123*40mm |
| | | 288W | 100~277V 50/60Hz | / | 4A*3 | 2.67A*3 | 2A*3 | 248*123*40mm |
| | | 300W | 100~277V 50/60Hz | 5A*5 | / | / | / | 248*123*40mm |
| | | 384W | 100~277V 50/60Hz | / | 4A*4 | 2.67A*4 | 2A*4 | 248*123*40mm |

Single Output-MT SERIES LED DRIVER

12V / 24V / 36V / 48V, 40W-400W

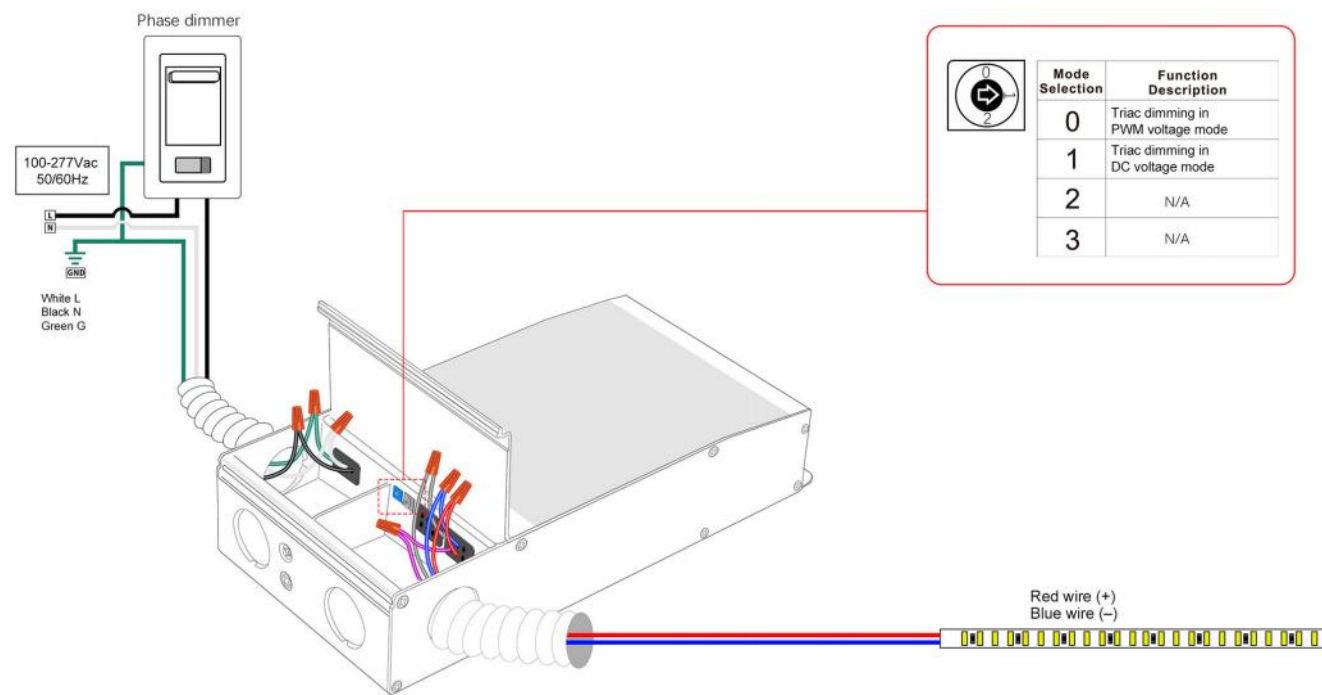
Overview

The MT-series LED driver is UL-listed and approved for single output. It offers PWM or DC voltage output modes with triac dimming. The input voltage ranges from 100-277vac, 50/60hz.

Features

- Switching PWM and DC voltage modes freely
- Triac/phase-cut dimming, forward & reverse phase dimming (MLV/ELV)
- Glue filling process, heat dissipation, waterproof and moisture-proof
- High efficiency and energy saving, high PFC, flicker-free
- Approved UL listed, 5 years warranty

Technical parameters



40W - 400W Constant Voltage LED Driver

Different versions



Flicker-free PF>0.95 Location: Dry/Damp/Wet 5-year warranty

| Dimming Style | Series | Power | Input voltage | Output voltage & Output current | | | | Size |
|-----------------|--------|-------|---------------------|---------------------------------|--------|--------|-------|--------------|
| | | | | 12V | 24V | 36V | 48V | |
| Triac/phase-cut | MT | 40W | 100~277V 50/60Hz | 3.3A | 2.5A | 1.1A | 0.83A | 199*103*40mm |
| | | 60W | 100~277V 50/60Hz | 5A | 2.5A | 1.67A | 1.25A | 199*103*40mm |
| | | 80W | 100~277V 50/60Hz | 6.67A | 3.33A | 2.22A | 1.67A | 199*103*40mm |
| | | 96W | 100~277V 50/60Hz | 8A | 4A | 2.66A | 2A | 199*103*40mm |
| | | 100W | 100~277V 50/60Hz | 8.33A | 4.16A | 2.78A | 2.08A | 199*103*40mm |
| | | 120W | 100~277V 50/60Hz | 10A | 5A | 3.33A | 2.5A | 216*113*40mm |
| | | 150W | 100~277V 50/60Hz | 12.5A | 6.25A | 4.16A | 3.13A | 216*113*40mm |
| | | 200W | 100~277V 50/60Hz | 16.67A | 8.33A | 5.55A | 4.16A | 216*113*40mm |
| | | 240W | 100~277V 50/60Hz | 20A | 10A | 6.66A | 5A | 248*123*40mm |
| | | 300W | 100~277V 50/60Hz | 25A | 12.5A | 8.33A | 6.25A | 248*123*40mm |
| | | 360W | 100~277V 50/60Hz | 30A | 15A | 10A | 7.5A | 248*123*40mm |
| | | 400W | 100~277V 50/60Hz | / | 16.67A | 11.11A | 8.33A | 248*123*40mm |

Single Output-MP SERIES LED DRIVER

12V / 24V / 36V / 48V, 40W-400W

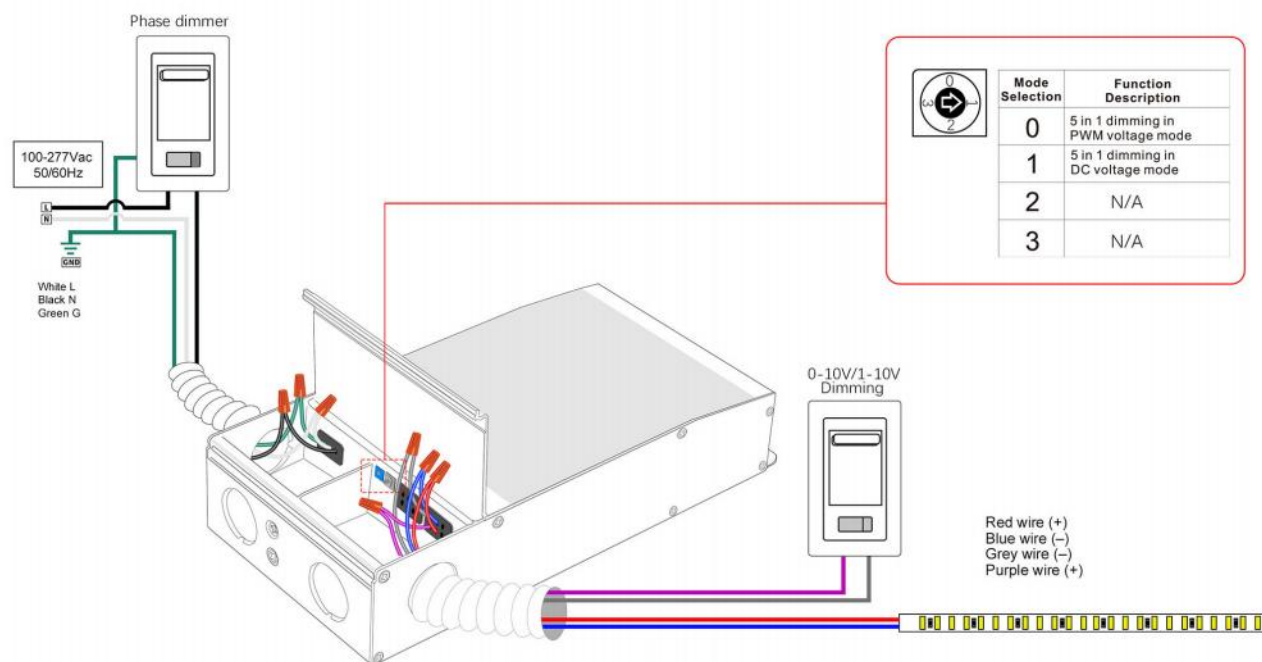
Overview

The MP- series LED drivers are UL listed and approved for single output. They offer PWM or DC voltage output modes with 5-in-1 dimming functions. The input voltage ranges from 100-277vac, 50/60hz.

Features

- Switching PWM and DC voltage modes freely
- 5 in 1 dimmable (0-10V,1-10V, Triac, 10V PWM, Resistance dimming)
- Glue filling process, heat dissipation, waterproof and moisture-proof
- High efficiency and energy saving, high PFC, flicker-free
- Approved UL listed, 5 years warranty

Technical parameters



40W - 400W Constant Voltage LED Driver

Different versions



Flicker-free PF>0.95 Location: Dry/Damp/Wet 5-year warranty

| Dimming Style | Series | Power | Input voltage | Output voltage & Output current | | | | Size |
|----------------|--------|-------|---------------------|---------------------------------|--------|--------|-------|--------------|
| | | | | 12V | 24V | 36V | 48V | |
| 5 in 1 dimming | MP | 40W | 100~277V 50/60Hz | 3.3A | 2.5A | 1.1A | 0.83A | 199*103*40mm |
| | | 60W | 100~277V 50/60Hz | 5A | 2.5A | 1.67A | 1.25A | 199*103*40mm |
| | | 80W | 100~277V 50/60Hz | 6.67A | 3.33A | 2.22A | 1.67A | 199*103*40mm |
| | | 96W | 100~277V 50/60Hz | 8A | 4A | 2.66A | 2A | 199*103*40mm |
| | | 100W | 100~277V 50/60Hz | 8.33A | 4.16A | 2.78A | 2.08A | 199*103*40mm |
| | | 120W | 100~277V 50/60Hz | 10A | 5A | 3.33A | 2.5A | 216*113*40mm |
| | | 150W | 100~277V 50/60Hz | 12.5A | 6.25A | 4.16A | 3.13A | 216*113*40mm |
| | | 200W | 100~277V 50/60Hz | 16.67A | 8.33A | 5.55A | 4.16A | 216*113*40mm |
| | | 240W | 100~277V 50/60Hz | 20A | 10A | 6.66A | 5A | 248*123*40mm |
| | | 300W | 100~277V 50/60Hz | 25A | 12.5A | 8.33A | 6.25A | 248*123*40mm |
| | | 360W | 100~277V 50/60Hz | 30A | 15A | 10A | 7.5A | 248*123*40mm |
| | | 400W | 100~277V 50/60Hz | / | 16.67A | 11.11A | 8.33A | 248*123*40mm |

Multiple-Channel Output-MCP SERIES LED DRIVER

12V / 24V / 36V / 48V , 100W - 400W

Overview

The MCP series 5 in 1 dimmable(0-10V,1-10V, Triac, 10V PWM, Resistance dimming) Class 2 LED Drivers are designed with constant voltage and multiple channel output.They can operate at 100~277 VAC input voltage and provide various rated output voltages between 12V, 24V, 36V, 48V. They are suitable for various lighting applications,including Single-color/Two-color LED strip lighting, RGB/RGBW, LED signage, lightbox, backlit panels, and commercial linear lighting fixtures.The dimmable LED driver and compact metal case ensure cooler operation, enhancing reliability and extending product life.

Features

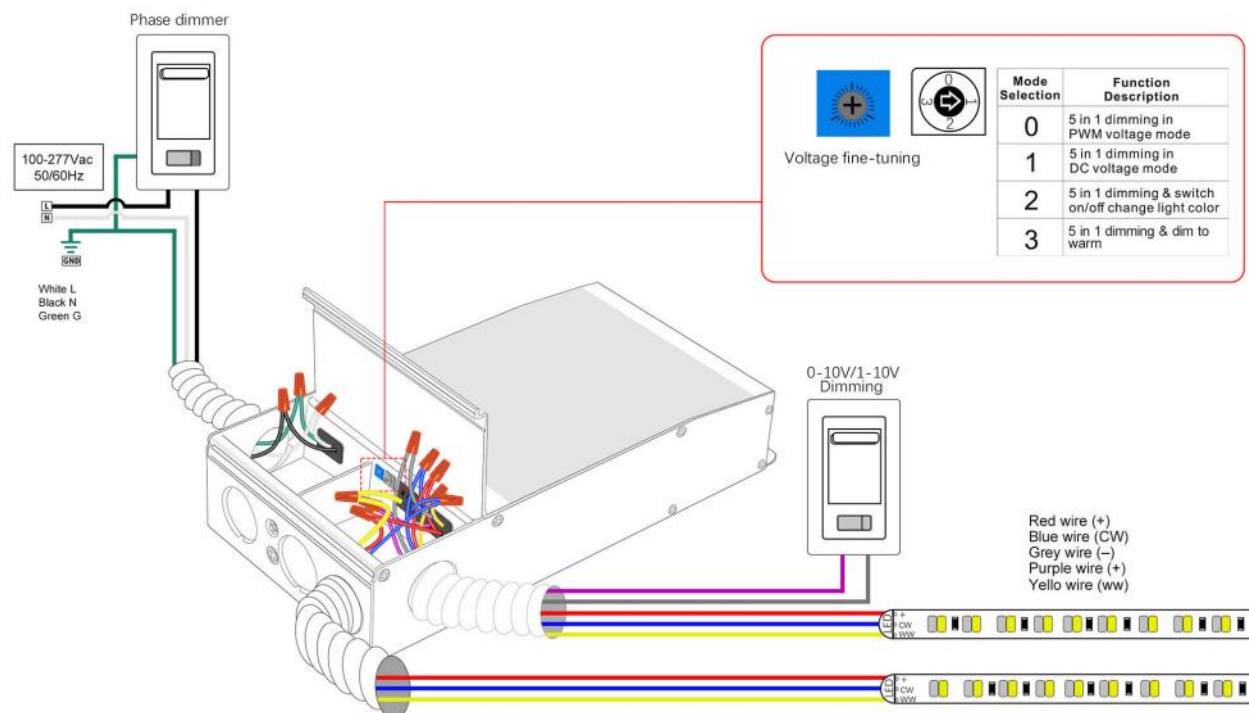
- Compatible with 5 in 1 dimming and dim to warm
- Switch to PWM or Voltage Reduction output selectable
- Multiple channel&Constant voltage mode and PWM style output
- UL/cUL Class 2 Listed
- Efficiency up to 90%
- 2/3/4/5 Way Universal dimming;Forward Phase, Reverse Phase, 0-10V, PWM, and Potentiometer
- Smooth flicker-free dimming down to 1%
- Typical lifetime > 50000 hours
- NEMA 3R Rated Enclosure for Indoor and Outdoor Use

Technical parameters

Wiring diagram schematic

Power 100W-200W * Single output (CCT&5 in 1 Dimming)
 Power 240W-400W * 2 Channels (CCT&5 in 1 Dimming)

For two-color led strip lighting



100W - 400W Constant Voltage LED Driver

Different versions



Flicker-free PF>0.95 Location: Dry/Damp/Wet 5-year warranty

| Dimming Style | Series | Power | Input voltage | Output voltage & Output current | | | | Size |
|--------------------|--------|-------|---------------------|---------------------------------|---------|---------|---------|--------------|
| | | | | 12V | 24V | 36V | 48V | |
| CCT&5 in 1 dimming | MCP | 100W | 100~277V 50/60Hz | 8.33A | 4.16A | 2.78A | 2.08A | 199*103*40mm |
| | | 120W | 100~277V 50/60Hz | 10A | 5A | 3.33A | 2.5A | 216*113*40mm |
| | | 150W | 100~277V 50/60Hz | 12.5A | 6.25A | 4.16A | 3.13A | 216*113*40mm |
| | | 200W | 100~277V 50/60Hz | 16.67A | 8.33A | 5.55A | 4.16A | 216*113*40mm |
| | | 240W | 100~277V 50/60Hz | 10A*2 | 5A*2 | 3.33A*2 | 2.5A*2 | 248*123*40mm |
| | | 300W | 100~277V 50/60Hz | 12.5A*2 | 6.25A*2 | 4.16A*2 | 3.12A*2 | 248*123*40mm |
| | | 360W | 100~277V 50/60Hz | 15A*2 | 7.5A*2 | 5A*2 | 3.75A*2 | 248*123*40mm |
| | | 400W | 100~277V 50/60Hz | / | 8.33A*2 | 5.55A*2 | 4.16A*2 | 248*123*40mm |

Constant voltage IP20 LED Drivers

12V 24V 36V 48V output

Supported functions

Non-dimming

Overview

The P series constant voltage LED Driver supports non-dimming, suitable for LED Tape/Strip Modules and other CV LED Fixtures.

Outstanding performance

- Plastic case
- IP20 Rated
- Non-isolated
- Short-circuit protection
- Temperature protection
- Overload protection
- Authoritative Certification
UL/cUL FCC CE RoHS

Different versions



Easy and safe installation

For indoor&outdoor use



3W - 60W Constant Voltage LED Driver

Technical parameters

UL[®] us FCC CE RoHS IP20

3-Year warranty Flicker-free Dimming rang:0-100%

| Picture | Series | Power | Model (xx=output voltage.yyyy=output current) | Output voltage& Output current | | | | Input voltage | Size |
|---------|--------|-------|---|-----------------------------------|-------|-------|--------|---------------------|-------------|
| | | | | 12V | 24V | 36V | 48V | | |
| | | 6W | ZF120A-xxxxxxx | 0.5A | 0.25A | 0.16A | 0.125A | | 42*40*20mm |
| | | 12W | ZF120A-xxxxxxx | 1A | 0.5A | 0.33A | 0.25A | | 76*38*24mm |
| | | 24W | ZF120A-xxxxxxx | 2A | 1A | 0.66A | 0.5A | | 94*44*24mm |
| | P | 36W | ZF120A-xxxxxxx | 3A | 1.5A | 1A | 0.75A | 100-240V 50/60Hz | 105*49*32mm |
| | | 48W | ZF120A-xxxxxxx | 4A | 2A | 1.33A | 1A | | 120*50*32mm |
| | | 60W | ZF120A-xxxxxxx | 5A | 2.5A | 1.66A | 1.25A | | 120*50*32mm |

Wiring diagram

