

MVP- series led driver approved UL Class 2 Class P standard. Single or Multiple channels output. PWM and Constant Voltage output mode with 5 in 1 dimming functions. Input voltage 100-277vac 50/60hz.

QUICK SPECS / MODELS

MODE	Constant Voltage & PWM
Input	100- 277 Vac
Voltage*	12V / 24V / 36V / 48V
Wattage	40-384 Watts



Note: To ensure optimal dimming performance, the driver requires a minimum load of 25%-80% of total capacity with Lutron, Leviton standard dimmers.



Product Features

Switching PWM and CV voltage mode

5 in 1 Dimmable options: a. Triac/Phase-cut/ELV/MLV dimming;

b. 0-10V, 1-10V, 10V PWM and Resistance dimming

Glue filling process, heat dissipation, waterproof and moisture-proof

High efficiency and energy saving, high PFC, flicker-free

Approved UL certificate, Class 2 Class P compliant. 5 years warranty

Warning

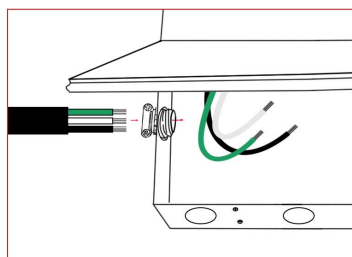
- Read instruction completely before installation.
- Turn off electricity before wiring.
- Only qualified personal should install the unit.
- Installation must comply with the NEC
- Ensure the unit has input, output voltage and output wattage proper for your application
- Ensure the installation environment is ventilated.
- Ensure the load is not overload.

Input Connection

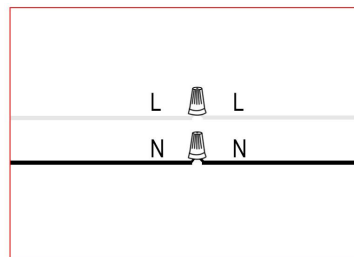
Bring your line and neutral wires and connect them to the driver's white (live) and black (neutral) power supply leads.



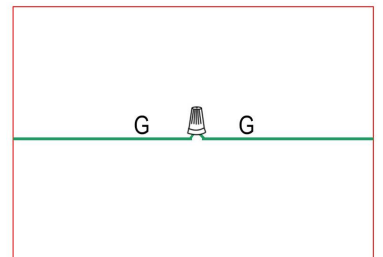
Ensure power is disconnected at the source



Route line voltage input wires and ground wire through strain relief and knockout.



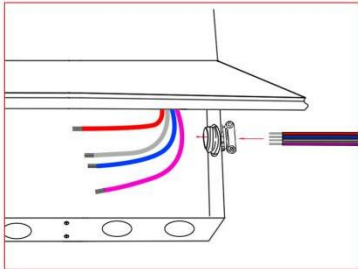
Connect white input wire (L) and black input wire (N) to line voltage.



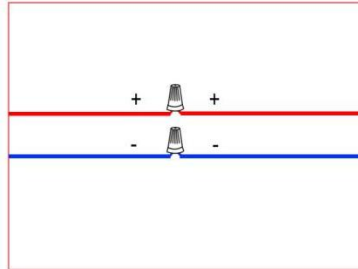
Connect green wire (ground) to input ground wire.

Output Connection

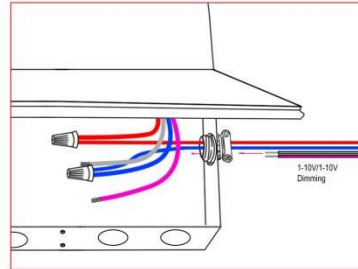
Bring your lights wires and connect to the driver's lead wires, V+ to Red, V- to Blue.



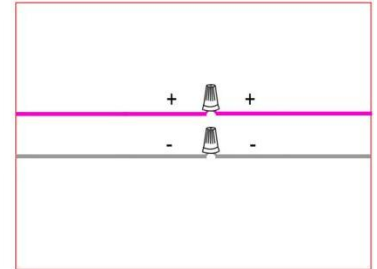
Route low voltage product wires through strain relief and knockout.



Securely connect driver's blue wire (-) and red wire (+) to low voltage product, matching polarity.



If applicable, route 0-10V / 1-10V dimming wires through strain relief and knockout.

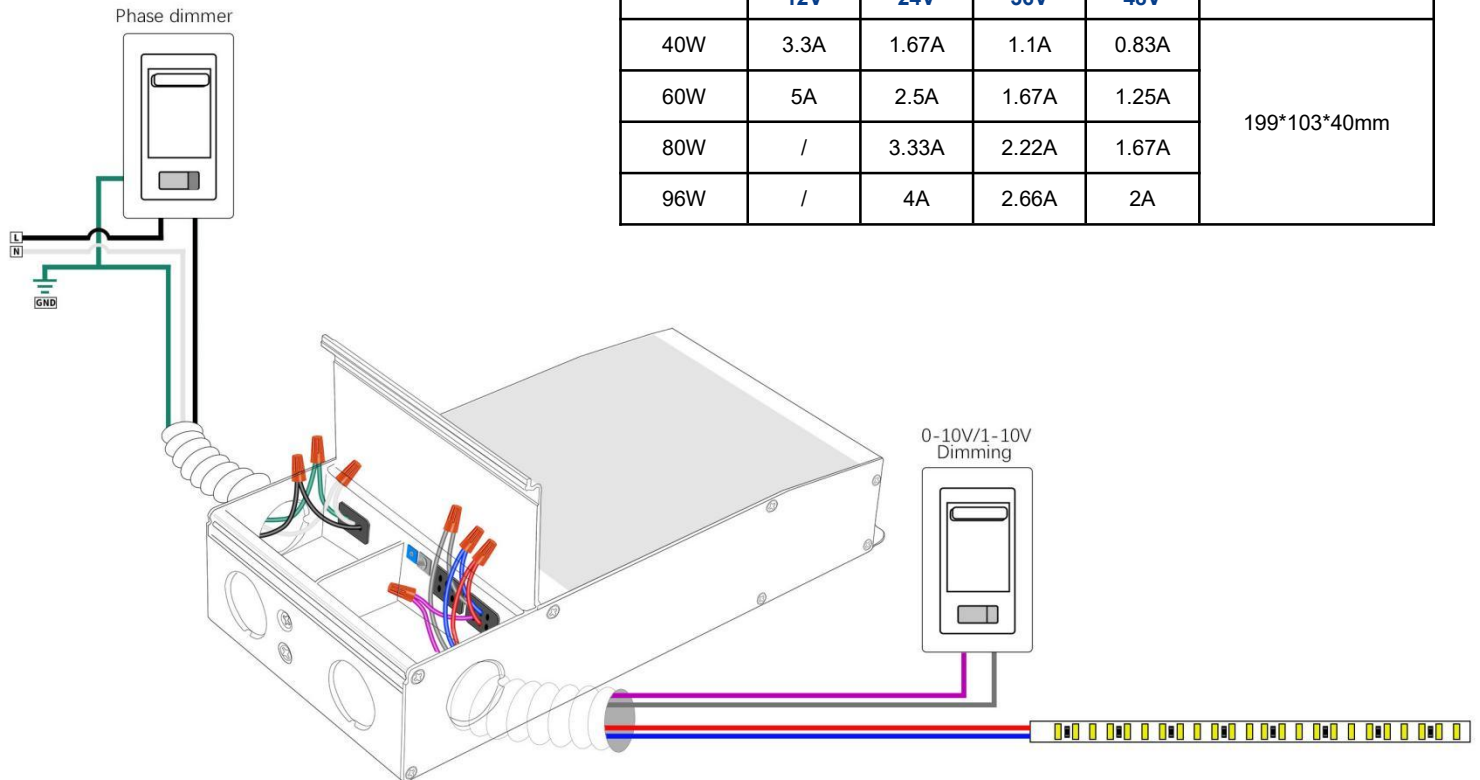


Connect grey wire (-) and purple wire (+) to dimmer, matching polarity. Secure wire compartment cover when completed.

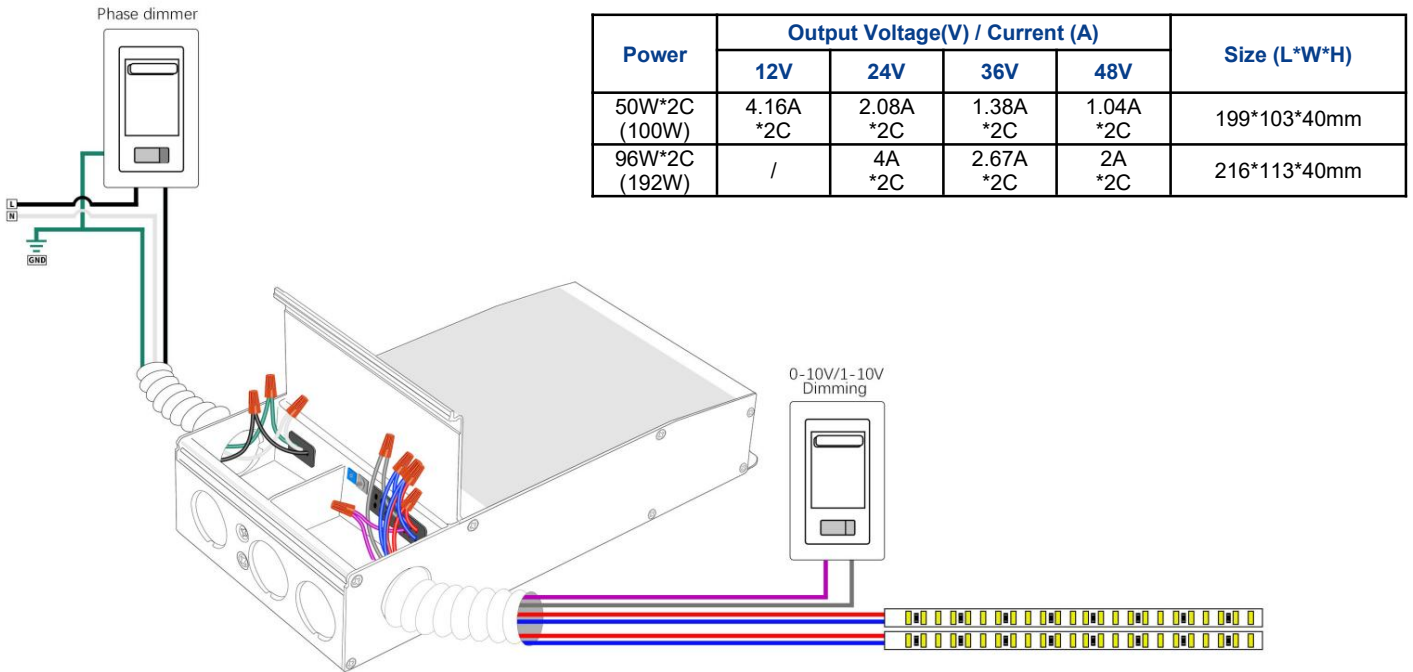
Wiring Diagram

a. Power * Single Channel Wiring Diagram (5 in 1 Dimming)

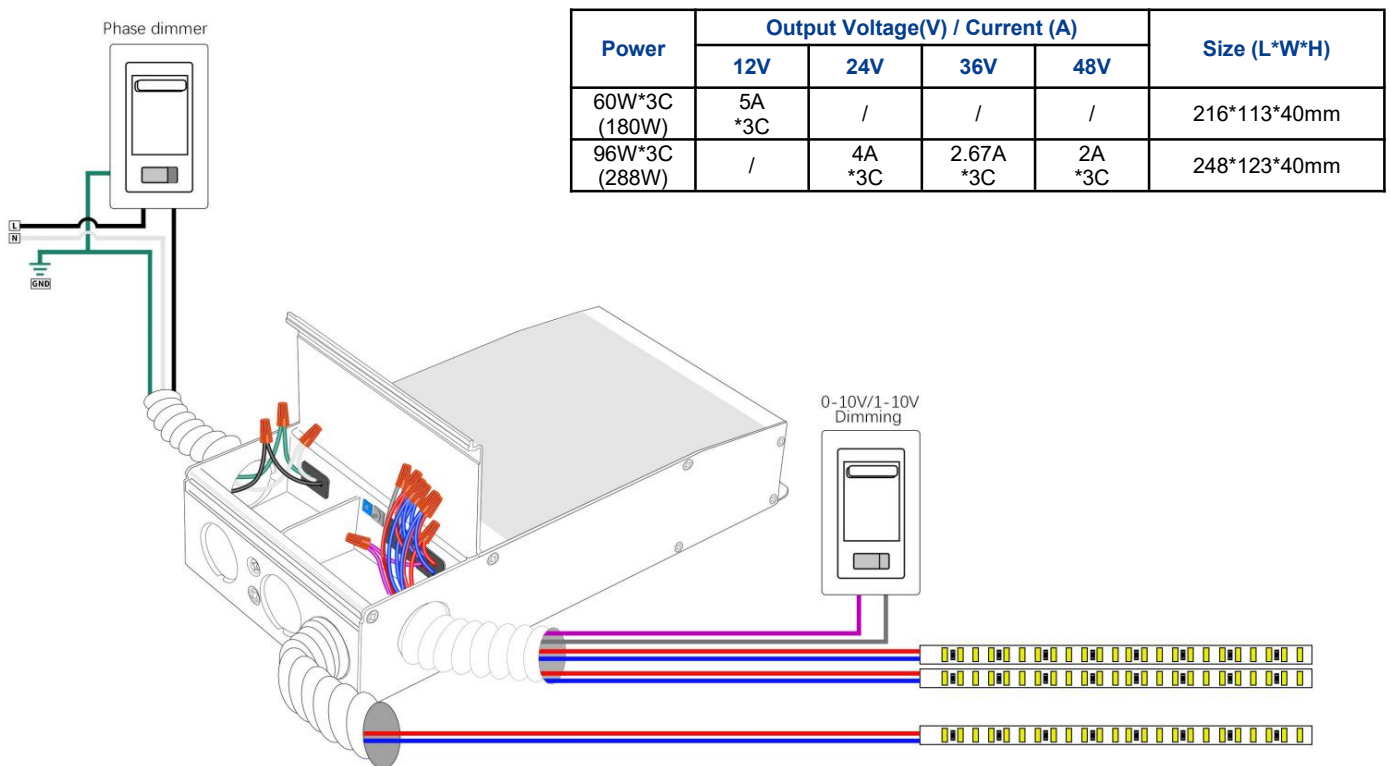
Power(W)	Output Voltage(V) / Current (A)				Size (L*W*H)
	12V	24V	36V	48V	
40W	3.3A	1.67A	1.1A	0.83A	199*103*40mm
60W	5A	2.5A	1.67A	1.25A	
80W	/	3.33A	2.22A	1.67A	
96W	/	4A	2.66A	2A	



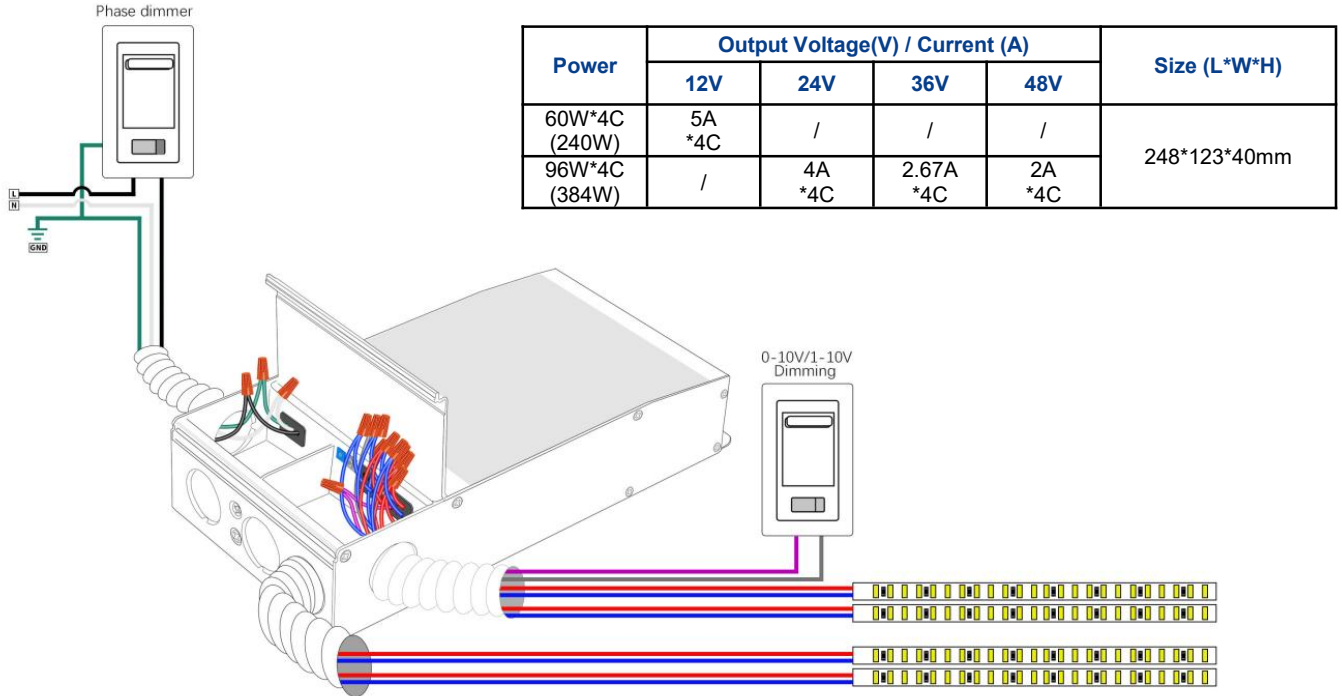
b. Power * 2 Channels Wiring Diagram (5 in 1 Dimming)



c. Power * 3 Channels Wiring Diagram (5 in 1 Dimming)



d. Power * 4 Channels Wiring Diagram (5 in 1 Dimming)



e. Power * 5 Channels Wiring Diagram (5 in 1 Dimming)

