



DM10R4(DM-24V10A4)
Product instruction manual
V1.1

Product Features

- 1、 The OLED screen combined with the touch button interaction mode, the display content is intuitive and the operation is easily.
- 2、 A total of 4 channels of output, each channel maximum 10A, total power up to 960W.
- 3、 It has overcurrent, short circuit, over temperature protection and automatic recovery, as well as fault reminder function.
- 4、 Supports manual and long-distance automatic addressing, using our company's addressing device for long-distance automatic addressing (UCS512D protocol).
- 5、 Master slave mode can be set, with 42 built-in effects.
- 6、 Adjustable Dimming curve can be set, built-in Gamma 1.0, 2.0, 2.2, 2.4.
- 7、 Port refresh rate can be set, up to 4Khz.
- 8、 The DMA interface offers 3 pin XLR and RJ45 options, with built-in enhanced surge protection.

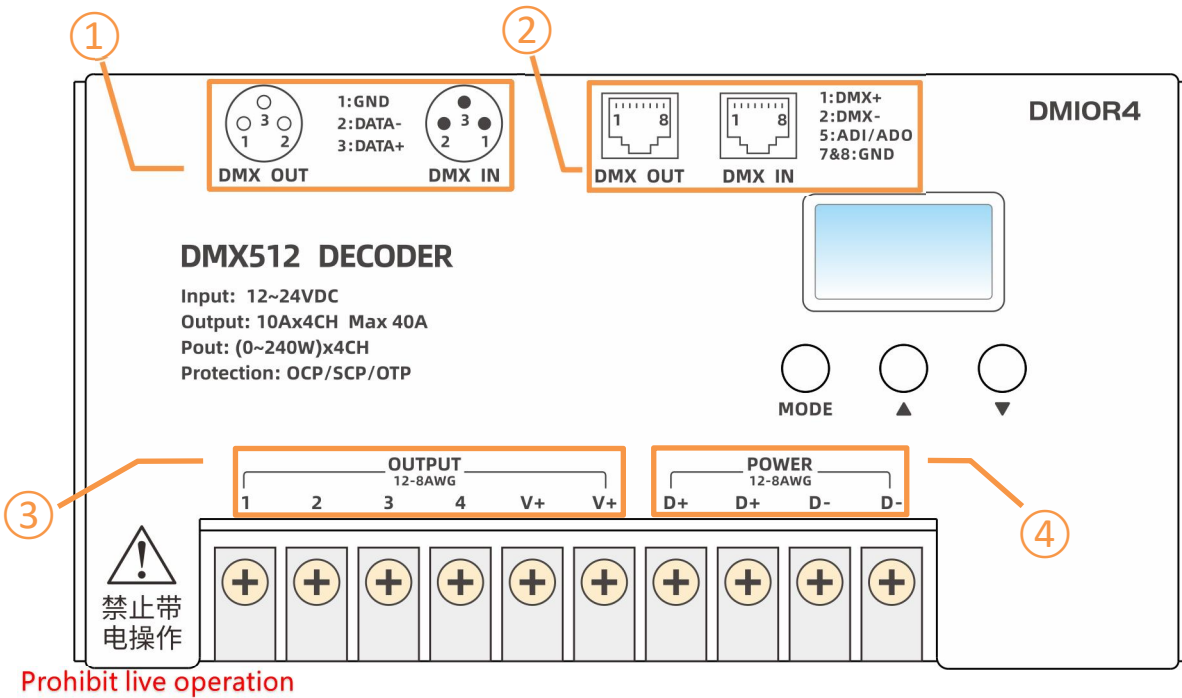
Technical Parameter

Input signal:	Standard DMX512/250Kbps
Input voltage:	DC12-24V(depends on load)
Load current:	10A x 4CH Max 40A
Output power:	0~240W × 4CH Max 960W
Module channel:	Each decoder occupies 4 consecutive channels
Module address:	Address 1-512 can be set by pressing a button or by addressing the UCS512D protocol
DMX interface:	Ethernet port(RJ45)、 Canon seat(3-XLR)
Dimming curve:	Built-in 4 dimming curves Gamma 1.0, 2.0, 2.2, 2.4
Gray level:	65535 level (256 level correction)
Protection:	Short circuit, overcurrent, overheat protection, automatic recovery
Product size:	17.5×7.7×4.0 cm (L×W×H)
Product weight:	420g

Environmental Specifications

Operating temperature:	-25℃ - 65℃
Storage temperature:	-40℃ - 80℃
Ambient humidity:	10% - 95% RH
Cooling mode:	Natural air cooling

Interface diagram



① Canon seat interface

Pin1 : GND

Pin2 : Connect to the DMA signal D+

Pin3 : Connect to the DMA signal D-

② Network interface

8-core Ethernet cable interface

Pin1 : Connect to DMX signal D+

Pin2 : Connect to DMX signal D-

Pin5 : ADI/ADO Addressing line

Pin7 & 8 : GND

③ Lamp output interface

V+ : Common positive end, Connected to VCC lighting fixture

1 : Connect to the luminaire R channel

2 : Connect to the luminaire G channel

3 : Connect to the luminaire B channel

4 : Connect to the luminaire W channel

④ DC power supply interface

Power supply voltage 12-24V

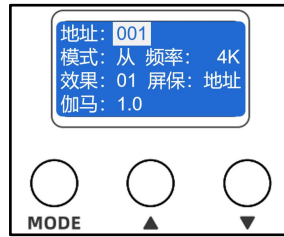
D+ : Connected to switch power supply VCC

D- : Connected to switch power supply GND

Note: Canon seat and network cable interface are the same signal (choose one of two)

OLED interface

1、Home Screen & Buttons



MODE : Click to switch directories, display the current directory in reverse color in screensaver mode, long press to unlock

▲ & ▼ : Click to adjust the parameters of the current directory

2、DMA address settings



Click ▲ or ▼ to set
Set the local DMX address

Range: 1-512

3、Master slave mode switching



Click ▲ or ▼ to set

Can be set to 【 Master / Slave 】

4、PWM frequency



Click ▲ or ▼ to set

Select output PWM frequency

Options: 500 / 800 / 1K / 4K (unit: Hz)

5、Built-in effect



Click ▲ or ▼ to set

In host mode, 42 output effects are preset internally

Details can be found in [Table 1, built-in effects](#)

Range: 1 to 42

6、screensaver



Click ▲ or ▼ to set

Select the display interface in screen saver mode

Options:

关 Display the current main interface during screen saver

地址 Display local address during screen saver

黑 Close the screen while the screensaver is running

7、Gamma setting



Click ▲ or ▼ to set

Select the gamma dimming curve

Range: 1.0 / 2.0 / 2.2 / 2.4

Function Description

Slave mode

When the decoder is set to slave mode, the DMA signal is received through the Canon socket/Ethernet interface, and the constant voltage luminaire is directly driven after decoding.

Host mode

When the decoder is set to host mode, it can be used as an offline master control without an external DMX controller.

Provides 42 kinds of built-in effects, you can select the "效果" directory to set, easy to debug and use simple application scenarios.

编号 No.	效果 effect	编号 No.	效果 effect	编号 No.	效果 effect	编号 No.	效果 effect
1	Red always bright	12	Full color always bright	23	White Jump	34	Cyan gradually brightens and darkens
2	Green always bright	13	Red Jump	24	Full color Jump	35	Purple gradually brightens and darkens
3	Blue always bright	14	Green Jump	25	7 Color gradient	36	Red + Orange gradually brightens and darkens
4	Orange always bright	15	Blue Jump	26	Full color flowing water	37	Green + Orange gradually brightens and darkens
5	Yellow always bright	16	Orange Jump	27	7 Color tail	38	Blue + Orange gradually brightens and darkens
6	Cyan always bright	17	Yellow Jump	28	8 Colored flowing water	39	White gradually brightens and darkens
7	Purple always bright	18	Cyan Jump	29	Red gradually brightens and darkens	40	Full color gradually brightens and darkens
8	Red + Orange always bright	19	Purple Jump	30	Green gradually brightens and darkens	41	7 Colcor Jump
9	Green + Orange always bright	20	Red + Orange Jump	31	Blue gradually brightens and darkens	42	All black

10	Blue + Orange always bright	21	Green + Orange jump	32	Orange gradually brightens and darkens		
11	White always bright	22	Blue + Orange jump	33	Yellow gradually brightens and darkens		

Table 1. Built-in effects

Note: Only one host decoder can exist simultaneously in the same signal network

DMA address settings

- 1、 You can select the "地址" directory by pressing the button to directly set the DMX address of each driver
- 2、 Supports the UCS512D addressing protocol, with can use one-click sequential addressing when using Ethernet port (RJ45) for wiring.
- 3、 The address setting range is 1-512, with each decoder occupying four channels, and up to 128 different addresses can be set.

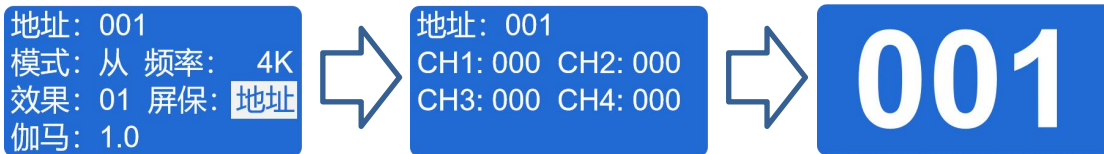
DMX address setting example:

Decoder Number	1	2	3	4
DMX Address	1	5	9	13

Screen Saver Function

When there is no operation for a long time,the decoder will automatically enter screen saver mode to prevent accidental triggering

- 1、 Screen saver is set to: 地址 (address)
- 2、 After 10s of no operation, display the address value and the values of each channel
- 3、 After 2 minutes of inactivity, the screen will lock and the address value will be displayed



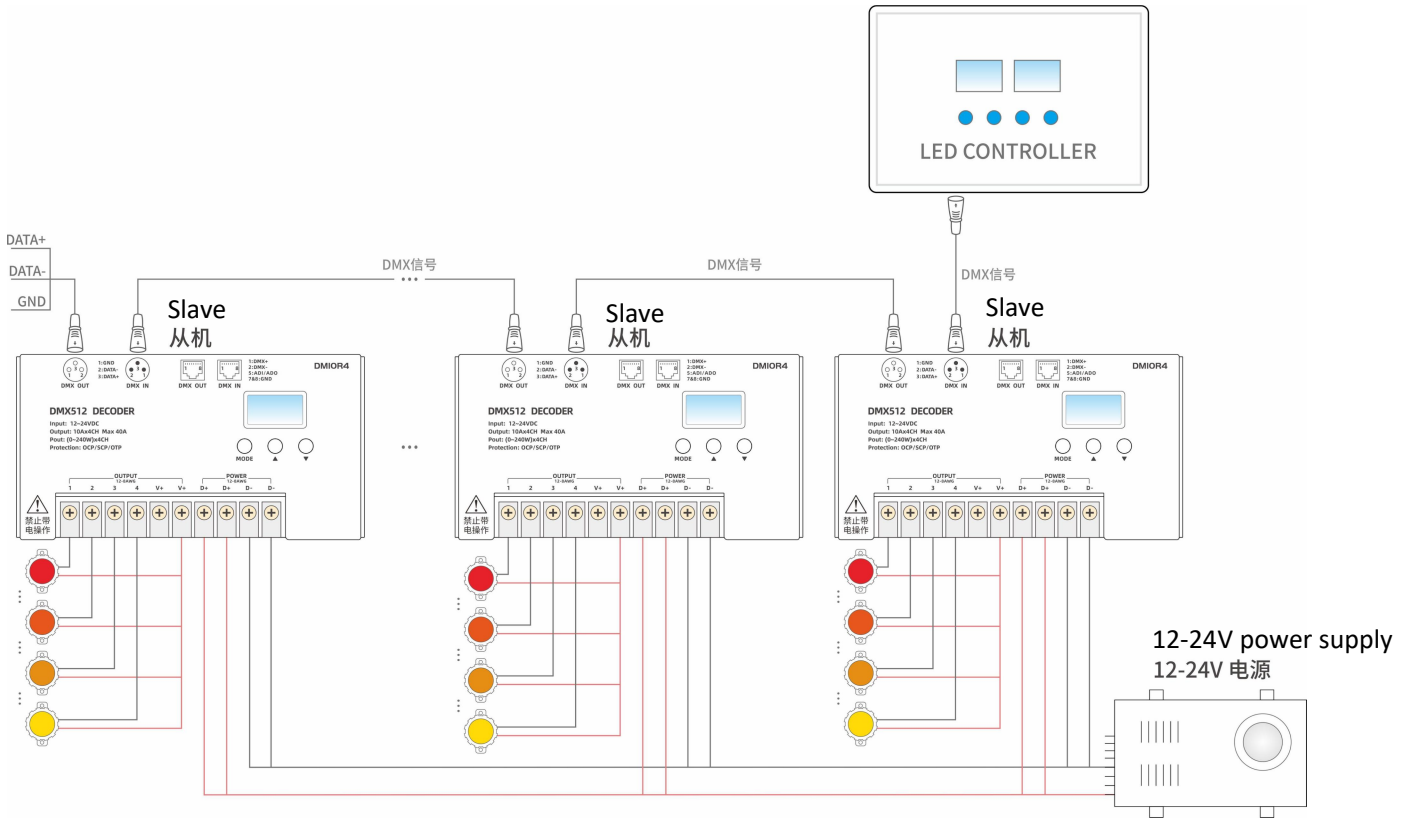
- 4、 In screensaver mode, click any key to display the unlock operation
- 5、 Press and hold the MODE button to unlock
- 6、 After being unlocked, the main screen is displayed



Wiring Instructions

Slave mode wiring diagram

All decoders are set to slave



Host mode wiring diagram

The first decoder is set to the host, and the remaining decoders are set to the slave

