

Y Series I/O Modules

4CH Relay Output Module Y24



Y24

User Manual

Version: V1.0

Date: 2024-12-19

Shenzhen Beilai Technology Co.,Ltd

Website: <https://www.bliiot.com>

Preface

Thanks for choosing BLIIoT Y series I/O modules. These operating instructions contain all the information you need for operation of Y series I/O modules.

Copyright

This user manual is owned by Shenzhen Beilai Technology Co., Ltd. No one is authorized to copy, distribute or forward any part of this document without written approval of Shenzhen Beilai Technology. Any violation will be subject to legal liability.

Disclaimer

This document is designed for assisting user to better understand the device. As the described device is under continuous improvement, this manual may be updated or revised from time to time without prior notice. Please follow the instructions in the manual. Any damages caused by wrong operation will be beyond warranty.

Revision History

Revision Date	Version	Description	Owner
2024/12/19	V1.0	Initial Release	HYQ

Table of Contents

1 Introduction	4
1.1 Overview	4
1.2 Technical Specifications	4
2 Wiring	4
2.1 Terminal Definitions	4
2.2 Connection Example	6
3 Warranty Terms	6
4 Technical Support	6

1 Introduction

1.1 Overview

The Y24 relay output module is one of the Y series I/O modules for IOy series and ARMxy series products.

The relay output module features 4 relay output channels, DO1 to DO4, designed for controlling automation equipment. All 4 channels are normally open outputs.

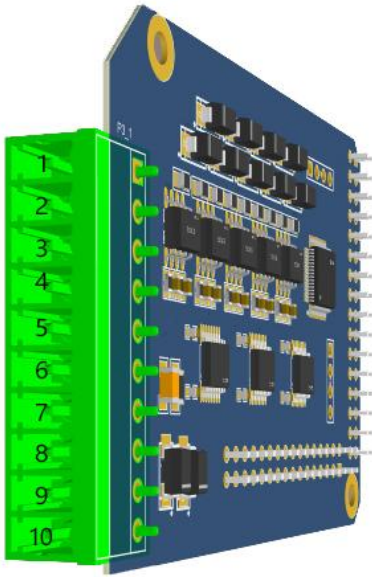
1.2 Technical Specifications

Name	Parameter	Description
Power Supply	Operating Voltage	Internal Voltage
	Power Consumption	0.85W
Relay Output	Channel	4 Channels
	Output Type	Relay Output
	Maximum switching voltage	250VAC/30VDC
	Maximum switching current	2A
	Switching Power	30W
	Isolation Protection	2KVrms
Certifications	EMC	IEC 61000-4-2 (ESD) Level 3
		IEC 61000-4-4 (EFT) Level 3
		IEC 61000-4-5 (Surge)Level 3

2 Wiring

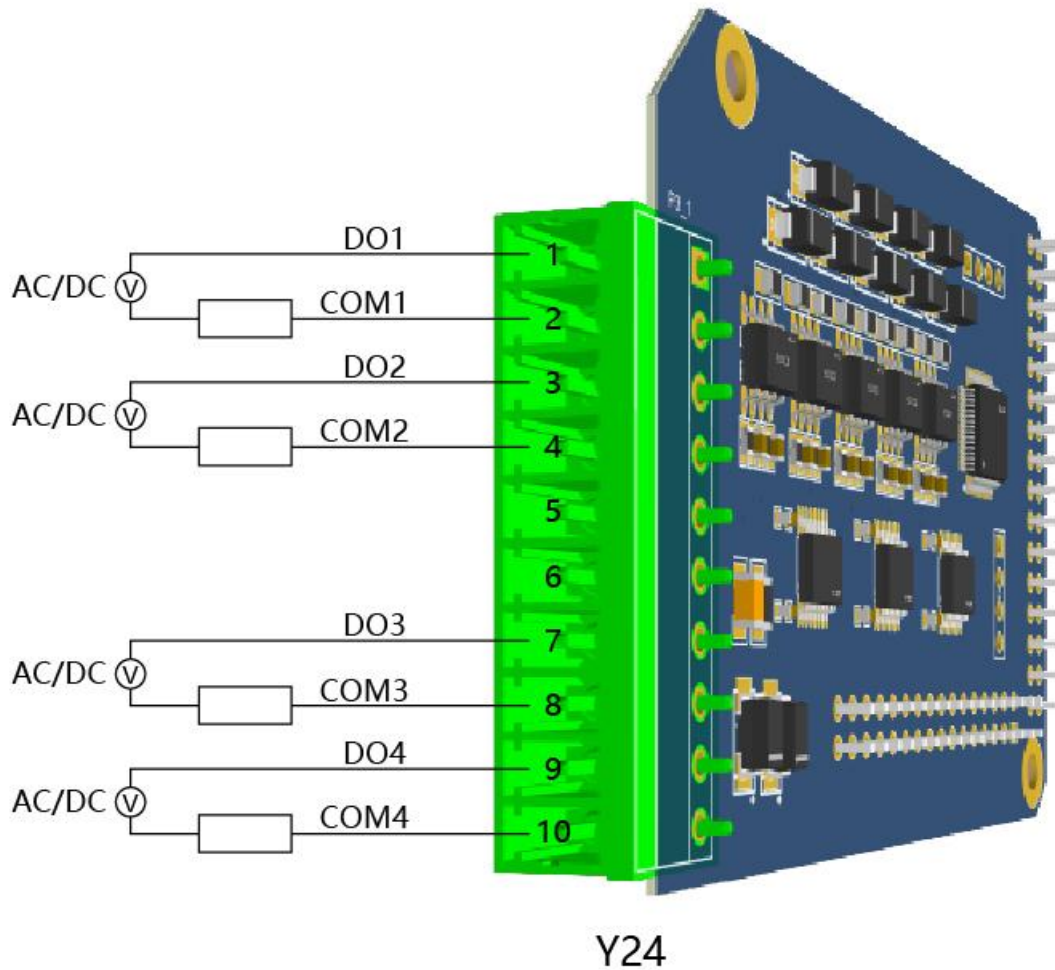
2.1 Terminal Definitions

Notice: Please refer to the product's label for the specific terminal numbering sequence.



Name	Definition	Description	Name	Definition	Description
1	DO1	First relay output	6	Empty pin	
2	COM1		7	DO3	Third relay output
3	DO2	Second relay output	8	COM3	
4	COM2		9	DO4	Fourth relay output
5	Empty pin	10	COM4		

2.2 Connection Example



3 Warranty Terms

- 1) This equipment will be repaired free of charge for any material or quality problems within one year from the date of purchase.
- 2) This one-year warranty does not cover any product failure caused by man-made damage, improper operation, etc

4 Technical Support

Shenzhen Beilai Technology Co., Ltd
 Website: <https://www.bliiot.com>