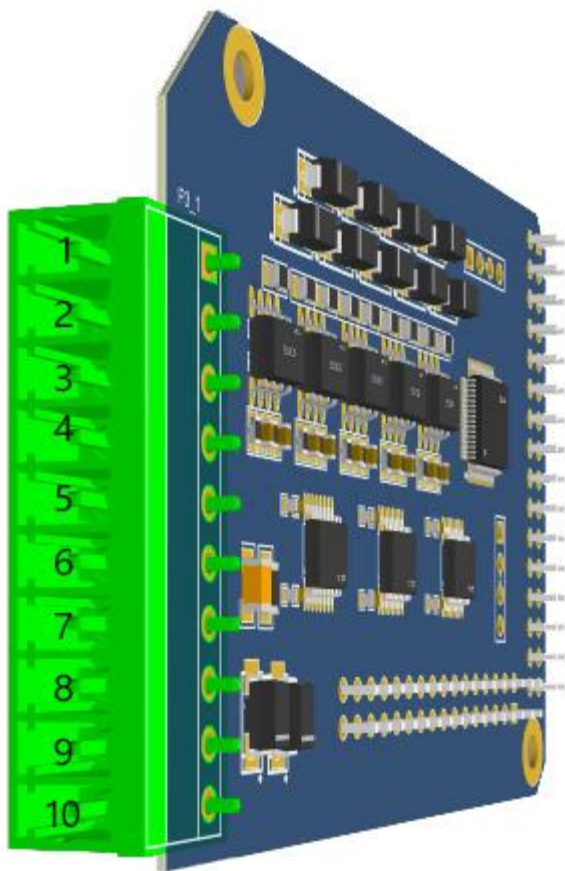


Y Series I/O Modules

8CH Digital Input Output Module Y01/Y02



Y01/Y02

User Manual

Version: V1.0

Date: 2024-12-17

Shenzhen Beilai Technology Co.,Ltd

Website: <https://www.bliiot.com>

Preface

Thanks for choosing BLIIoT Y series I/O modules. These operating instructions contain all the information you need for operation of Y series I/O modules.

Copyright

This user manual is owned by Shenzhen Beilai Technology Co., Ltd. No one is authorized to copy, distribute or forward any part of this document without written approval of Shenzhen Beilai Technology. Any violation will be subject to legal liability.

Disclaimer

This document is designed for assisting user to better understand the device. As the described device is under continuous improvement, this manual may be updated or revised from time to time without prior notice. Please follow the instructions in the manual. Any damages caused by wrong operation will be beyond warranty.

Revision History

Revision Date	Version	Description	Owner
2024/12/17	V1.0	Initial Release	HYQ

Table of Contents

1 Introduction	4
1.1 Overview	4
1.2 Technical Specifications	4
1.3 Model Selection	5
2 Wiring	5
2.1 Terminal Definitions	5
2.2 Connection Example	6
3 Warranty Terms	6
4 Technical Support	6

1 Introduction

1.1 Overview

The Y01/Y02 digital input output I/O module is one of the Y series I/O modules for IOy series and ARMxy series products.

The digital input output module features 4 digital input channels and 4 digital output channels, labeled DI1...DI4 and DO1...DO4. It is widely used in industrial automation and control systems.

To enhance system reliability and stability, the module employs effective isolation technology, preventing interference between different signals and safeguarding the integrity of both equipment and data.

1.2 Technical Specifications

Name	Parameter	Description
Power Supply	Operating Voltage	Internal Voltage
	Power Consumption	0.48W
Digital Input	Channel	4 Channels
	Triggering Method	Y01: Low-level trigger Y02: High-level trigger
	Logic level	Y01: Logic 1: +15 to +30VDC Logic 0: -3 to +5VDC Common terminal: Connect to power + Y02: Logic 1: +15 to +30VDC Logic 0: -3 to +5VDC Common terminal: 0VDC
	Isolation protection	2KVrms
Digital Output	Channel	4 Channels
	Output Mode	Single-Ended Output
	Output Type	Y01: Output is active low, providing a 0VDC signal when activated. Y02: Output is active high, providing a 24VDC signal when activated.
	Maximum Output Current per Channel	200mA
	Isolation protection	2KVrms

Certifications	EMC	IEC 61000-4-2 (ESD) Level 3
		IEC 61000-4-4 (EFT) Level 3
		IEC 61000-4-5 (Surge)Level 3

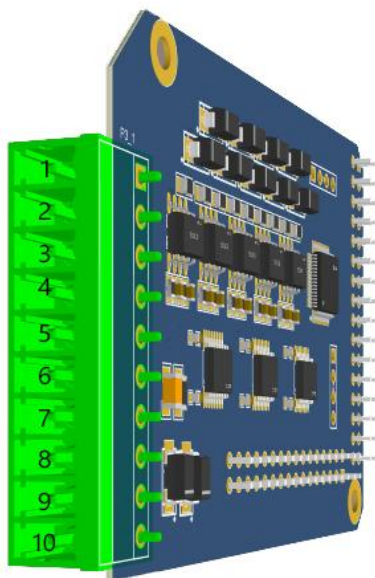
1.3 Model Selection

No.	Name	Model	Channel	Signal Type
1	8-channel digital input output module	Y01	8	4DI (Low-Level Trigger) 4DO (Low-Level Output)
2	8-channel digital input output module	Y02	8	4DI (High-Level Trigger) 4DO (High-Level Output)

2 Wiring

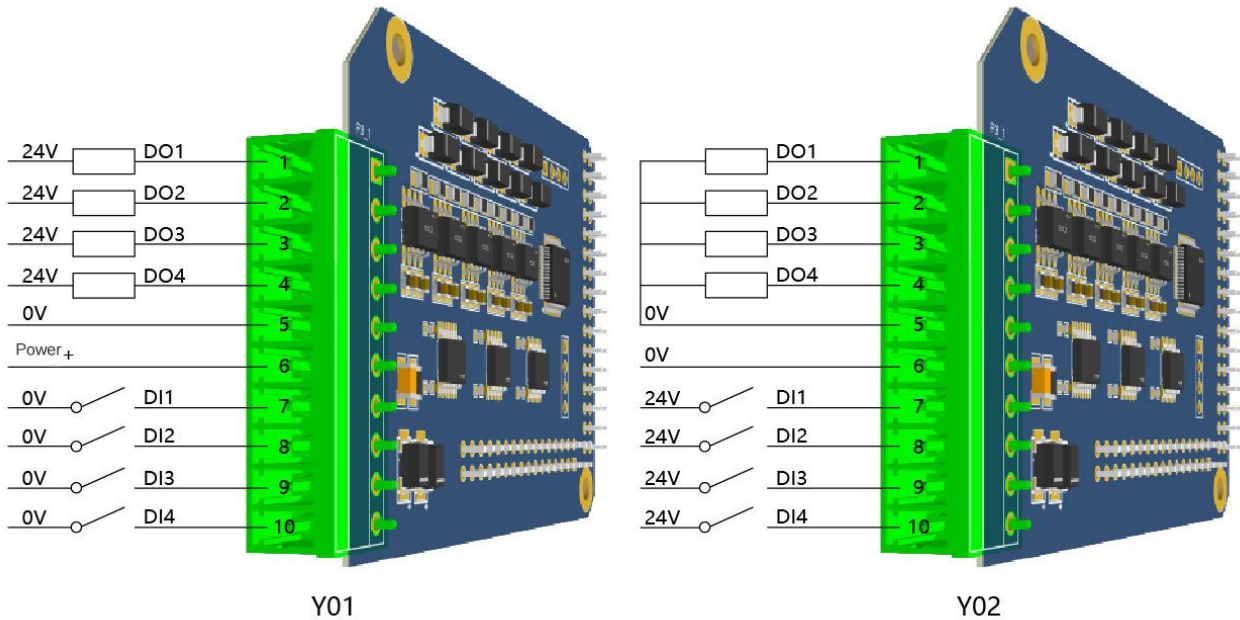
2.1 Terminal Definitions

Notice: Please refer to the product's label for the specific terminal numbering sequence.



Terminal NO.	Definition	Description	Terminal NO.	Definition	Description
1	DO1	First digital output	6	DICOM	DI Common ground
2	DO2	Second digital output	7	DI1	First digital input
3	DO3	Third digital output	8	DI2	Second digital input
4	DO4	Fourth digital output	9	DI3	Third digital input
5	DOCOM	DO Common ground	10	DI4	Fourth digital input

2.2 Connection Example



3 Warranty Terms

- 1) This equipment will be repaired free of charge for any material or quality problems within one year from the date of purchase.
- 2) This one-year warranty does not cover any product failure caused by man-made damage, improper operation, etc

4 Technical Support

Shenzhen Beilai Technology Co., Ltd

Website: <https://www.bliiot.com>