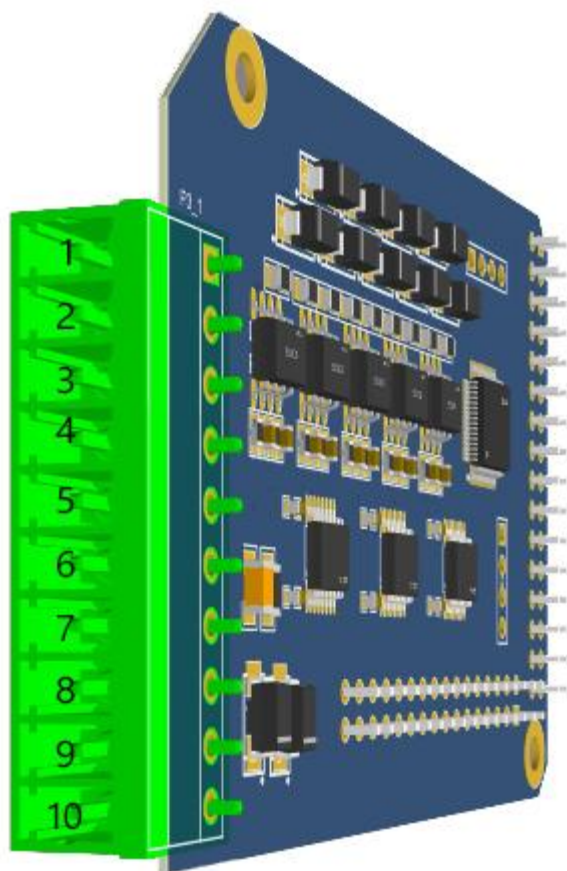


Y Series I/O Modules

4CH Current Output Module Y41



Y41 User Manual

Version: V1.0

Date: 2024-11-27

Shenzhen Beilai Technology Co.,Ltd

Website: <https://www.bliiot.com>

Preface

Thanks for choosing BLIIoT Y series I/O modules. These operating instructions contain all the information you need for operation of Y series I/O modules.

Copyright

This user manual is owned by Shenzhen Beilai Technology Co., Ltd. No one is authorized to copy, distribute or forward any part of this document without written approval of Shenzhen Beilai Technology. Any violation will be subject to legal liability.

Disclaimer

This document is designed for assisting user to better understand the device. As the described device is under continuous improvement, this manual may be updated or revised from time to time without prior notice. Please follow the instructions in the manual. Any damages caused by wrong operation will be beyond warranty.

Revision History

Revision Date	Version	Description	Owner
2024/11/27	V1.0	Initial Release	HYQ

Table of Contents

1 Introduction	4
1.1 Overview	4
1.2 Technical Specifications	4
2 Wiring	4
2.1 Terminal Definitions	4
2.2 Connection Example	6
3 Warranty Terms	6
4 Technical Support	6

1 Introduction

1.1 Overview

The Y41 current output module is one of the Y series I/O modules for IOy series and ARMxy series products.

This module features 4 output channels: AO1, AO2, AO3, and AO4, and it can output current signals in the ranges of 0-20mA or 4-20mA for controlling field device actuators.

Each output channel is electrically isolated, and the signal is transmitted with 12-bit resolution.

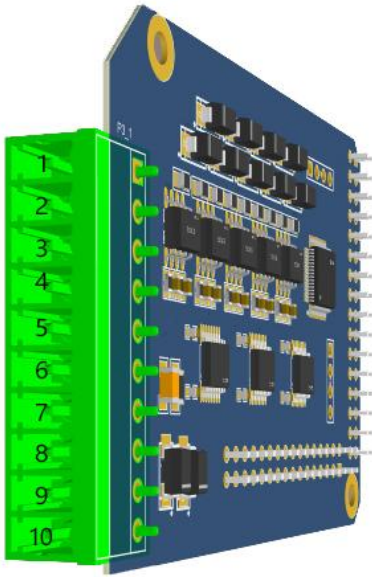
1.2 Technical Specifications

Name	Parameter	Description
Power Supply	Operating Voltage	Internal Voltage
	Power Consumption	2.4W
Current Output	Channels	4 channels
	Output Type	0-20mA and 4-20mA
	Resolution	12Bit
	Accuracy	±0.1 % FSR @ 25 °C
	Conversion Time	10ms
	Input Impedance	≤1kΩ
Certifications	EMC	IEC 61000-4-2 (ESD) Level 3
		IEC 61000-4-4 (EFT) Level 3
		IEC 61000-4-5 (Surge)Level 3

2 Wiring

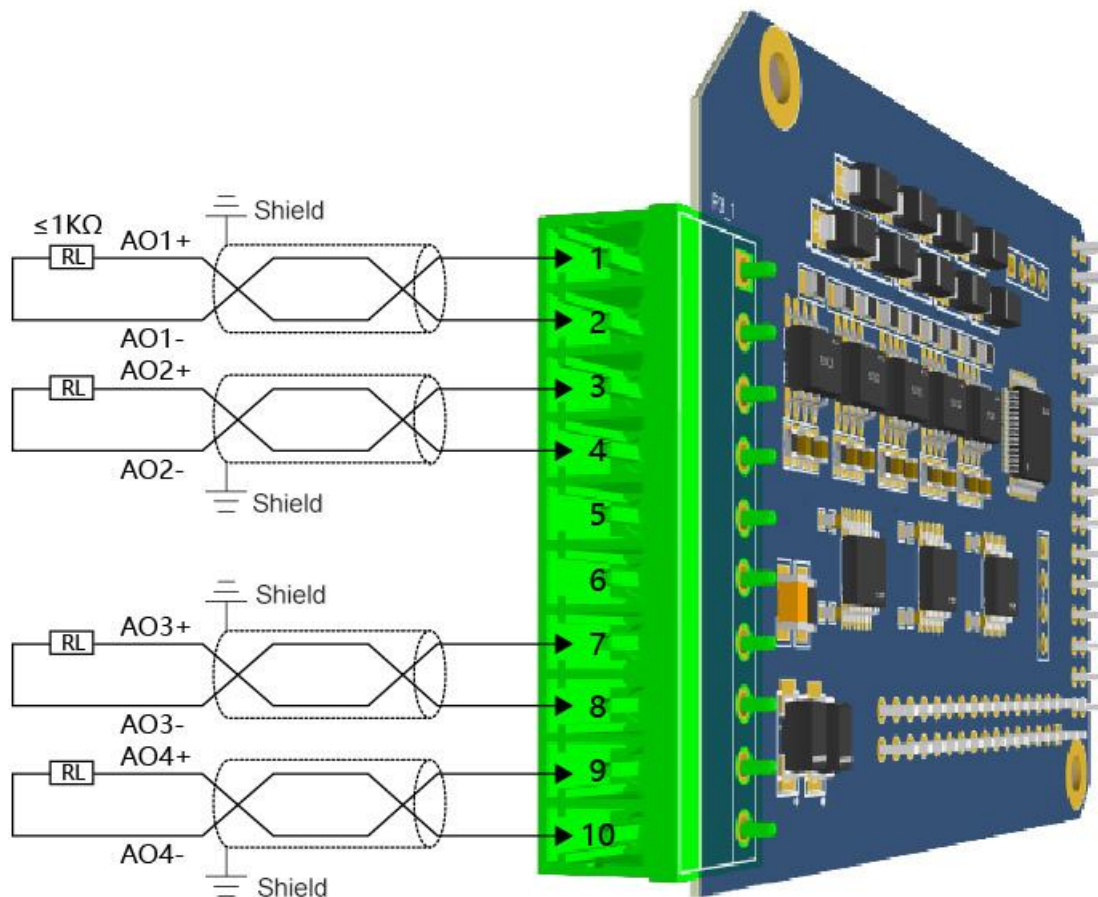
2.1 Terminal Definitions

Notice: Please refer to the product's label for the specific terminal numbering sequence.



Terminal NO.	Definition	Description	Terminal NO.	Definition	Description
1	AO1+	Analog output channel 1	3	AO2+	Analog output channel 2
2	AO1-		4	AO2-	
5	GND	Common ground	6	GND	Common ground
7	AO3+	Analog output channel 3	9	AO4+	Analog output channel 4
8	AO3-		10	AO4-	

2.2 Connection Example



3 Warranty Terms

- 1) This equipment will be repaired free of charge for any material or quality problems within one year from the date of purchase.
- 2) This one-year warranty does not cover any product failure caused by man-made damage, improper operation, etc

4 Technical Support

Shenzhen Beilai Technology Co., Ltd
 Website: <https://www.bliiot.com>