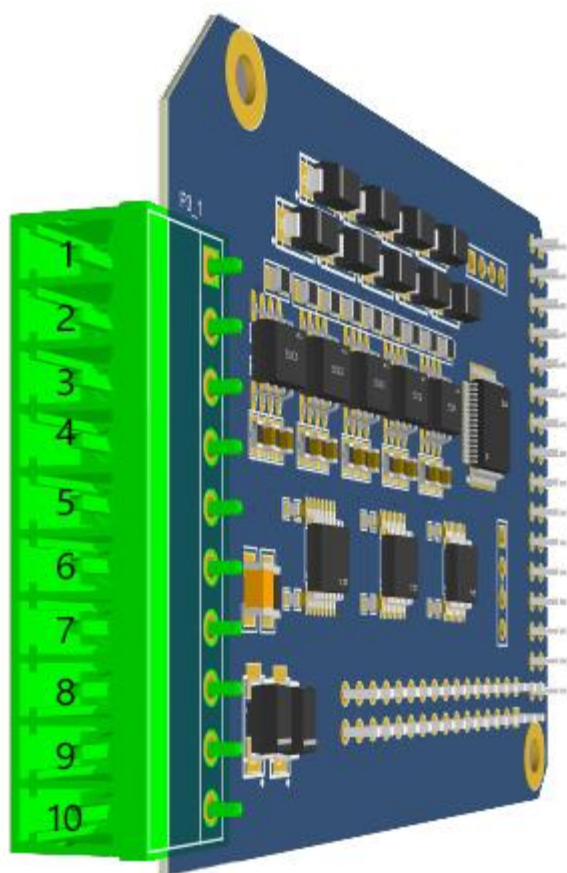


Y Series I/O Modules

4CH Voltage Output Module Y43/Y46



Y43/Y46 User Manual

Version: V1.0

Date: 2024-12-19

Shenzhen Beilai Technology Co.,Ltd

Website: <https://www.bliiot.com>

Preface

Thanks for choosing BLIIoT Y series I/O modules. These operating instructions contain all the information you need for operation of Y series I/O modules.

Copyright

This user manual is owned by Shenzhen Beilai Technology Co., Ltd. No one is authorized to copy, distribute or forward any part of this document without written approval of Shenzhen Beilai Technology. Any violation will be subject to legal liability.

Disclaimer

This document is designed for assisting user to better understand the device. As the described device is under continuous improvement, this manual may be updated or revised from time to time without prior notice. Please follow the instructions in the manual. Any damages caused by wrong operation will be beyond warranty.

Revision History

Revision Date	Version	Description	Owner
2024/12/19	V1.0	Initial Release	HYQ

Table of Contents

1 Introduction	4
1.1 Overview	4
1.2 Technical Specifications	4
1.3 Model Selection	4
2 Wiring	5
2.1 Terminal Definitions	5
2.2 Connection Example	6
3 Warranty Terms	6
4 Technical Support	6

1 Introduction

1.1 Overview

The Y43/Y46 voltage output module is one of the Y series I/O modules for IOy series and ARMxy series products.

This module features 4 output channels: AO1, AO2, AO3, and AO4, capable of outputting voltage signals of 0 - 5V, 0 - 10V, -5 - 5V, and -10 - 10V to control field equipment.

Each output channel is electrically isolated, and signals are transmitted with 16-bit resolution.

1.2 Technical Specifications

Name	Parameter	Description
Power Supply	Operating Voltage	Internal Voltage
	Power Consumption	2.6W
Analog Input	Channels	4CH
	Output Type	0-5V / 0-10V, -5-5V / -10-10V
	Resolution	16Bit
	Accuracy	±0.1 % FSR @ 25 °C
	Conversion Time	20ms
	Load Impedance	≥5kΩ
Certifications	EMC	IEC 61000-4-2 (ESD) Level 3
		IEC 61000-4-4 (EFT) Level 3
		IEC 61000-4-5 (Surge)Level 3

1.3 Model Selection

No.	Name	Model	Channel	Signal Type
1	4-Channel Analog Output Module	Y43	4	0-5V/0-10V
2	4-Channel Analog Output Module	Y46	4	-5-5V/-10-10V

2 Wiring

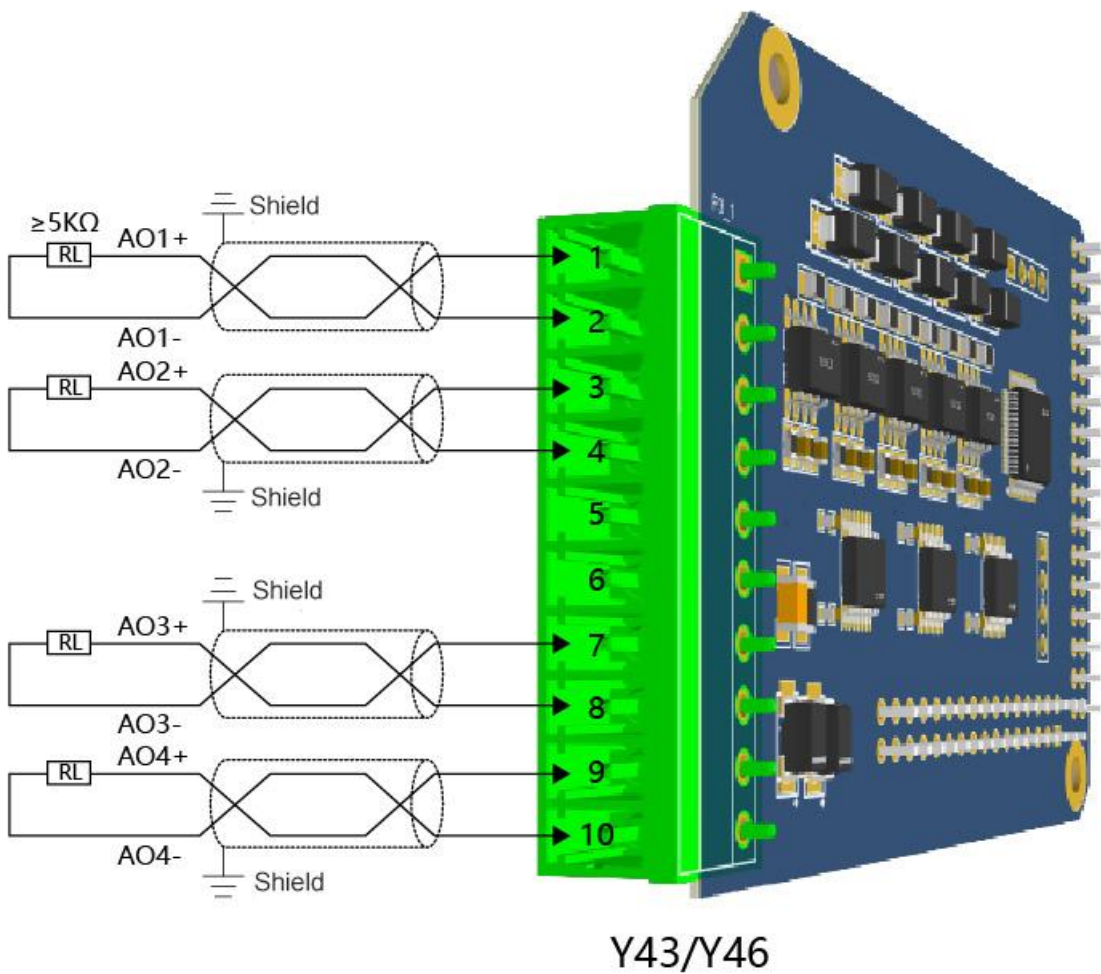
2.1 Terminal Definitions

Notice: Please refer to the product's label for the specific terminal numbering sequence.



Terminal NO.	Definition	Description	Terminal NO.	Definition	Description
1	AO1+	Analog output channel 1	3	AO2+	Analog output channel 2
2	AO1-		4	AO2-	
5	GND	AO ground pin	6	GND	AO ground pin
7	AO3+	Analog output channel 3	9	AO4+	Analog output channel 4
8	AO3-		10	AO4-	

2.2 Connection Example



3 Warranty Terms

- 1) This equipment will be repaired free of charge for any material or quality problems within one year from the date of purchase.
- 2) This one-year warranty does not cover any product failure caused by man-made damage, improper operation, etc

4 Technical Support

Shenzhen Beilai Technology Co., Ltd

Website: <https://www.bliiot.com>