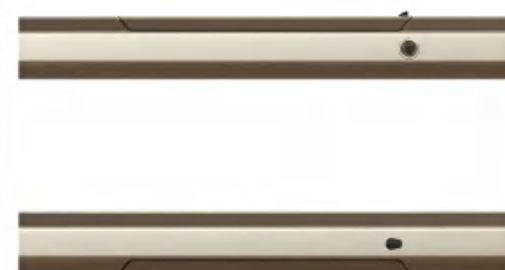




虬龙 4 Qiulong 4



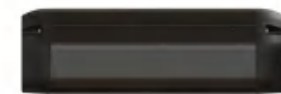
Number OF Cores	Pack Type	Capacity
40x21700(5000mAh)	10Sx4P	36V20Ah
39x21700(5000mAh)	13Sx3P	48V15Ah

虬龙4电池盒 / Qiulong 4 Battery Case Module

27.5寸城市车 / 27.5 inch City Bike



土拨鼠 Marmot



DM-1

Number OF Cores	Pack Type	Capacity
10x21700(5000mAh)	10S	36V5Ah
13x21700(5000mAh)	13S	48V5Ah
14x21700(5000mAh)	7Sx2P	24V10Ah



DM-2

Number OF Cores	Pack Type	Capacity
21x21700(5000mAh)	7Sx3P	24V15Ah
20x21700(5000mAh)	10Sx2P	36V10Ah



Connector

土拨鼠电池盒 / Marmot Battery Case Module

28寸旅行车 / 28inch Treeking



游隼 Peregrine Falcon

Number OF Cores	Pack Type	Capacity
30x21700(5000mAh)	10Sx3P	36V15Ah



鯨光 Ray

Number OF Cores	Pack Type	Capacity
30x21700(5000mAh)	10Sx3P	36V15Ah



旗鱼 Sailfish



Number OF Cores	Pack Type	Capacity
40x18650(3500mAh)	10Sx4P	36V14Ah

旗鱼4/ISF-4

Number OF Cores	Pack Type	Capacity
50x18650(3500mAh)	10Sx5P	36V17.5Ah
52x18650(3500mAh)	13Sx4P	48V14Ah

旗鱼5/ISF-5

蜂鸟 Hummingbird

Number OF Cores	Pack Type	Capacity
20x21700(5000mAh)	10Sx2P	36V10Ah
30x18650(3500mAh)	10Sx3P	36V10.5Ah





蓝精灵 Smurfs



ISM-A



ISM-B

Number OF Cores	Pack Type	Capacity
50x18650(2600mAh)	10Sx5P	36V13Ah
50x18650(2900mAh)	10Sx5P	36V14.5Ah
50x18650(3500mAh)	10Sx5P	36V17.5Ah

蓝精灵电池盒 / Smurfs-A Battery Case Module

28寸城市车 / 28inch City Bike



蓝精灵电池盒 / Smurfs-B Battery Case Module

28寸城市车 / 28inch City Bike





海马 Seshorse



ISH-S

Number OF Cores	Pack Type	Capacity
50x18650(2600mAh)	10Sx5P	36V13Ah
50x18650(2900mAh)	10Sx5P	36V14.5Ah
50x18650(3500mAh)	10Sx5P	36V17.5Ah



ISH-PLUS-S

Number OF Cores	Pack Type	Capacity
70x18650(2600mAh)	10Sx7P	36V18.2Ah
70x18650(2900mAh)	10Sx7P	36V20.3Ah
70x18650(3500mAh)	10Sx7P	36V24.5Ah
65x18650(2600mAh)	13Sx5P	48V13Ah
65x18650(2900mAh)	13Sx5P	48V14.5Ah
65x18650(3500mAh)	13Sx5P	48V17.5Ah

海马电池盒 / Seahorse Battery Case Module

28寸城市车 / 28inch City Bike



海马电池盒 / Seahorse Battery Case Module

28寸城市车 / 28inch City Bike



雨燕 Swift



Swift

Number OF Cores	Pack Type	Capacity
40x18650(2600mAh)	10Sx4P	36V10.4Ah
40x18650(2900mAh)	10Sx4P	36V11.6Ah
40x18650(3500mAh)	10Sx4P	36V14Ah



Swift-Plus

Number OF Cores	Pack Type	Capacity
52x18650(2600mAh)	13Sx4P	48V10.4Ah
52x18650(2900mAh)	13Sx4P	48V11.6Ah
52x18650(3500mAh)	13Sx4P	48V14Ah

雨燕电池盒 / Swift Battery Case Module

28寸城市车 / 28 inch City Bike



雨燕电池盒 / Swift Battery Case Module

28寸城市车 / 28 inch City Bike





灰熊 Grizzly Bear

--变形版/Shape Changed



IGB-T-S



IGB-U-S

Number OF Cores	Pack Type	Capacity
40x21700(5000mAh)	10Sx4P	36V20Ah

灰熊上取电池盒 (变形版) / IGB-T-S Battery Case Module

28寸城市车 / 28 inch City Bike



灰熊下取电池盒 (变形版)/ IGB-U-S Battery Case Module

28寸城市车 / 28 inch City Bike



麋鹿 Elk



Number OF Cores	Pack Type	Capacity
40x21700(5000mAh)	10Sx4P	36V20Ah
39x21700(5000mAh)	13Sx3P	48V15Ah

麋鹿电池盒 / Elk Battery Case Module

27.5寸旅行车 / 27.5 inch Trekking Bike



麋鹿电池盒 / Elk Battery Case Module

28寸旅行车 / 28 inch Trekking Bike



火烈鸟 Flamingo



Number OF Cores	Pack Type	Capacity
40x21700(5000mAh)	10Sx4P	36V20Ah
39x21700(5000mAh)	13Sx3P	48V15Ah

火烈鸟电池盒 / Flamingo Battery Case Module

27.5寸山地车 / 27.5 inch MTB



火烈鸟电池盒 / Flamingo Battery Case Module

28寸城市车 / 28 inch City Bike





红宝石 Ruby



IRU-A



IRU-B

Number OF Cores	Pack Type	Capacity
50x18650(2600mAh)	10Sx5P	36V13Ah
50x18650(2900mAh)	10Sx5P	36V14.5Ah
50x18650(3500mAh)	10Sx5P	36V17.5Ah
52x18650(2600mAh)	13Sx4P	48V10.4Ah
52x18650(2900mAh)	13Sx4P	48V11.6Ah
52x18650(3500mAh)	13Sx4P	48V14Ah

红宝石电池盒 / Ruby-A Battery Case Module

28寸城市车 / 28 inch City Bike



红宝石电池盒 / Ruby-B Battery Case Module

28寸城市车 / 28 inch City Bike



时光 Rhea



Number OF Cores	Pack Type	Capacity
50x18650(2600mAh)	10Sx5P	36V13Ah
50x18650(2900mAh)	10Sx5P	36V14.5Ah
50x18650(3500mAh)	10Sx5P	36V17.5Ah

时光电池盒 / Rhea Battery Case Module

28寸城市车 / 28 inch City Bike





羚羊 Ariel



IAR



IAR-M500 (Unibody Design)

Number OF Cores	Pack Type	Capacity
65x18650(2600mAh)	13Sx5P	48V13Ah
65x18650(2900mAh)	13Sx5P	48V14.5Ah
65x18650(3500mAh)	13Sx5P	48V17.5Ah
40x21700(5000mAh)	10Sx4P	36V20Ah
39x21700(5000mAh)	13Sx3P	48V15Ah
42x21700(5000mAh)	14Sx3P	52V15Ah

羚羊电池盒 (M500挂架一体成型) / IRA-M500 Battery Case Module

28寸城市车 / 28inch City Bike



羚羊电池盒/ IRA Battery Case Module

26寸胖胎车 / 26inch Fat Bike



大力水手 Popeye



Number OF Cores	Pack Type	Capacity
80x18650(2600mAh)	10Sx8P	36V20.8Ah
80x18650(2900mAh)	10Sx8P	36V23.2Ah
80x18650(3500mAh)	10Sx8P	36V27Ah
78x18650(2600mAh)	13Sx6P	48V15.6Ah
78x18650(2900mAh)	13Sx6P	48V17.4Ah
78x18650(3500mAh)	13Sx6P	48V21Ah
56x21700(5000mAh)	14Sx4P	52V20Ah
52x21700(5000mAh)	13Sx4P	48V20Ah

大力水手电池盒 / Popeye Battery Case Module

26+20寸载重车 / 26+20 inch Cargo Bike



大力水手电池盒 / Popeye Battery Case Module

26寸沙滩车 / 26 inch Beach Bike





大力神 Hercules



Number OF Cores	Pack Type	Capacity
70x21700(5000mAh)	10Sx7P	36V35Ah
65x21700(5000mAh)	13Sx5P	48V25Ah
70x21700(5000mAh)	14Sx5P	52V25Ah

大力神电池盒 / Hercules Battery Case Module

20寸滑板车 / 20inch Scooter



大力神电池盒 / Hercules Battery Case Module

28寸雪地车 / 28inch Fat Bike



公牛 Bull



Number OF Cores	Pack Type	Capacity
65x18650(2600mAh)	13Sx5P	48V13Ah
65x18650(2900mAh)	13Sx5P	48V14.5Ah
65x18650(3500mAh)	13Sx5P	48V17.5Ah
40x21700(5000mAh)	10Sx4P	36V20Ah
39x21700(5000mAh)	13Sx3P	48V15Ah
42x21700(5000mAh)	14Sx3P	52V15Ah



- 瓦力五通控制器盒 / Wall-e motor controller case
- 选配 / Optional

公牛电池盒 / Bull Battery Case Module

27.5寸山地车 / 27.5 inch MTB



公牛电池盒 / Bull Battery Case Module

27.5寸山地车 / 27.5 inch MTB



公牛电池盒 / Bull Battery Case Module

27.5寸山地车 / 27.5 inch MTB



白鹭 Egret



Number OF Cores	Pack Type	Capacity
65x18650(2600mAh)	13Sx5P	48V13Ah
65x18650(2900mAh)	13Sx5P	48V14.5Ah
65x18650(3500mAh)	13Sx5P	48V17.5Ah
40x21700(5000mAh)	10Sx4P	36V20Ah
39x21700(5000mAh)	13Sx3P	48V15Ah
42x21700(5000mAh)	14Sx3P	52V15Ah



- 瓦力五通控制器盒 / Wall-e motor controller case
- 选配 / Optional



白鹭电池盒 / Egret Battery Case Module

27.5寸城市车 / 27.5 inch City Bike



白鹭电池盒 / Egret Battery Case Module

20寸雪地车 / 20 inch Fat Bike



白鹭电池盒 / Egret Battery Case Module

27.5寸城市车 / 27.5 inch City Bike



猛犸 Mammoth



Number OF Cores	Pack Type	Capacity
80x18650(3500mAh)	10Sx8P	36V28Ah
78x18650(3500mAh)	13Sx6P	48V21Ah
50x21700(5000mAh)	10Sx5P	36V25Ah
52x21700(5000mAh)	13Sx4P	48V20Ah
56x21700(5000mAh)	14Sx4P	52V20Ah



- 瓦力五通控制器盒 / Wall-e motor controller case
- 选配 / Optional



猛犸电池盒 / Mammoth Battery Case Module

26寸胖胎车 / 26 inch Fat Bike



猛犸电池盒 / Mammoth Battery Case Module

26寸胖胎车 / 26 inch Fat Bike



狮鹫 Griffin



Number OF Cores	Pack Type	Capacity
80x18650(3500mAh)	10Sx8P	36V28Ah
78x18650(3500mAh)	13Sx6P	48V21Ah
50x21700(5000mAh)	10Sx5P	36V25Ah
52x21700(5000mAh)	13Sx4P	48V20Ah
56x21700(5000mAh)	14Sx4P	52V20Ah



- 瓦力五通控制器盒 / Wall-e motor controller case
- 选配 / Optional

狮鹫电池盒 / Griffin Battery Case Module

27.5寸山地车 / 27.5 inch MTB



狮鹫电池盒 / Griffin Battery Case Module

20寸雪地车 / 20 inch Fat Bike



野狼 Coyote



Number OF Cores	Pack Type	Capacity
30x21700(5000mAh)	10Sx3P	36V15Ah



- 瓦力五通控制器盒 / Wall-e motor controller case
- 选配 / Optional

野狼电池盒 / Coyote Battery Case Module

20寸雪地车 / 20 inch Fat Bike



野狼电池盒 / Coyote Battery Case Module

20寸雪地车 / 20 inch Fat Bike



野狼电池盒 / Coyote Battery Case Module

20寸雪地车 / 20 inch Fat Bike



犀牛5 Rhino



IR-5-T



IR-5-U

Number OF Cores	Pack Type	Capacity
50x18650(3500mAh)	10Sx5P	36V17.5Ah
52x18650(3500mAh)	13Sx4P	48V14Ah
30x21700(5000mAh)	10Sx3P	36V15Ah

犀牛5电池盒 / Rhino 5 Battery Case Module

28寸旅行车 / 28 inch Trekking Bike



犀牛5电池盒 / Rhino 5 Battery Case Module

28寸旅行车 / 28 inch Trekking Bike



犀牛7 Rhino



IR-7

Number OF Cores	Pack Type	Capacity
70x18650(3500mAh)	10Sx7P	36V24.5Ah
65x18650(3500mAh)	13Sx5P	48V17.5Ah
40x21700(5000mAh)	10Sx4P	36V20Ah
39x21700(5000mAh)	13Sx3P	48V15Ah
42x21700(5000mAh)	14Sx3P	52V15Ah



IR-Plus

Number OF Cores	Pack Type	Capacity
80x18650(3500mAh)	10Sx8P	36V28Ah
78x18650(3500mAh)	13Sx6P	48V21Ah
60x21700(5000mAh)	10Sx6P	36V30Ah
52x21700(5000mAh)	13Sx4P	48V20Ah
56x21700(5000mAh)	14Sx4P	52V20Ah

犀牛7电池盒 / Rhino 7 Battery Case Module

27.5寸山地车 / 27.5 inch MTB



犀牛7电池盒 / Rhino 7 Battery Case Module

27.5寸山地车 / 27.5 inch MTB



变色龙 Chameleon



Number OF Cores	Pack Type	Capacity
20x21700(5000mAh)	10Sx2P	36V10Ah

变色龙电池盒 / Chameleon Battery Case Module

28寸旅行车 / 28inch Trekking



变色龙电池盒 / Chameleon Battery Case Module

28寸城市车 / 28inch City Bike





草蜢 Grasshopper

---后驱版/Rear Drive



Number OF Cores	Pack Type	Capacity
20x21700(5000mAh)	10Sx2P	36V10Ah
With Controller Space		

草蜢电池盒 - 后驱版 / Grasshopper Battery Case Module - Rear Drive

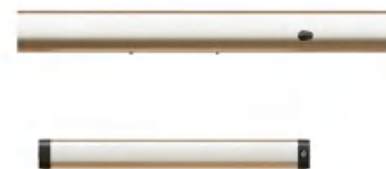
28寸砾石车 / 28 inch Gravel Bike





草蜢 Grasshopper

---中置版/Mid Motor



Number OF Cores	Pack Type	Capacity
20x21700(5000mAh)	10Sx2P	36V10Ah
With Controller Space		

草蜢电池盒 - 中置版 / Grasshopper Battery Case Module - Mid Motor

28寸砾石车 / 28 inch Gravel Bike



企鵝 Penguin



Number OF Cores	Pack Type	Capacity
40x18650(2600mAh)	10Sx4P	36V10.4Ah
40x18650(2900mAh)	10Sx4P	36V11.6Ah
40x18650(3500mAh)	10Sx4P	36V14Ah

企鹅电池盒 / IPE-MINI Battery Case Module

700c旅行车 / 700c Treeking Bike



企鹅电池盒 / IPE-MINI Battery Case Module

700c旅行车 / 700c Trekking Bike



剑鱼 Dorado



- 剑鱼下管电池盒 / ID-MINI Battery case Module
- 最多容纳40颗18650电芯 / Fit 40PCS 18650 cells Max



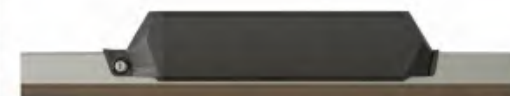
- 剑鱼下管电池盒 / ID-PRO Battery case Module
- 最多容纳50颗18650电芯 / Fit 50PCS 18650 cells Max



- 剑鱼下管电池盒 / ID-PLUS Battery case Module
- 最多容纳65颗18650电芯 / Fit 65PCS 18650 cells Max



- 剑鱼下管电池盒 / ID-MAX Battery case Module
- 最多容纳80颗18650电芯 / Fit 80PCS 18650 cells Max



- 剑鱼下管电池盒 / ID-21700 Battery case Module
- 最多容纳65颗21700电芯 / Fit 65PCS 21700 cells Max

剑鱼电池盒 / Dorado Battery Case Module

28寸旅行车 / 28 inch Trekking Bike



剑鱼电池盒 / Dorado Battery Case Module

28寸旅行车 / 28 inch Trekking Bike





鳗鱼 Eel



IE-MINI

Number OF Cores	Pack Type	Capacity
40x18650(2600mAh)	10Sx4P	36V10.4Ah
40x18650(2900mAh)	10Sx4P	36V11.6Ah
40x18650(3500mAh)	10Sx4P	36V14Ah



IE-PRO

Number OF Cores	Pack Type	Capacity
50x18650(2600mAh)	10Sx5P	36V13Ah
50x18650(2900mAh)	10Sx5P	36V14.5Ah
50x18650(3500mAh)	10Sx5P	36V17.5Ah
52x18650(2600mAh)	13Sx4P	48V10.4Ah
52x18650(2900mAh)	13Sx4P	48V11.6Ah
52x18650(3500mAh)	13Sx4P	48V14Ah

鳗鱼MINI电池盒 / IE-MINI Battery Case Module

28寸旅行车 / 28inch Treeking



鳗鱼PRO电池盒 / IE-PRO Battery Case Module

28寸城市车 / 28inch City Bike





蜜蜂 Bee

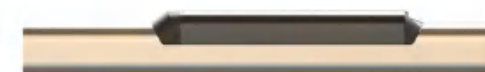


IB-T



IB-U

Number OF Cores	Pack Type	Capacity
40x18650(2600mAh)	10Sx4P	36V10.4Ah
40x18650(2900mAh)	10Sx4P	36V11.6Ah
40x18650(3500mAh)	10Sx4P	36V14Ah
39x18650(2600mAh)	13Sx3P	48V7.8Ah
39x18650(2900mAh)	13Sx3P	48V8.7Ah
39x18650(3500mAh)	13Sx3P	48V10.5Ah



IB-PLUS-T



IB-PLUS-U

Number OF Cores	Pack Type	Capacity
52x18650(2600mAh)	13Sx4P	48V10.4Ah
52x18650(2900mAh)	13Sx4P	48V11.6Ah
52x18650(3500mAh)	13Sx4P	48V14Ah
50x18650(2600mAh)	10Sx5P	36V13Ah
50x18650(2900mAh)	10Sx5P	36V14.5Ah
50x18650(3500mAh)	10Sx5P	36V17.5Ah

蜜蜂电池盒 / Bee Battery Case Module

26寸载货车 / 26 inch Cargo Bike



蜜蜂Plus电池盒 / Bee-Plus Battery Case Module

26寸载货车 / 26 inch Cargo Bike





灰熊 Grizzly Bear



IGB-T



IGB-U

Number OF Cores	Pack Type	Capacity
50x21700(5000mAh)	10Sx5P	36V25Ah

灰熊上取电池盒 / IGB-T Battery Case Module

26寸城市车 / 26 inch City Bike



灰熊下取电池盒 / IGB-U Battery Case Module

26寸城市车 / 26 inch City Bike





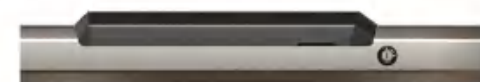
蛟龙 Gerlon

---上取版/Up take



IG-5-T

Number OF Cores	Pack Type	Capacity
50x18650(2600mAh)	10Sx5P	36V13Ah
50x18650(2900mAh)	10Sx5P	36V14.5Ah
50x18650(3500mAh)	10Sx5P	36V17.5Ah



IG-7-T

Number OF Cores	Pack Type	Capacity
70x18650(2600mAh)	10Sx7P	36V18.2Ah
70x18650(2900mAh)	10Sx7P	36V20.3Ah
70x18650(3500mAh)	10Sx7P	36V24.5Ah
65x18650(2600mAh)	13Sx5P	48V13Ah
65x18650(2900mAh)	13Sx5P	48V14.5Ah
65x18650(3500mAh)	13Sx5P	48V17.5Ah



IG-21700-T

Number OF Cores	Pack Type	Capacity
40x21700(5000mAh)	10Sx4P	36V20Ah
39x21700(5000mAh)	13Sx3P	48V15Ah

蛟龙5电池盒 - 上取版 / Gerlon 5 Battery Case Module - Up take

28寸旅行车 / 28 inch Trekking Bike



蛟龙Plus电池盒 - 上取版 / Gerlon Plus Battery Case Module - Up take

28寸旅行车 / 28 inch Trekking Bike





蛟龙 Gerlon

---下取版/Down take



IG-5-U

Number OF Cores	Pack Type	Capacity
50x18650(2600mAh)	10Sx5P	36V13Ah
50x18650(2900mAh)	10Sx5P	36V14.5Ah
50x18650(3500mAh)	10Sx5P	36V17.5Ah



IG-7-U

Number OF Cores	Pack Type	Capacity
70x18650(2600mAh)	10Sx7P	36V18.2Ah
70x18650(2900mAh)	10Sx7P	36V20.3Ah
70x18650(3500mAh)	10Sx7P	36V24.5Ah
65x18650(2600mAh)	13Sx5P	48V13Ah
65x18650(2900mAh)	13Sx5P	48V14.5Ah
65x18650(3500mAh)	13Sx5P	48V17.5Ah



IG-21700-U

Number OF Cores	Pack Type	Capacity
40x21700(5000mAh)	10Sx4P	36V20Ah
39x21700(5000mAh)	13Sx3P	48V15Ah

蛟龙5电池盒 - 下取版 / Gerlon 5 Battery Case Module - Down take

28寸旅行车 / 28 inch Trekking Bike



蛟龙Plus电池盒 - 下取版 / Gerlon Plus Battery Case Module - Down take

28寸旅行车 / 28 inch Trekking Bike





蛟龙 Gerlon

---侧取版/Side take



IG-5-S

Number OF Cores	Pack Type	Capacity
50x18650(2600mAh)	10Sx5P	36V13Ah
50x18650(2900mAh)	10Sx5P	36V14.5Ah
50x18650(3500mAh)	10Sx5P	36V17.5Ah

蛟龙5电池盒 - 侧取版 / Gerlon 5 Battery Case Module - Side take

28寸旅行车 / 28 inch Trekking Bike





棱镜 Prism



IP-5-T



IP-5-U

Number OF Cores	Pack Type	Capacity
50x18650(2600mAh)	10Sx5P	36V13Ah
50x18650(2900mAh)	10Sx5P	36V14.5Ah
50x18650(3500mAh)	10Sx5P	36V17.5Ah
52x18650(2600mAh)	13Sx4P	48V10.4Ah
52x18650(2900mAh)	13Sx4P	48V11.6Ah
52x18650(3500mAh)	13Sx4P	48V14Ah
30x21700(5000mAh)	10Sx3P	36V15Ah

棱镜电池盒 / Prism Battery Case Module

28寸旅行车 / 28 inch Trekking Bike



黑鷹 Eagle



IBE-T



IBE-U

Number OF Cores	Pack Type	Capacity
30x18650(2600mAh)	10Sx3P	36V7.8Ah
30x18650(2900mAh)	10Sx3P	36V8.7Ah
30x18650(3500mAh)	10Sx3P	36V10.5Ah
20x21700(5000mAh)	10Sx2P	36V10Ah

黑鹰下取电池盒/ IBE-U Battery Case Module

28寸旅行车 / 28 inch Trekking Bike



黄蜂 Wasp

Model:IW-T



T代表上取式: 电池盒铝壳上方平整
T:up-take style



Model	IW
Maximum cells	50 (18650)
Max capacity	36V17.5Ah
Charging port	DC2.1 Opt. 3Pin high current
Discharge port	6Pin
LED indicator	single LED with three colours
USB port	without
Power switch	without
L1·L2 (mm)	434x356

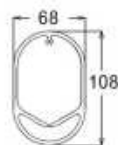
*标配专利锁 Standard patent lock

Model:IW-U



U代表下取式: 电池盒铝壳上有限位扳手 前盖带锁舌
U:down-take style,case with safety lock lever

Down tube





蜻蜓 Dragonfly



IF-2/IF-2C

Number OF Cores	Pack Type	Capacity
20x18650(3500mAh)	10Sx2P	36V7Ah
28x18650(3500mAh)	7Sx4P	24V14Ah
With Controller Space(IF-2C)		



IF-3/IF-3C

Number OF Cores	Pack Type	Capacity
30x18650(3500mAh)	10Sx3P	36V10.5Ah
With Controller Space(IF-3C)		



可选打弯管/Crooked optional

IF-4/IF-4C

Number OF Cores	Pack Type	Capacity
40x18650(3500mAh)	10Sx4P	36V14Ah
With Controller Space(IF-4C)		

蜻蜓电池盒 / Dragonfly Battery Case Module

27.5寸城市车 / 27.5 inch City Bike



阿童木 Astro Boy



Number OF Cores	Pack Type	Capacity
40x21700(5000mAh)	10Sx4P	36V20Ah
39x21700(5000mAh)	13Sx3P	48V15Ah

- * 也可以用做折叠车下管
- * Can be applied to Folding Bike

阿童木电池盒 / Astro Boy Battery Case Module

20寸胖胎车 / 20 inch Fat Bike



野牛 Bison



Number OF Cores	Pack Type	Capacity
50x18650(3500mAh)	10Sx5P	36V17.5Ah
52x18650(3500mAh)	13Sx4P	48V14Ah
30x21700(5000mAh)	10Sx3P	36V15Ah



- 瓦力五通控制器盒 / Wall-e motor controller case
- 选配 / Optional

野牛电池盒 / Bison Battery Case Module

20寸折叠车 / 20 inch Folding Bike



野牛电池盒 / Bison Battery Case Module

20寸折叠车 / 20 inch Folding Bike



野牛电池盒 / Bison Battery Case Module

20寸折叠车 / 20 inch Folding Bike



猎豹 Cheetah



Number OF Cores	Pack Type	Capacity
30x21700(5000mAh)	10Sx3P	36V15Ah

猎豹电池盒 / Cheetah Battery Case Module

20寸折叠车 / 20 inch Folding Bike



猎豹电池盒 / Cheetah Battery Case Module

20寸折叠车 / 20 inch Folding Bike





利刃 Edge



Number OF Cores	Pack Type	Capacity
30x18650(2600mAh)	10Sx3P	36V7.8Ah
30x18650(2900mAh)	10Sx3P	36V8.7Ah
30x18650(3500mAh)	10Sx3P	36V10.5Ah

利剑 Papier



Number OF Cores	Pack Type	Capacity
40x18650(2600mAh)	10Sx4P	36V10.4Ah
40x18650(2900mAh)	10Sx4P	36V11.6Ah
40x18650(3500mAh)	10Sx4P	36V14Ah

利刃折叠车电池盒 / Edge Battery Case Module

20寸折叠车 / 20 inch Folding Bike



半月 Scimitar



Number OF Cores	Pack Type	Capacity
30x18650(2600mAh)	10Sx3P	36V7.8Ah
30x18650(2900mAh)	10Sx3P	36V8.7Ah
30x18650(3500mAh)	10Sx3P	36V10.5Ah

半月电池盒 / Scimitar Battery Case Module

20寸折叠车 / 20 inch Folding Bike



半月电池盒 / Scimitar Battery Case Module

20寸折叠车 / 20 inch Folding Bike



珊瑚 Coral



FC-4



FC-4-S

Number OF Cores	Pack Type	Capacity
40x18650(2600mAh)	10Sx4P	36V10.4Ah
40x18650(2900mAh)	10Sx4P	36V11.6Ah
40x18650(3500mAh)	10Sx4P	36V14Ah



FC-5

Number OF Cores	Pack Type	Capacity
50x18650(2600mAh)	10Sx5P	36V13Ah
50x18650(2900mAh)	10Sx5P	36V14.5Ah
50x18650(3500mAh)	10Sx5P	36V17.5Ah

珊瑚电池盒 / Coral Battery Case Module

20寸折叠车 / 20 inch Folding Bike





哈士奇 Husky



IHK

Number OF Cores	Pack Type	Capacity
40x21700(5000mAh)	10Sx4P	36V20Ah
39x21700(5000mAh)	13Sx3P	48V15Ah
42x21700(5000mAh)	14Sx3P	52V15Ah



Mecha Motor Control Case



Wall-e Motor Control Case

哈士奇电池盒 / IHK Battery Case Module

28寸旅行车 / 28inch Treeking



哈士奇电池盒 / IHK Battery Case Module

20寸载货车 / 20inch Cago Bike



虎鲨 Tiger Shark



DS-4



DS-4C



DS-5



DS-5C



DS-6



DS-6C

- 虎鲨4电池盒 / Tiger Shark 4 Battery case
- 最多容纳40颗18650电芯 / Fit 40PCS 18650 cells Max
- 可选装控制器盒 / Controller case optional

- 虎鲨5电池盒 / Tiger Shark 5 Battery case
- 最多容纳52颗18650电芯 / Fit 52PCS 18650 cells Max
- 可选装控制器盒 / Controller case optional

- 虎鲨6电池盒 / Tiger Shark 6 Battery case
- 最多容纳65颗18650电芯 / Fit 65PCS 18650 cells Max
- 可选装控制器盒 / Controller case optional

虎鲨电池盒 / Tiger Shark Battery Case Module

26寸沙滩车 / 26 inch Beach Bike



虎鲨电池盒 / Tiger Shark Battery Case Module

26寸沙滩车 / 26 inch Beach Bike





海兔 Cuttle



- DC-1C电池盒 / DC-1C Battery case
- 最多容纳14颗18650电芯 / Fit 14PCS 18650 cells Max



- DC-2C电池盒 / DC-2C Battery case
- 最多容纳21颗18650电芯 / Fit 21PCS 18650 cells Max



- DC-21700-1C电池盒 / DC-21700-1C Battery case
- 最多容纳14颗21700电芯 / Fit 14PCS 21700 cells Max



- DC-21700-2C电池盒 / DC-21700-2C Battery case
- 最多容纳21颗21700电芯 / Fit 21PCS 21700 cells Max

* C表示基座有控制器空间

* C means Base with Controller space

浣熊 Raccoon



- 浣熊电池盒 / DR-2 Battery case
- 最多容纳20颗18650电芯 / Fit 20PCS 18650 cells Max

海兔电池盒 / Cuttle Battery Case Module

20寸公路车 / 20 inch Road Bike





麒麟 Kirin

---下管版/Down Tube



- DK-5-T电池盒 / DK-5-T Battery case
- 最多容纳52颗18650电芯 / Fit 52PCS 18650 cells Max



- DK-7-T电池盒 / DK-7-T Battery case
- 最多容纳70颗18650电芯 / Fit 70PCS 18650 cells Max



- DK-21700-4-T电池盒 / DK-21700-4-T Battery case
- 最多容纳42颗21700电芯 / Fit 42PCS 21700 cells Max



- DK-21700-5-T电池盒 / DK-21700-5-T Battery case
- 最多容纳56颗21700电芯 / Fit 56PCS 21700 cells Max

* T表示配车架下管

* T means match with Down Tube

麒麟电池盒 - 下管版/ Kirin Battery Case Module - Down Tube

28寸旅行车 / 28 inch Trekking Bike



麒麟电池盒 - 下管版/ Kirin Battery Case Module - Down Tube

28寸旅行车 / 28 inch Trekking Bike





麒麟 Kirin

---单独版/Normal Base



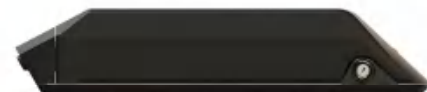
- DK-5-B电池盒 / DK-5-B Battery case
- 最多容纳52颗18650电芯 / Fit 52PCS 18650 cells Max



- DK-7-B电池盒 / DK-7-B Battery case
- 最多容纳70颗18650电芯 / Fit 70PCS 18650 cells Max



- DK-4-B-21700电池盒 / DK-4-B-21700 Battery case
- 最多容纳42颗21700电芯 / Fit 42PCS 21700 cells Max



- DK-5-B-21700电池盒 / DK-5-B-21700 Battery case
- 最多容纳56颗21700电芯 / Fit 56PCS 21700 cells Max

麒麟电池盒 - 单独版 / Kirin Battery Case Module - Normal Base

20寸载货车 / 20 inch Cargo Bike



擎天 Atlas



DA-5C

- 擎天电池盒
DA-5C Battery case
- 最多容纳52颗18650电芯
Fit 52PCS 18650 cells Max

鸚鵡 Polly



DP-3

- 鸚鵡-3 电池盒
DP-3 Battery case
- 最多容纳30颗21700电芯
Fit 30PCS 21700 cells Max

* C表示基座有控制器空间/C means Base with Controller space



DP-5/5C

- 鸚鵡-5/5C电池盒
DP-5/5C Battery case
- 5:最多容纳56颗18650电芯
5:Fit 56PCS 18650 cells Max
- 5C:最多容纳52颗18650电芯
5C:Fit 52PCS 18650 cells Max



DP-6/6C

- 鸚鵡-6/6C电池盒
DP-6/6C Battery case
- 6:最多容纳70颗18650电芯
6:Fit 70PCS 18650 cells Max
- 6C:最多容纳65颗18650电芯
6C:Fit 65PCS 18650 cells Max



DP-9/9C

- 鸚鵡-9/9C电池盒
DP-9/9C Battery case
- 9:最多容纳91颗18650电芯
9:Fit 91PCS 18650 cells Max
- 9C:最多容纳84颗18650电芯
9C:Fit 84PCS 18650 cells Max



DP-21700-4/4C

- 鸚鵡-4/4C-21700电池盒
DP-4/4C-21700 Battery case
- 4:最多容纳42颗21700电芯
4:Fit 42PCS 21700 cells Max
- 4C:最多容纳40颗21700电芯
4C:Fit 40PCS 21700 cells Max



DP-21700-5/5C

- 鸚鵡-5/5C-21700电池盒
DP-5/5C-21700 Battery case
- 5:最多容纳56颗21700电芯
5:Fit 56PCS 21700 cells Max
- 5C:最多容纳52颗21700电芯
5C:Fit 52PCS 21700 cells Max



DP-21700-7

- 鸚鵡-7-21700电池盒
DP-7-21700 Battery case
- 最多容纳70颗21700电芯
Fit 70PCS 21700 cells Max

鸚鵡電池盒 / Polly Battery Case Module

20寸雪地車 / 20 inch Fat Bike



雷霆 Thunder



ST-3C

Number OF Cores	Pack Type	Capacity
30x18650(2600mAh)	10Sx3P	36V7.8Ah
30x18650(2900mAh)	10Sx3P	36V8.7Ah
30x18650(3500mAh)	10Sx3P	36V10.5Ah



ST-4C

Number OF Cores	Pack Type	Capacity
40x18650(2600mAh)	10Sx4P	36V10.4Ah
40x18650(2900mAh)	10Sx4P	36V11.6Ah
40x18650(3500mAh)	10Sx4P	36V14Ah

* C表示基座有控制器空间

* C means Base with Controller space

雷霆电池盒 / Thunder Battery Case Module

20寸小轮径车 / 20 inch Small Wheel Bike



狐獴 Meerkat



Meerkat-F



Meerkat-R

Number OF Cores	Pack Type	Capacity
20x21700(5000mAh)	10Sx2P	36V10Ah

狐獴电池盒 / Meerkat Battery Case Module

28寸公路车 / 28 inch Road Bike



狐獴电池盒 / Meerkat Battery Case Module

28寸公路车 / 28 inch Road Bike



蜗牛 Snail



SS-2C



SS-2

Number OF Cores	Pack Type	Capacity
20x18650(3500mAh)	10Sx2P	36V7Ah




SS-2C-21700



SS-2-21700

Number OF Cores	Pack Type	Capacity
20x21700(5000mAh)	10Sx2P	36V10Ah

 (可选项/Optional)

蜗牛电池盒 / Snail Battery Case Module

16寸折叠车 / 16 inch Folding Bike



蜗牛电池盒 / Snail Battery Case Module

28寸旅行车 / 28 inch Trekking Bike



银鱼 Silver Fish



SF-3

Number OF Cores	Pack Type	Capacity
40x18650(2600mAh)	10Sx4P	36V10.4Ah
40x18650(2900mAh)	10Sx4P	36V11.6Ah
40x18650(3500mAh)	10Sx4P	36V14Ah



SF-2

Number OF Cores	Pack Type	Capacity
70x18650(2600mAh)	10Sx7P	36V18.2Ah
70x18650(2900mAh)	10Sx7P	36V20.3Ah
70x18650(3500mAh)	10Sx7P	36V24.5Ah

银鱼电池盒 / Silver Fish Battery Case Module

28寸城市车 / 28inch City Bike



考拉 Koala



Number OF Cores	Pack Type	Capacity
20x21700(5000mAh)	10Sx2P	36V10Ah

考拉电池盒 / Kaola Battery Case Module

20寸小轮径车 / 20 inch Small Wheel Bike



袋鼠 Kangaroo



- RK-3电池盒 / RK-3 Battery case Module
- 最多容纳30颗18650电芯 / Fit 30PCS 18650 cells Max



- RK-3C电池盒 / RK-3C Battery case Module
- 最多容纳30颗18650电芯 / Fit 30PCS 18650 cells Max



- RK-4电池盒 / RK-4 Battery case Module
- 最多容纳40颗18650电芯 / Fit 40PCS 18650 cells Max



- RK-4C电池盒 / RK-4C Battery case Module
- 最多容纳40颗18650电芯 / Fit 40PCS 18650 cells Max

* C表示基座有控制器空间

* C means Base with Controller space

袋鼠电池盒 / Kangaroo Battery Case Module

20寸小轮径车 / 20 inch Small Wheel Bike





银鲨 Sliver Shark



Number OF Cores	Pack Type	Capacity
30x18650(2600mAh)	10Sx3P	36V7.8Ah
30x18650(2900mAh)	10Sx3P	36V8.7Ah
30x18650(3500mAh)	10Sx3P	36V10.5Ah
Rear light		
With Spanninga SOLO Light		

银鲨电池盒 / RS-3 Battery Case Module

28寸城市车 / 28 inch City Bike



飞鱼 Vulpecula



Number OF Cores	Pack Type	Capacity
50x18650(2600mAh)	10Sx5P	36V13Ah
50x18650(2900mAh)	10Sx5P	36V14.5Ah
50x18650(3500mAh)	10Sx5P	36V17.5Ah
52x18650(2600mAh)	13Sx4P	36V10.4Ah
52x18650(2900mAh)	13Sx4P	36V11.6Ah
52x18650(3500mAh)	13Sx4P	36V14Ah

飞鱼电池盒 / Vulpecula Battery Case Module

28寸城市车 / 28inch City Bike



Model:RB-1



Model:RB-1

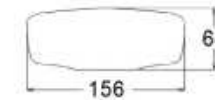
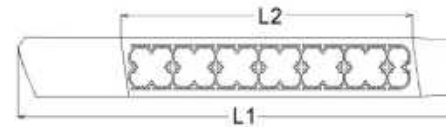


Model:RB-2



Model:RB-3

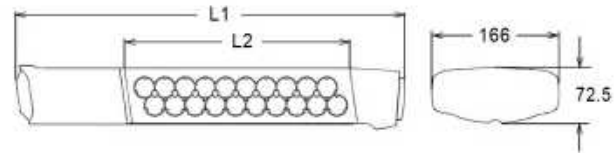
Model:RB-1-PLUS



Model	RB-1	RB-2	RB-3	RB-1-PLUS
Maximum cells		52 (18650)		60 (18650)
Max capacity		36V17.5Ah 48V14Ah		36V21Ah 48V14Ah
Charging port	DC2.1 Opt. 3Pin high current			
Discharge port	6Pin			
LED indicator	4 LED lights	without	3LED lights	4 LED lights
USB port	without			
Power switch	with			
Controller space	with			without
Rear light	with	without	with	
L1·L2(mm)	446x278	438x278	438x278	425x320



Model:RA-4C



Model	RA-4C	
Maximum cells	40 (21700)	
Max capacity	36V20Ah	48V15Ah
Charging port	DC2.1 Opt. 3Pin high current	
Discharge port	6Pin	
LED indicator	4 LED lights	
USB port	without	
Power switch	without	
Controller box	with	
L1·L2 (mm)	440x255	

领航者 Navigator



- 领航者中置电机车架 / Navigator-M frame
- 双电池盒系统：犀牛21700+麒麟21700
Dual battery case system: Rhino21700+Kirin21700
- (80+52)颗18650电芯 / (80+52)PCS 18650 cells Max
- (60+42)颗21700电芯 / (60+42)PCS 21700 cells Max
- 电机挂架：八方M500/M600挂架
Mid-Motor Frame: BAFANG M500/M600 Motor
- 电机挂架可定制 / Motor frame can be customized



- 领航者后驱电机车架 / Navigator-R frame
- 双电池盒系统：犀牛21700+麒麟21700
Dual battery case system: Rhino21700+Kirin21700
- (80+52)颗18650电芯 / (80+52)PCS 18650 cells Max
- (60+42)颗21700电芯 / (60+42)PCS 21700 cells Max
- 瓦力五通控制器盒 / Wall-e motor controller case

领航者中置电机车架 / Navigator-M frame

24寸胖胎车 / 24 inch Fat Bike



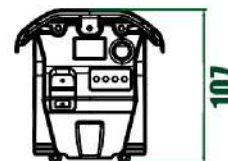
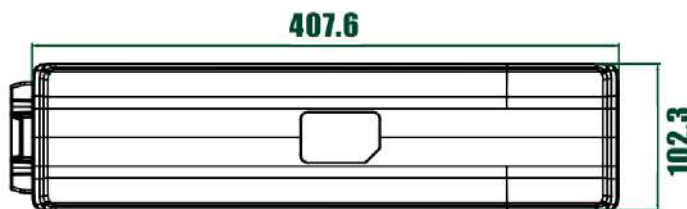
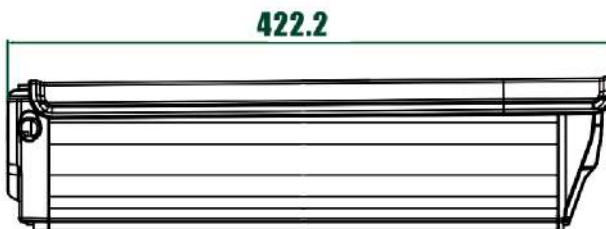
领航者后驱电机车架 / Navigator-R frame

24寸胖胎车 / 24 inch Fat Bike



INNER BATTERY CASES

悍马二代 HM-2



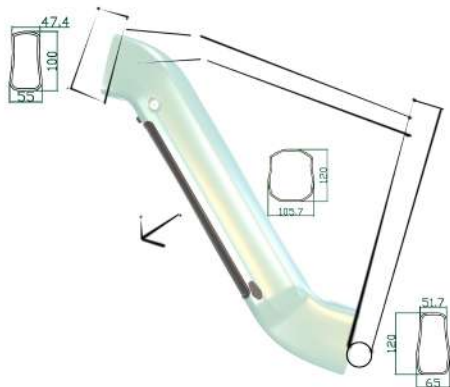
MAX CELLS

18650	70CF
21700	60CF

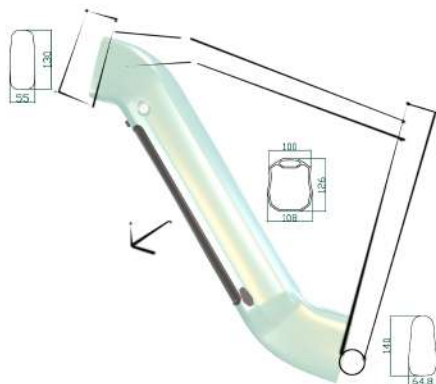


INNER BATTERY CASES

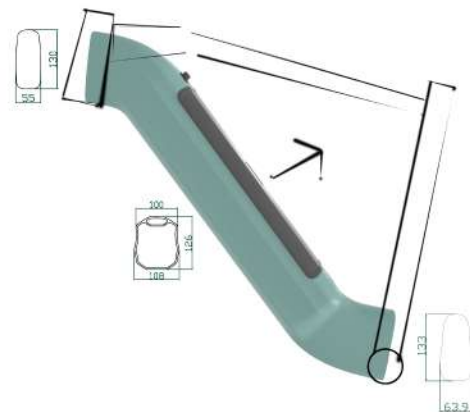
悍马二代 HM-2



单腔下取



多腔下取



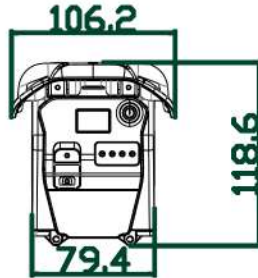
多腔上取

细节 / DETAILS

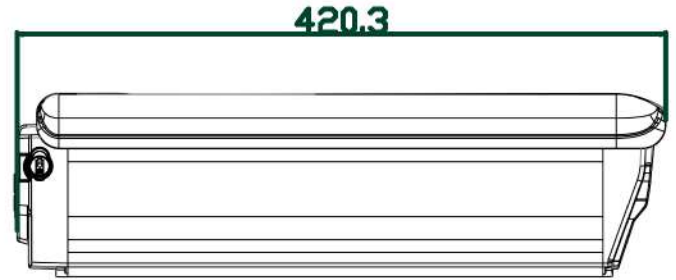
MAXIMUM CELLS/最大电芯数	70(18650)/60(21700)
CHARGING PORT / 充电口	DC 2.1 / DC 2.5 / 3PIN
DISCHARGING PORT / 放电口	SELF-MADE 6PIN / 自制6PIN
CAPACITY INDICATOR / 电量显示	4 LEVELS LED CAPACITY / 四灯
PORT / 接口	/
POWER SWITCH/ 电源开关	YES



INNER BATTERY CASES



悍马二代 MAX HM-2 MAX



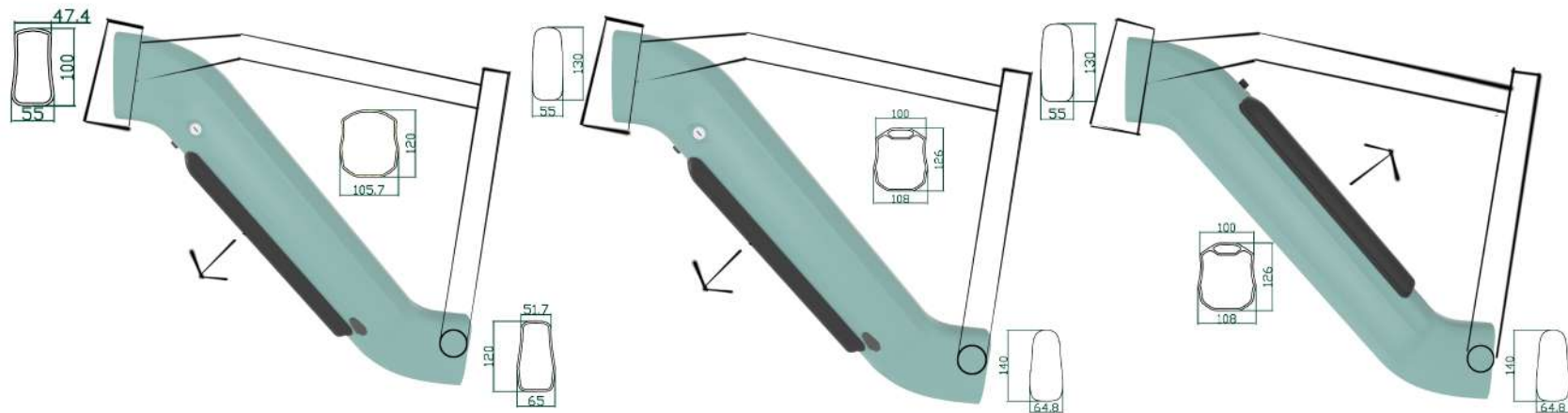
MAX CELLS

18650	80CF
21700	70CF



INNER BATTERY CASES

悍马二代 MAX HM-2 MAX



单腔下取

多腔下取

多腔上取

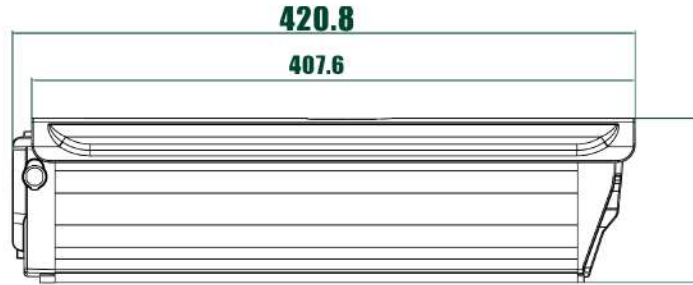
细节 / DETAILS

MAXIMUM CELLS/最大电芯数	80(18650)/70(21700)
CHARGING PORT / 充电口	DC 2.1 / DC 2.5 / 3PIN
DISCHARGING PORT / 放电口	SELF-MADE 7PIN / 自制7PIN
CAPACITY INDICATOR / 电量显示	4 LEVELS LED CAPACITY / 四灯
PORT / 接口	/
POWER SWITCH/ 电源开关	YES



INNER BATTERY CASES

悍马三代 HM-3



MAX CELLS

18650	80CF
21700	60CF

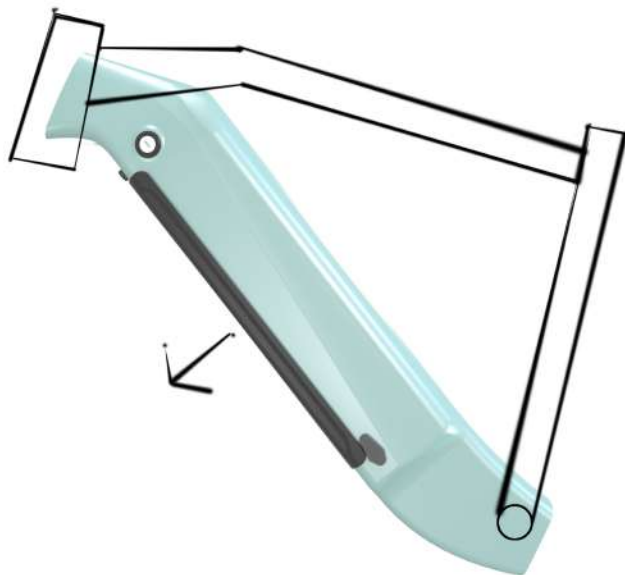


5



INNER BATTERY CASES

悍马三代 HM-3



多腔下取

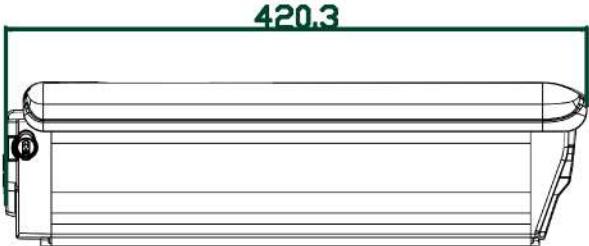
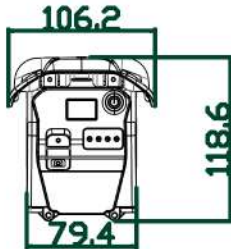
细节 / DETAILS

MAXIMUM CELLS/最大电芯数	80(18650)/60(21700)
CHARGING PORT / 充电口	DC 2.1 / DC 2.5 / 3PIN
DISCHARGING PORT / 放电口	SELF-MADE 6PIN / 自制6PIN
CAPACITY INDICATOR / 电量显示	4 LEVELS LED CAPACITY / 四灯
PORT / 接口	/
POWER SWITCH/ 电源开关	YES



INNER BATTERY CASES

悍马三代 HM-3 MAX



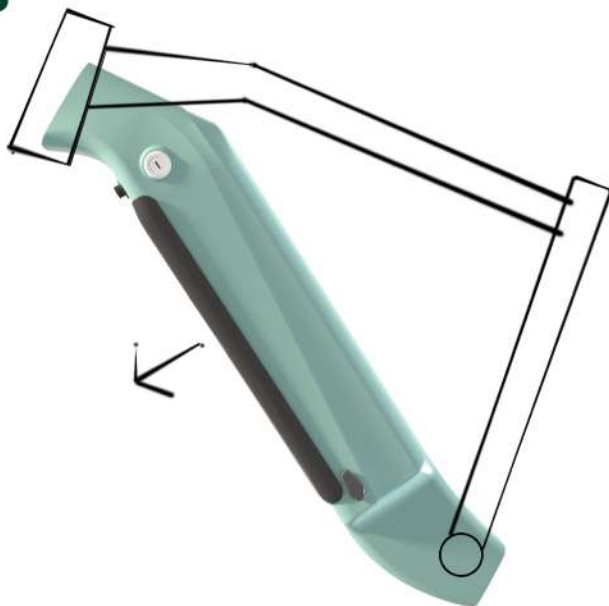
MAX CELLS

18650	80CF
21700	70CF



INNER BATTERY CASES

悍马三代 MAX



多腔下取

细节 / DETAILS

MAXIMUM CELLS/最大电芯数	80(18650)/70(21700)
CHARGING PORT / 充电口	DC 2.1 / DC 2.5 / 3PIN
DISCHARGING PORT / 放电口	SELF-MADE 7PIN / 自制7PIN
CAPACITY INDICATOR / 电量显示	4 LEVELS LED CAPACITY / 四灯
PORT / 接口	/
POWER SWITCH/ 电源开关	YES

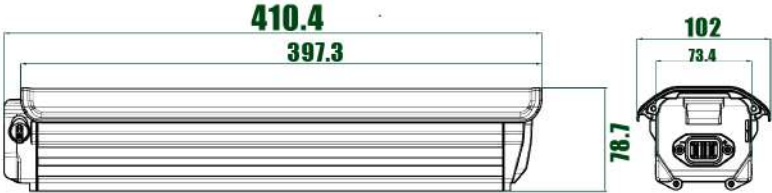


INNER BATTERY CASES

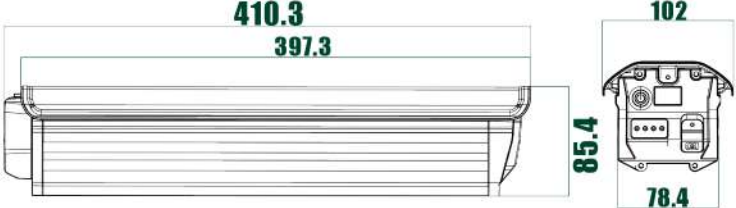
雷诺 LN



18650 52CF

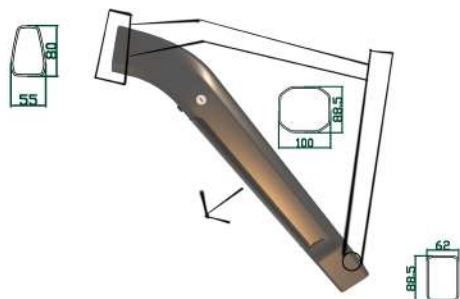


21700 40CF

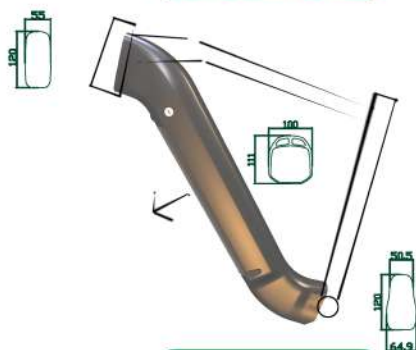


INNER BATTERY CASES

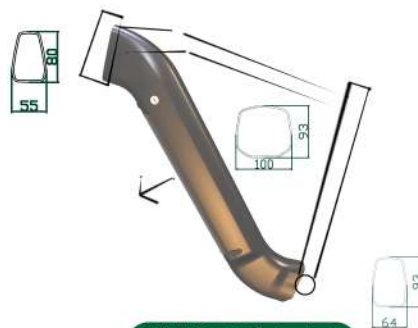
雷诺 LN



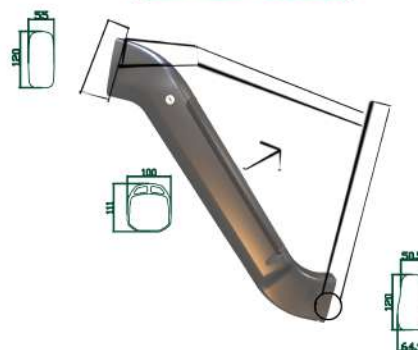
单腔单弯下取



多腔双弯下取



单腔双弯下取



多腔双弯下取

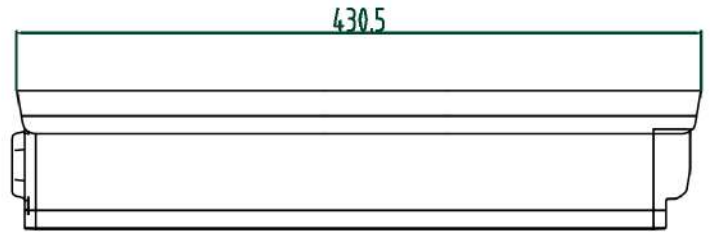
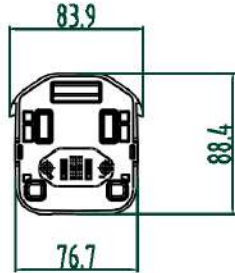
细节 / DETAILS

MAXIMUM CELLS/最大电芯数	52(18650)/40(21700)
CHARGING PORT / 充电口	DC 2.1 / DC 2.5 / 3PIN
DISCHARGING PORT / 放电口	SELF-MADE 6PIN / 自制6PIN
CAPACITY INDICATOR / 电量显示	4 LEVELS LED CAPACITY / 四灯
PORT / 接口	/
POWER SWITCH/ 电源开关	YES



INNER BATTERY CASES

天宫六号AX TG-6AX



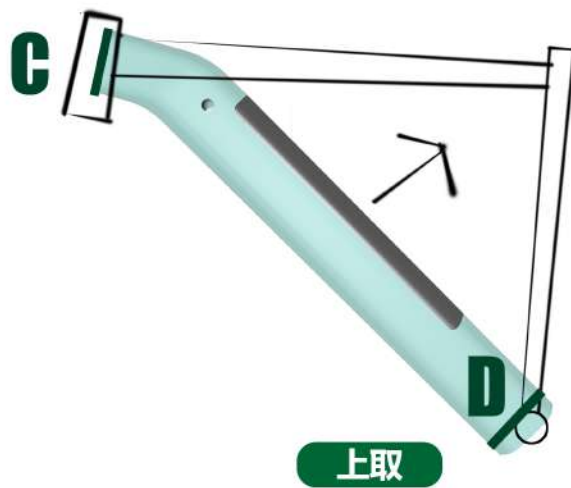
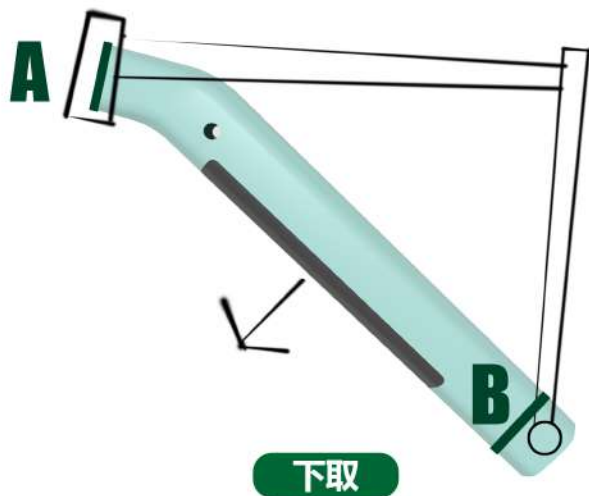
MAX CELLS

18650	70CF
21700	40CF



INNER BATTERY CASES

天宫六号AX TG-6AX

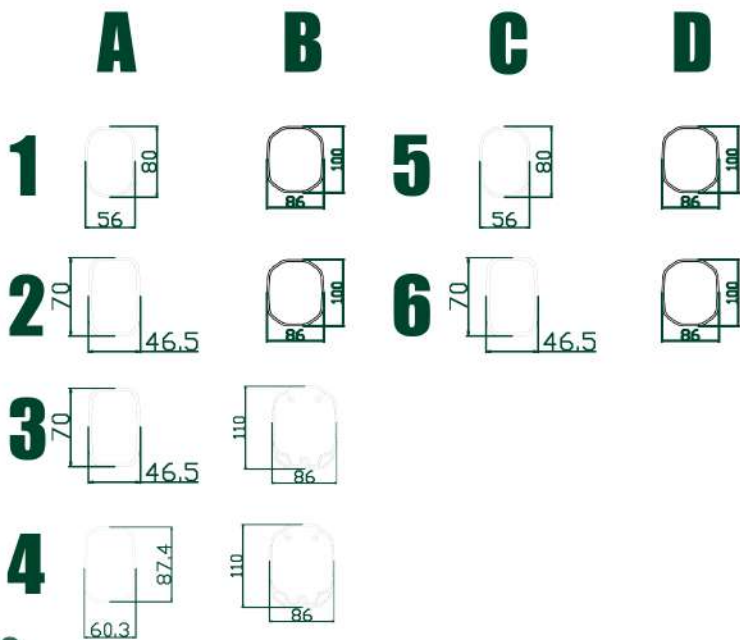


MAX CELLS

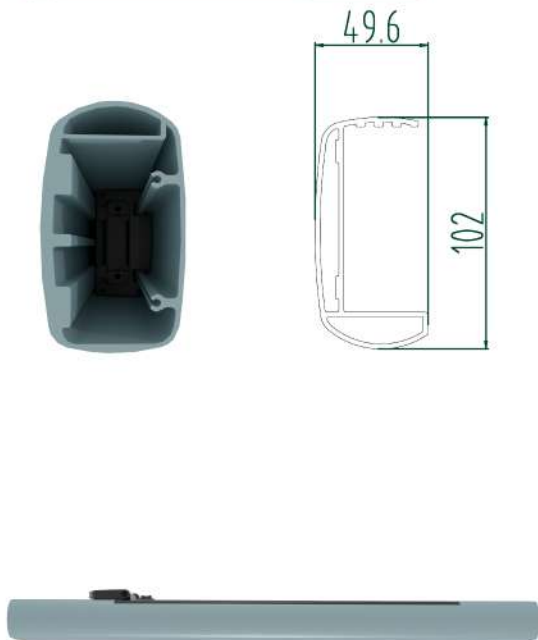
18650	70CF
21700	40CF

细节 / DETAILS

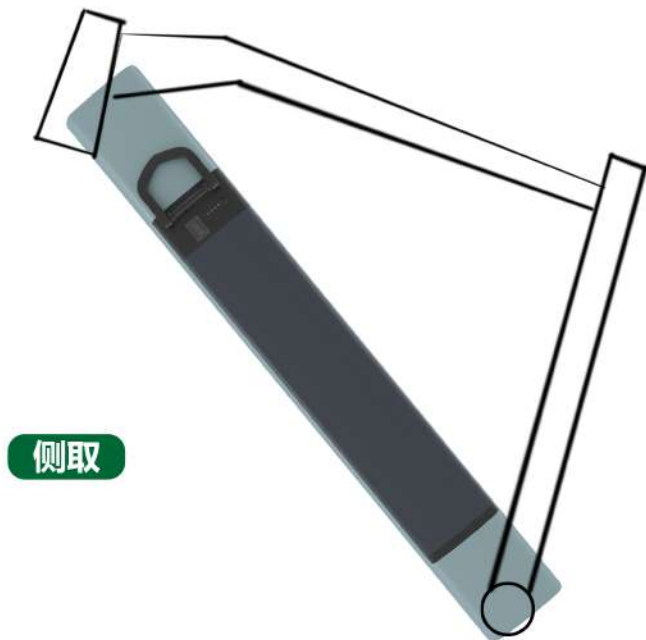
MAXIMUM CELLS/最大电芯数	70(18650)/60(21700)
CHARGING PORT / 充电口	DC 2.1 / DC 2.5 / 3PIN
DISCHARGING PORT / 放电口	SELF-MADE 6PIN / 自制6PIN
CAPACITY INDICATOR / 电量显示	4 LEVELS LED CAPACITY / 四灯
PORT / 接口	USB
POWER SWITCH/ 电源开关	YES



INNER BATTERY CASES



天宫一号A TG-1A

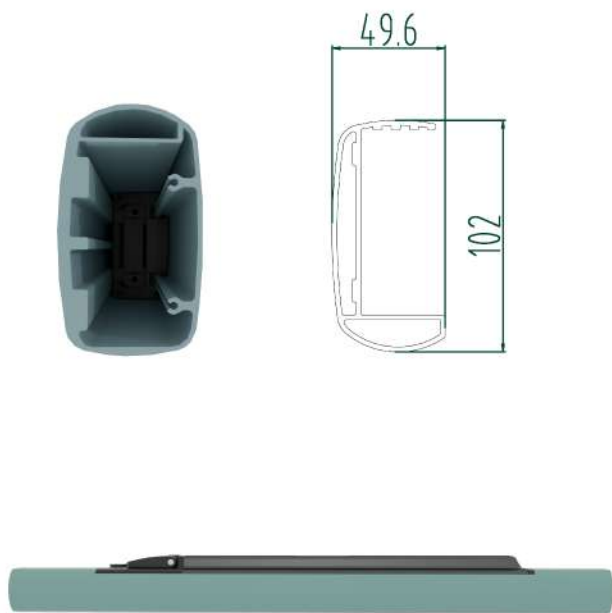


细节 / DETAILS

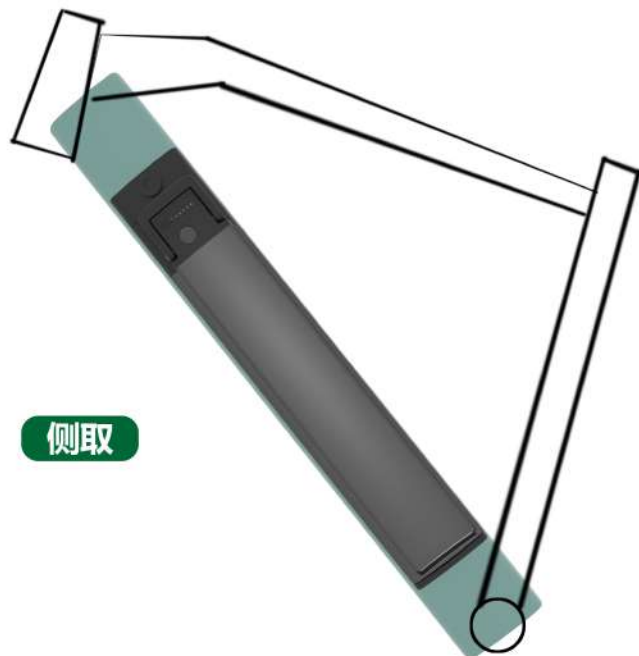
MAXIMUM CELLS/最大电芯数	40(18650)
CHARGING PORT / 充电口	DC 2.1 / DC 2.5 / 3PIN
DISCHARGING PORT / 放电口	SELF-MADE 5PIN / 自制5PIN
CAPACITY INDICATOR / 电量显示	4 LEVELS LED CAPACITY / 四灯
PORT / 接口	\
POWER SWITCH/ 电源开关	YES



INNER BATTERY CASES

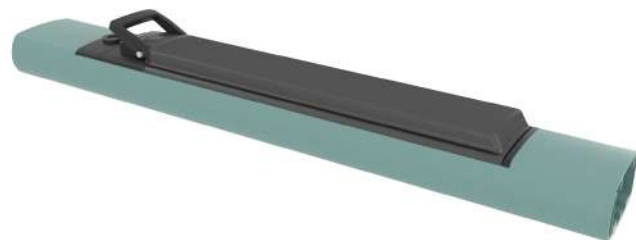


天宫一号B TG-1B



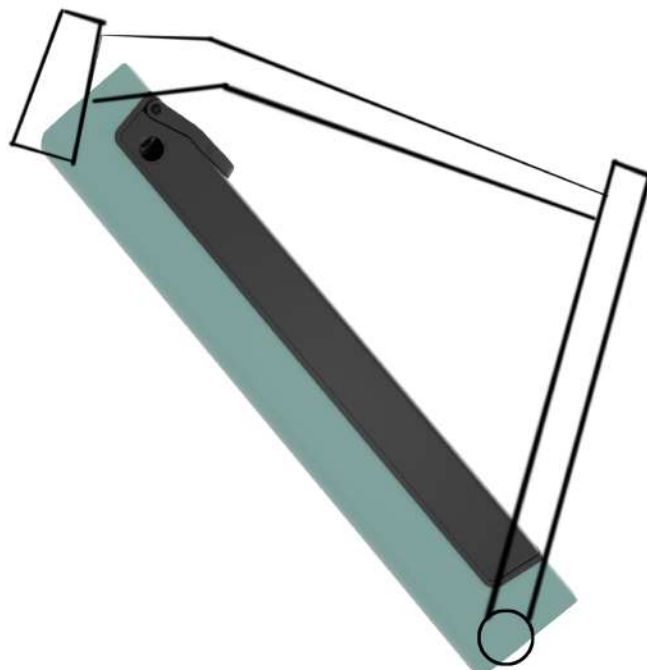
细节 / DETAILS

MAXIMUM CELLS/最大电芯数	52(18650)
CHARGING PORT / 充电口	DC 2.1 / DC 2.5 / 3PIN
DISCHARGING PORT / 放电口	SELF-MADE 4PIN / 自制4PIN
CAPACITY INDICATOR / 电量显示	5 LEVELS LED CAPACITY / 五灯
PORT / 接口	\
POWER SWITCH / 电源开关	YES



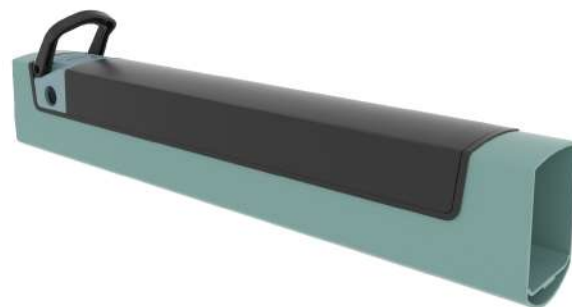
INNER BATTERY CASES

天宫二号 TG-2

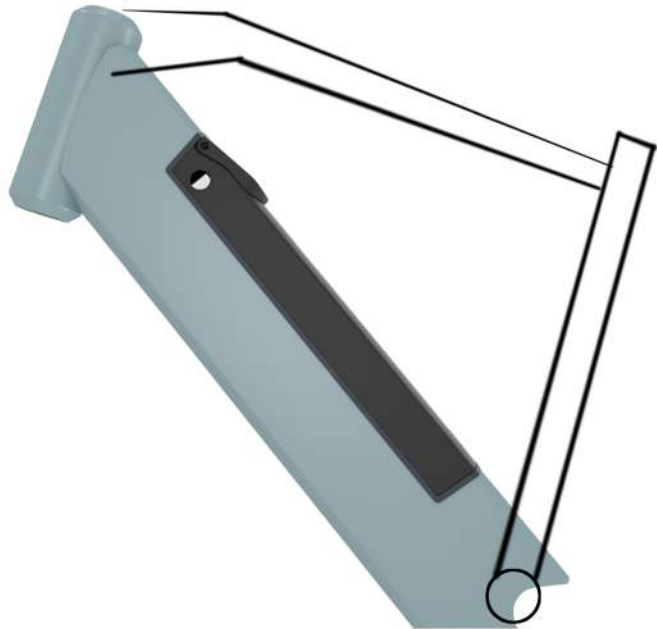
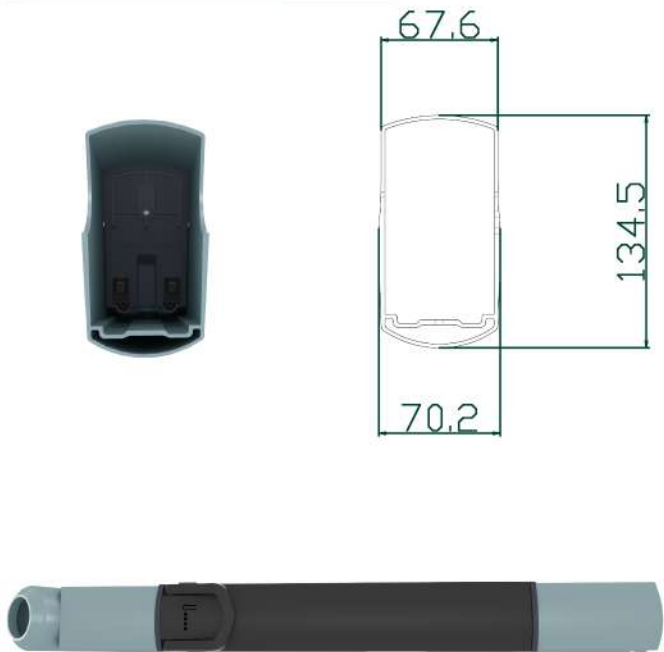


细节 / DETAILS

MAXIMUM CELLS/最大电芯数	52(18650)
CHARGING PORT / 充电口	DC 2.1 / DC 2.5 / 3PIN
DISCHARGING PORT / 放电口	SELF-MADE 4PIN / 自制4PIN
CAPACITY INDICATOR / 电量显示	4 LEVELS LED CAPACITY / 四灯
PORT / 接口	\
POWER SWITCH/ 电源开关	YES

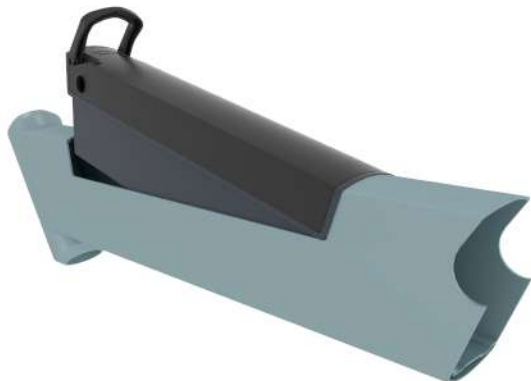


INNER BATTERY CASES



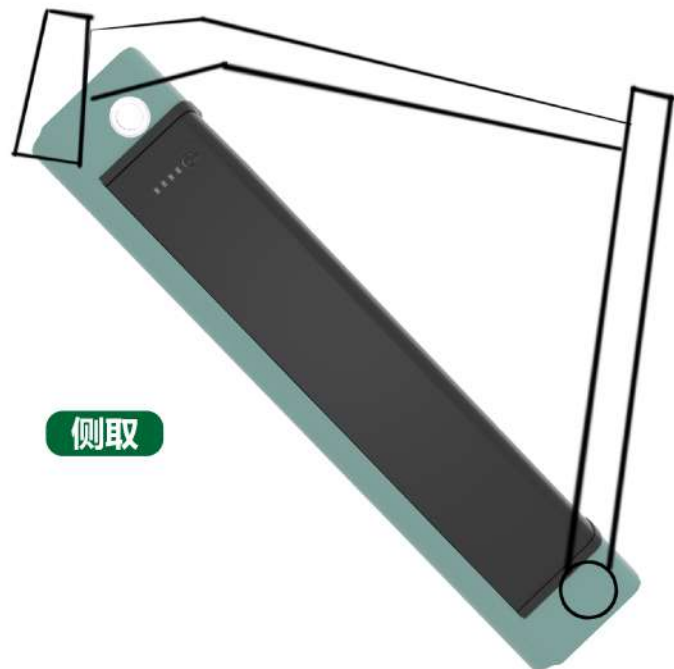
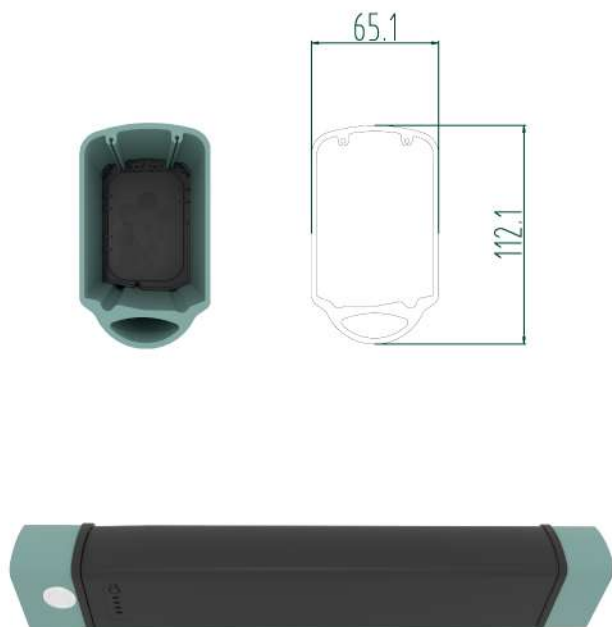
细节 / DETAILS

MAXIMUM CELLS/最大电芯数	60(18650)
CHARGING PORT / 充电口	DC 2.1 / DC 2.5 / 3PIN
DISCHARGING PORT / 放电口	SELF-MADE 4PIN / 自制4PIN
CAPACITY INDICATOR / 电量显示	4 LEVELS LED CAPACITY / 四灯
PORT / 接口	\
POWER SWITCH/ 电源开关	YES



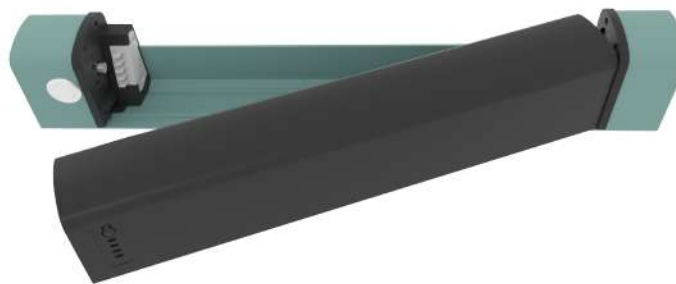
INNER BATTERY CASES

天宫五号 TG-5



细节 / DETAILS

MAXIMUM CELLS/最大电芯数	52(18650)
CHARGING PORT / 充电口	DC 2.1 / DC 2.5 / 3PIN
DISCHARGING PORT / 放电口	SELF-MADE 5PIN / 自制5PIN
CAPACITY INDICATOR / 电量显示	4 LEVELS LED CAPACITY / 四灯
PORT / 接口	\
POWER SWITCH/ 电源开关	NO



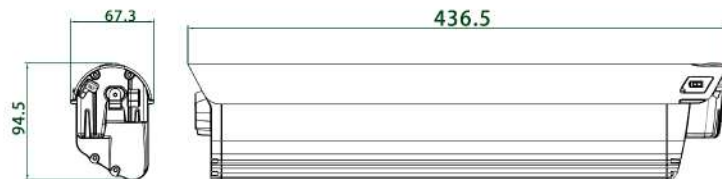
INNER BATTERY CASES

桌龙AB XL-AB

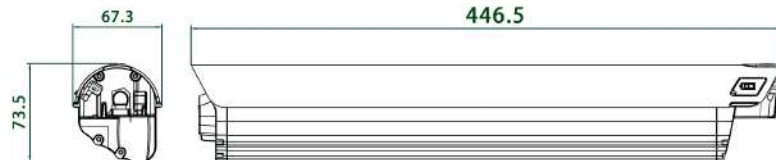


细节 / DETAILS

MAXIMUM CELLS/最大电芯数	52(18650)/40(21700)
CHARGING PORT / 充电口	DC 2.1 / DC 2.5 / 3PIN
DISCHARGING PORT / 放电口	SELF-MADE 6PIN / 自制6PIN
CAPACITY INDICATOR / 电量显示	3 COLORS LED CAPACITY/三色灯
PORT / 接口	\
POWER SWITCH/ 电源开关	YES



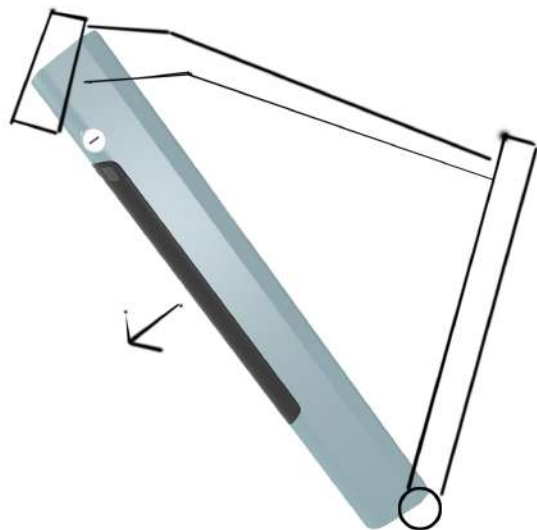
XL-A



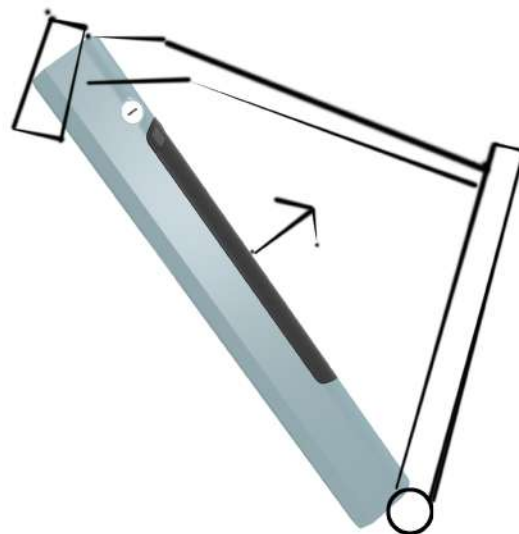
XL-B

INNER BATTERY CASES

桌龙A XL-A



下取



上取

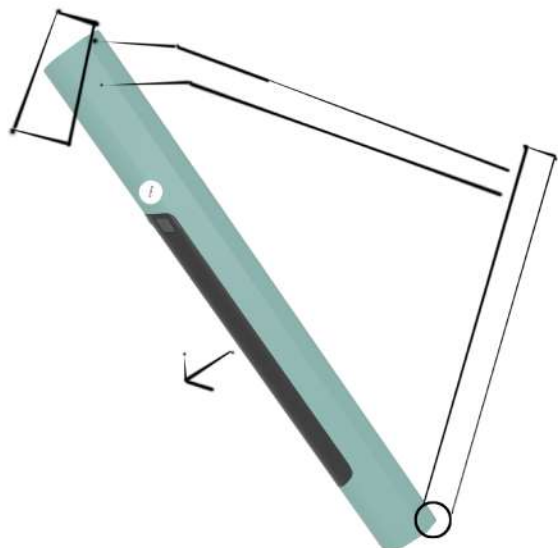
细节 / DETAILS

MAXIMUM CELLS/最大电芯数	52(18650)
CHARGING PORT / 充电口	DC 2.1 / DC 2.5 / 3PIN
DISCHARGING PORT / 放电口	SELF-MADE 6PIN / 自制6PIN
CAPACITY INDICATOR / 电量显示	3 COLORS LED CAPACITY/三色灯
PORT / 接口	\
POWER SWITCH/ 电源开关	YES

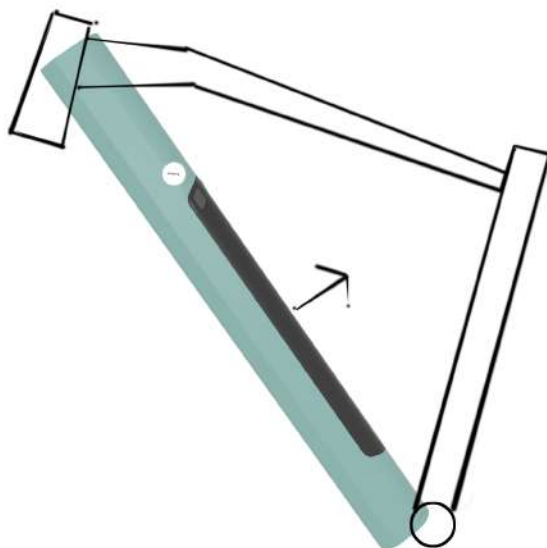


INNER BATTERY CASES

泉龙B XL-B



下取



上取

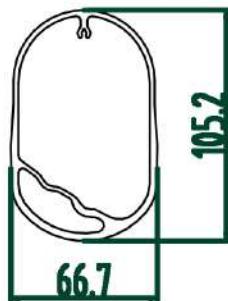
细节 / DETAILS

MAXIMUM CELLS/最大电芯数	40(18650)
CHARGING PORT / 充电口	DC 2.1 / DC 2.5 / 3PIN
DISCHARGING PORT / 放电口	SELF-MADE 6PIN / 自制6PIN
CAPACITY INDICATOR / 电量显示	3 COLORS LED CAPACITY/三色灯
PORT / 接口	\
POWER SWITCH/ 电源开关	YES

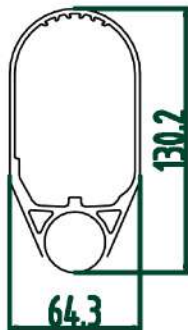


INNER BATTERY CASES

泉龙AB管型 TUBE



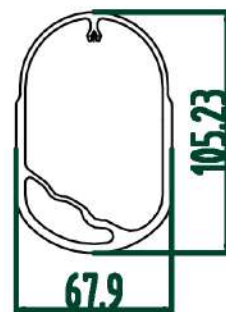
泉龙AS



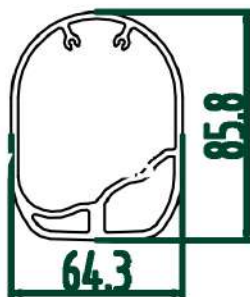
泉龙A座管



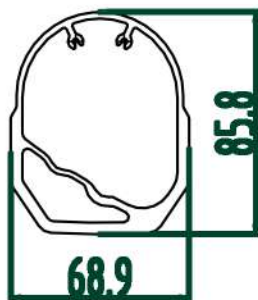
泉龙AT+



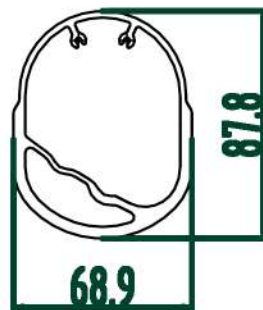
泉龙AS+



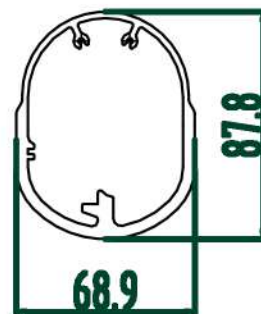
泉龙BS



泉龙BT+



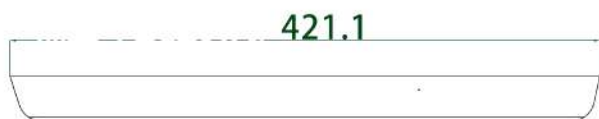
泉龙BS+



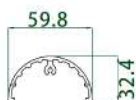
泉龙BSS+

INNER BATTERY CASES

宇龙一号 YL-1



421.1

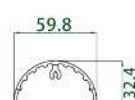


59.8

32.4

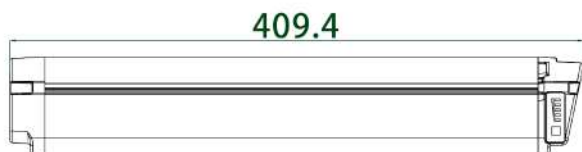


421.1

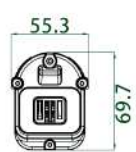


59.8

32.4

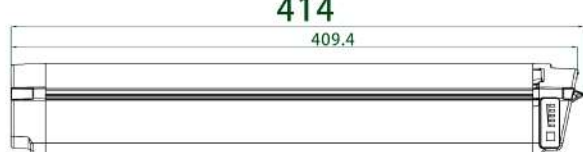


409.4



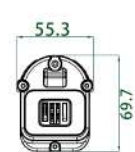
55.3

69.7



414

409.4



55.3

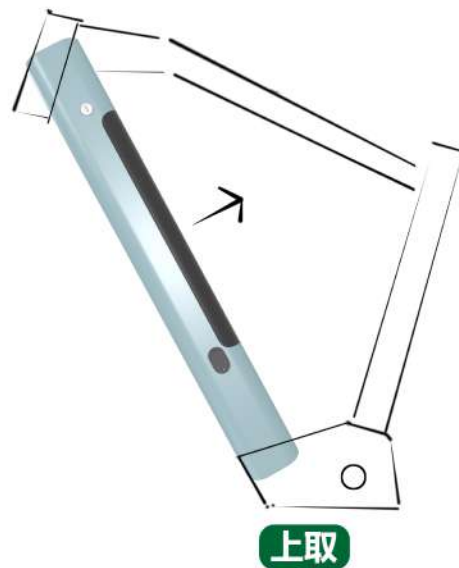
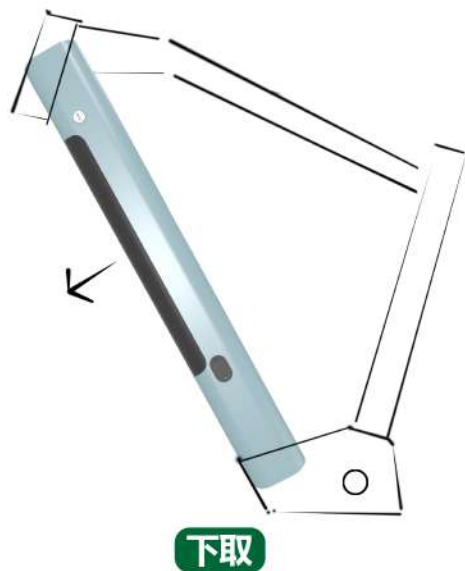
69.7

上取

下取

INNER BATTERY CASES

宇龙一号 YL-1



细节 / DETAILS

MAXIMUM CELLS/最大电芯数	30(18650)/20(21700)
CHARGING PORT / 充电口	DC 2.1 / DC 2.5 / 3PIN
DISCHARGING PORT / 放电口	SELF-MADE 6PIN / 自制6PIN
CAPACITY INDICATOR / 电量显示	4 LEVELS LED CAPACITY / 四灯
PORT / 接口	\
POWER SWITCH/ 电源开关	YES



INNER BATTERY CASES

宇龙二号 YL-2



433.3

57

58.9

436.8

433.3

57

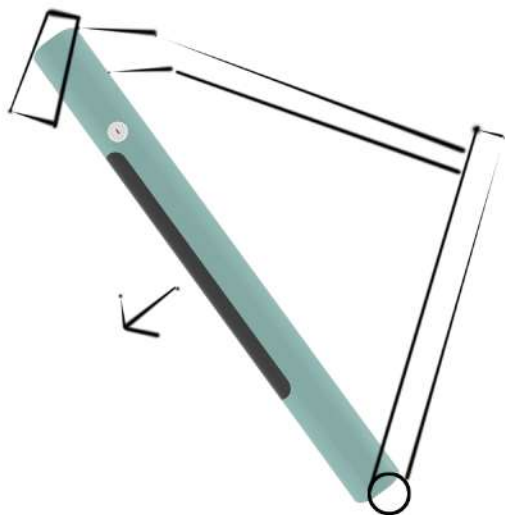
58.9

上取

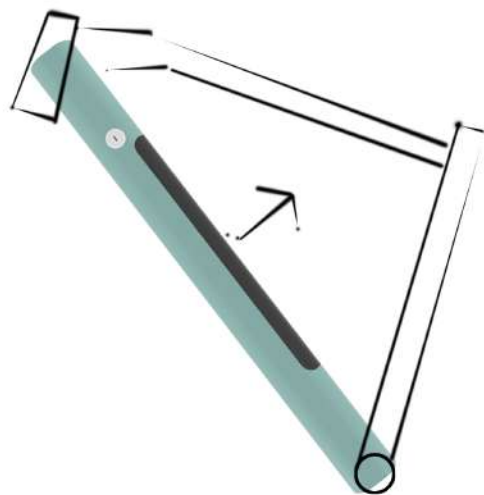
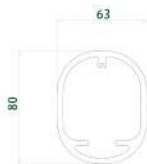
下取

INNER BATTERY CASES

宇龙二号 YL-2



下取



上取

细节 / DETAILS

MAXIMUM CELLS/最大电芯数	20(21700)
CHARGING PORT / 充电口	DC 2.1 / DC 2.5 / 3PIN
DISCHARGING PORT / 放电口	SELF-MADE 6PIN / 自制6PIN
CAPACITY INDICATOR / 电量显示	4 LEVELS LED CAPACITY / 四灯
PORT / 接口	\
POWER SWITCH/ 电源开关	YES



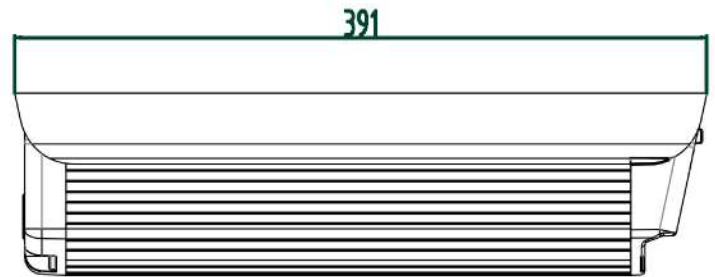
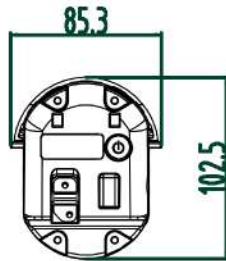
INNER BATTERY CASES

宇龙三号 YL-3



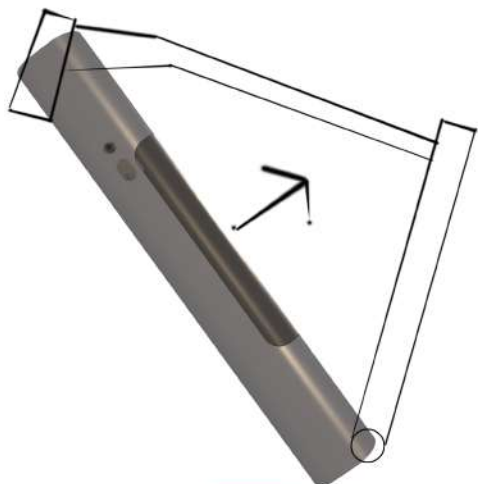
MAX CELLS

18650	/
21700	40CF

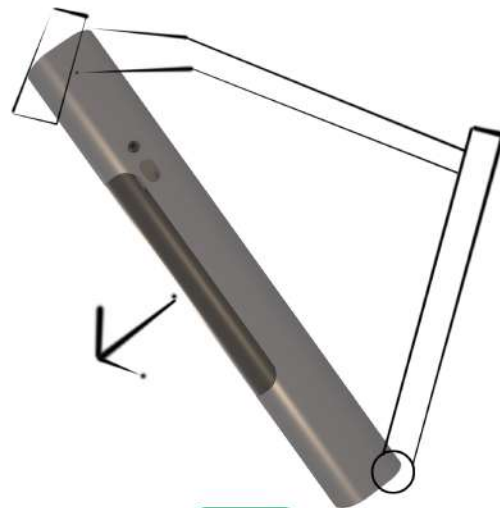
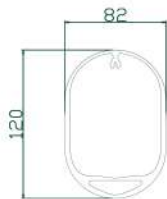


INNER BATTERY CASES

宇龙三号 YL-3



上取



下取

细节 / DETAILS

MAXIMUM CELLS/最大电芯数	40(21700)
CHARGING PORT / 充电口	DC 2.1 / DC 2.5 / 3PIN
DISCHARGING PORT / 放电口	SELF-MADE 6PIN / 自制6PIN
CAPACITY INDICATOR / 电量显示	4 LEVELS LED CAPACITY / 四灯
PORT / 接口	USB
POWER SWITCH/ 电源开关	YES



INNER BATTERY CASES

蜿龙AB WL-AB



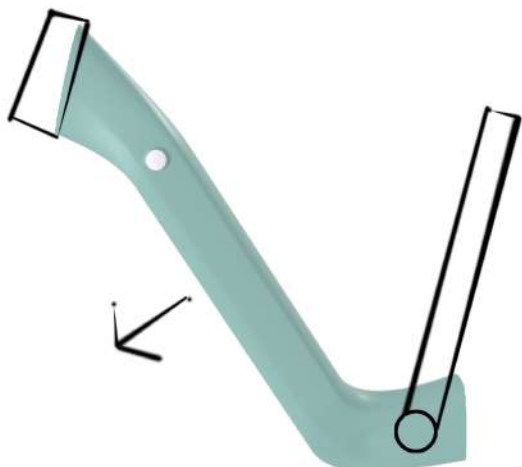
MAX CELLS

18650	/
21700	40CF

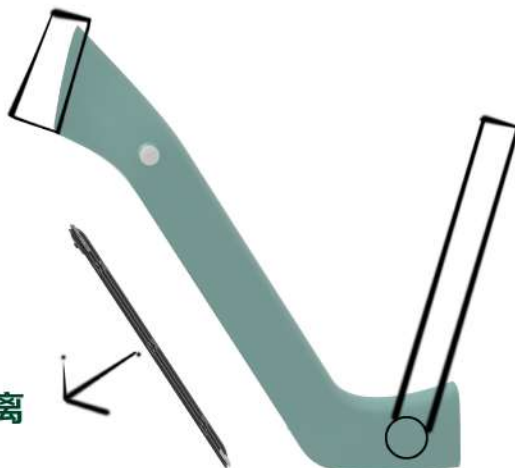


INNER BATTERY CASES

蜿龙AB WL-AB



WL-A



仓盖分离

WL-B

细节 / DETAILS

MAXIMUM CELLS/最大电芯数	40(21700)
CHARGING PORT / 充电口	DC 2.1 / DC 2.5 / 3PIN
DISCHARGING PORT / 放电口	SELF-MADE 7PIN / 自制7PIN
CAPACITY INDICATOR / 电量显示	5 LEVELS LED CAPACITY / 五灯
PORT / 接口	/
POWER SWITCH/ 电源开关	YES



WL-A



WL-B

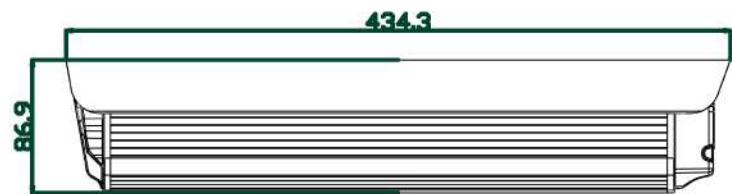
INNER BATTERY CASES

华龙-2 HL-2



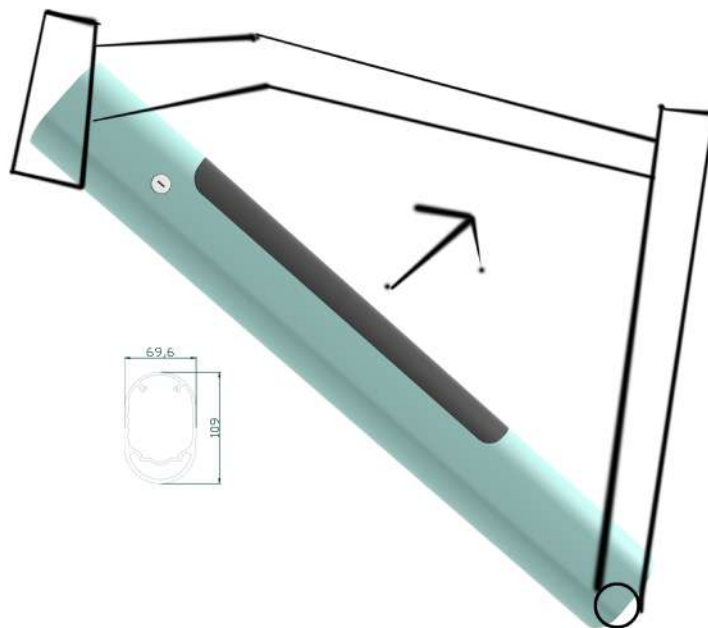
MAX CELLS

18650	50CF
21700	/



INNER BATTERY CASES

华龙-2 HL-2



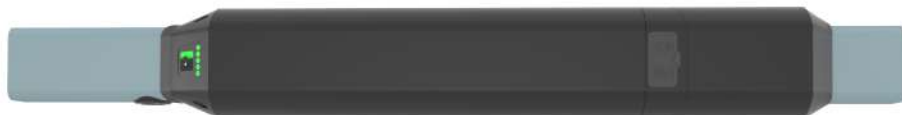
细节 / DETAILS

MAXIMUM CELLS/最大电芯数	50(18650)
CHARGING PORT / 充电口	DC 2.1 / DC 2.5 / 3PIN
DISCHARGING PORT / 放电口	SELF-MADE 7PIN / 自制7PIN
CAPACITY INDICATOR / 电量显示	5 LEVELS LED CAPACITY / 五灯
PORT / 接口	/
POWER SWITCH/ 电源开关	YES



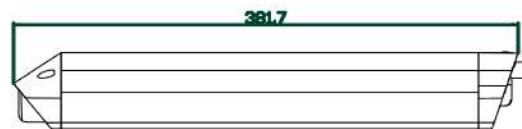
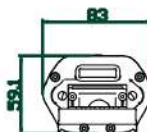
INNER BATTERY CASES

空中巴士



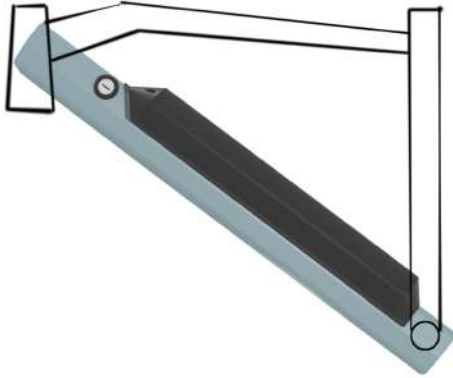
细节 / DETAILS

MAXIMUM CELLS/最大电芯数	50(18650)
CHARGING PORT / 充电口	DC 2.1 / DC 2.5 / 3PIN
DISCHARGING PORT / 放电口	SELF-MADE 5PIN / 自制5PIN
CAPACITY INDICATOR / 电量显示	4 LEVELS LED CAPACITY / 四灯
PORT / 接口	\
POWER SWITCH/ 电源开关	YES



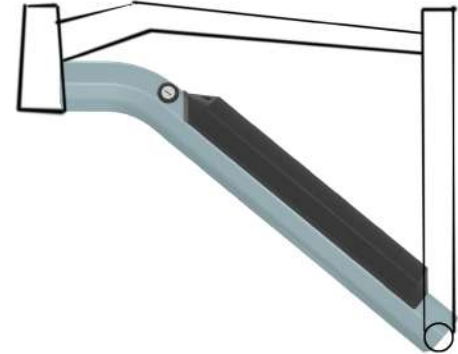
INNER BATTERY CASES

空中巴士



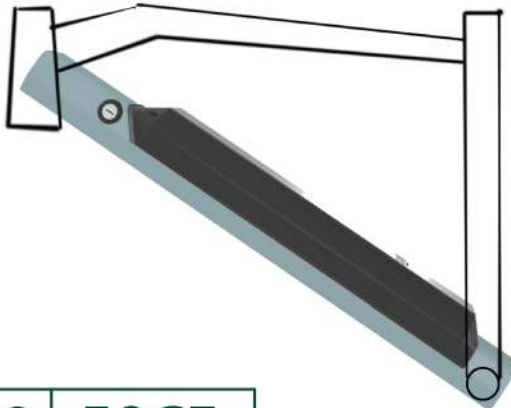
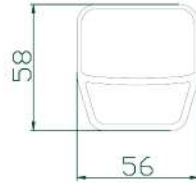
KB-1

straight tube with cable box



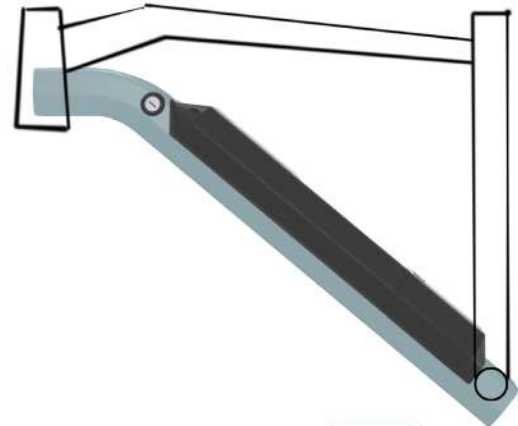
KB-2

bent tube with cable box



KB-3

straight tube with ctrl box



KB-4

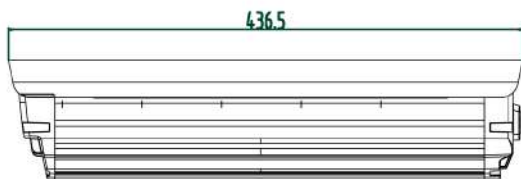
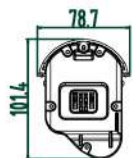
bent tube with cable box

MAX CELLS

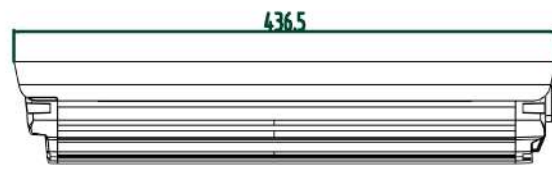
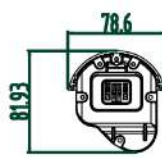
18650	50CF
21700	/

INNER BATTERY CASES

智博AB ZB-AB



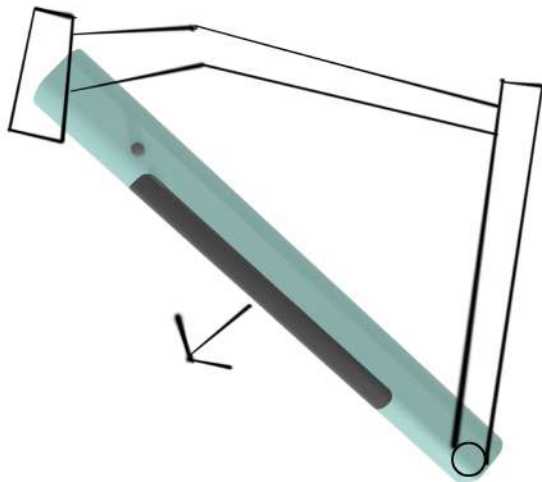
ZB-A



ZB-B

INNER BATTERY CASES

智博AB ZB-AB



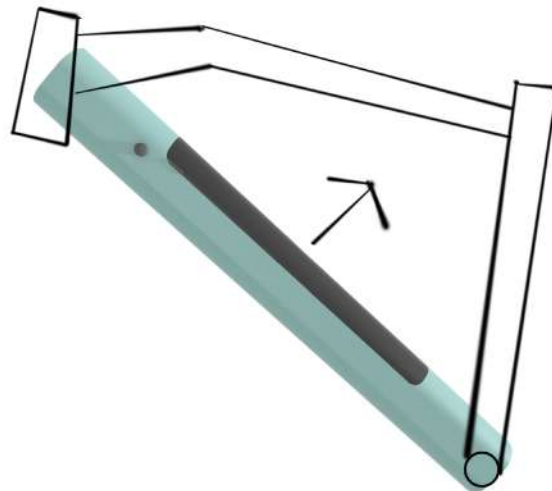
下取



ZB-A



ZB-B



上取

细节 / DETAILS

MAXIMUM CELLS/最大电芯数	52(18650)/40(18650)
CHARGING PORT / 充电口	DC 2.1 / DC 2.5 / 3PIN
DISCHARGING PORT / 放电口	SELF-MADE 6PIN / 自制6PIN
CAPACITY INDICATOR / 电量显示	4 LEVELS LED CAPACITY / 四灯
PORT / 接口	\
POWER SWITCH/ 电源开关	YES



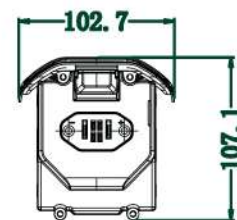
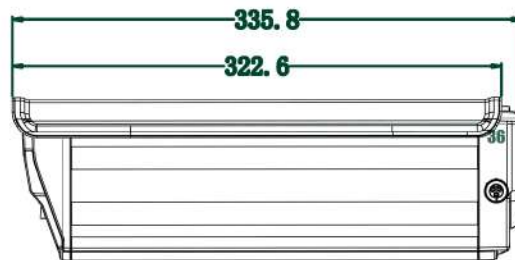
INNER BATTERY CASES

耀龙 HYYL



MAX CELLS

18650	52CF
21700	40CF



INNER BATTERY CASES

耀龙 HYYL



一体上取



折叠上取

细节 / DETAILS

MAXIMUM CELLS/最大电芯数	52(18650)/40(21700)
CHARGING PORT / 充电口	DC 2.1 / DC 2.5 / 3PIN
DISCHARGING PORT / 放电口	SELF-MADE 6PIN / 自制6PIN
CAPACITY INDICATOR / 电量显示	4 LEVELS LED CAPACITY / 四灯
PORT / 接口	\
POWER SWITCH/ 电源开关	YES



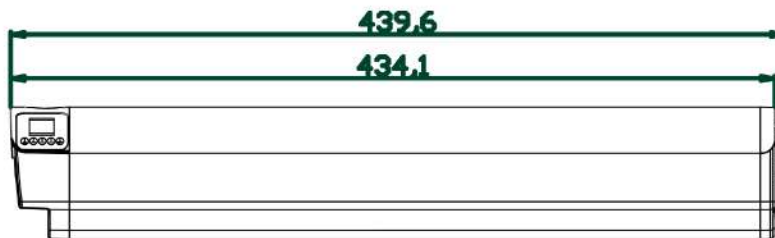
INNER BATTERY CASES

天鹰二号 TY-2



MAX CELLS

18650	40CF
21700	/



INNER BATTERY CASES



bullet-shaped, cylindrical design

天鹰二号 TY-2

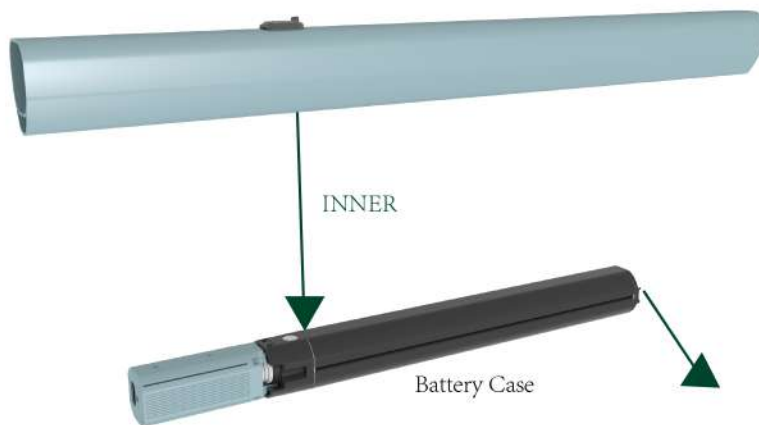


TG-2 also provides a bent tube structure

MAX CELLS

18650	40CF
21700	/

UP-TAKE STYLE AND DOWN-TAKE STYLE
可选上取/下取



*此款弯管管型可咨询我司



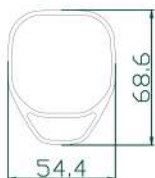
FY-1-A
直接出线



FY-1-B
with charger port
带充电口



FY-1-C
with charger port & controller position
带充电口和控制器位置



细节 / DETAILS

MAXIMUM CELLS/最大电芯数	20(18650)
CHARGING PORT / 充电口	DC 2.1 / DC 2.5 / 3PIN
DISCHARGING PORT / 放电口	SELF-MADE 6PIN / 自制6PIN
CAPACITY INDICATOR / 电量显示	NONE
PORT / 接口	\
POWER SWITCH/ 电源开关	NO

MAX CELLS

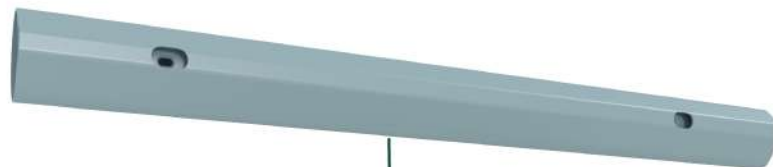
18650	20CF
21700	/

INNER BATTERY CASES

天马二号 TM-2



two options for round tubes



INNER



Battery Case



HYTM-2-A

直接出线



HYTM-2-B

with charger port
带充电口



HYTM-2-C

with charger port & controller position
带充电口和控制器位置

细节 / DETAILS

MAXIMUM CELLS/最大电芯数 40(18650)/30(21700)

CHARGING PORT / 充电口 DC 2.1 / DC 2.5 / 3PIN

DISCHARGING PORT / 放电口 SELF-MADE 6PIN / 自制6PIN

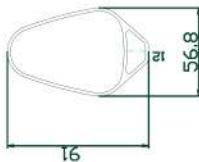
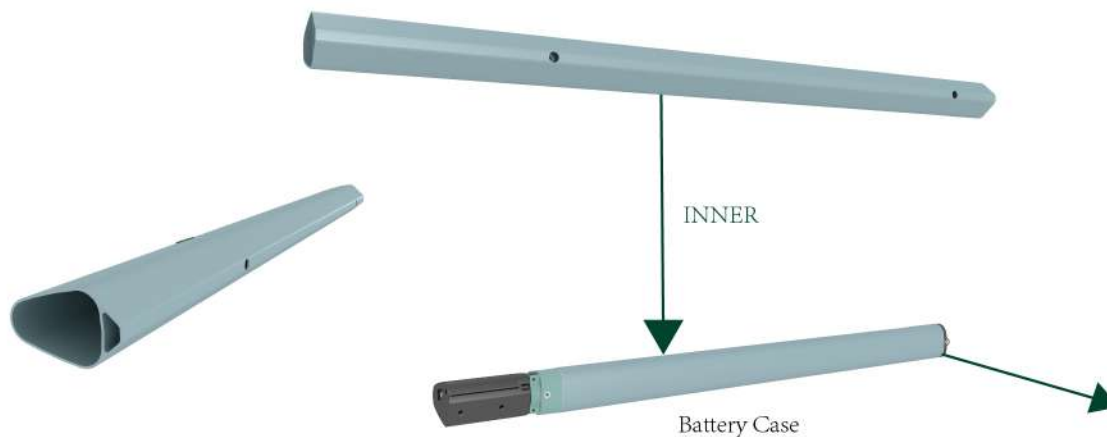
CAPACITY INDICATOR / 电量显示 4 LEVELS LED CAPACITY / 四灯

PORT / 接口 \

POWER SWITCH/ 电源开关 YES

MAX CELLS

18650	40CF
21700	30CF



ZS-1-A
直接出线



ZS-1-B
with charger port
带充电口



ZS-1-C
with charger port & controller position
带充电口和控制器位置

细节 / DETAILS

MAXIMUM CELLS/最大电芯数	30(21700)
CHARGING PORT / 充电口	DC 2.1 / DC 2.5 / 3PIN
DISCHARGING PORT / 放电口	SELF-MADE 6PIN / 自制6PIN
CAPACITY INDICATOR / 电量显示	NONE
PORT / 接口	\
POWER SWITCH/ 电源开关	YES

MAX CELLS

18650	/
21700	30CF

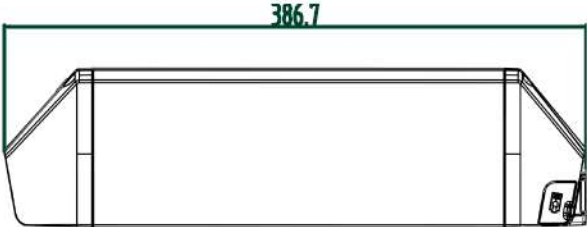
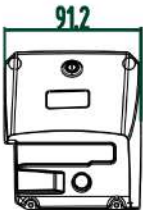
INNER BATTERY CASES

海霸 HB



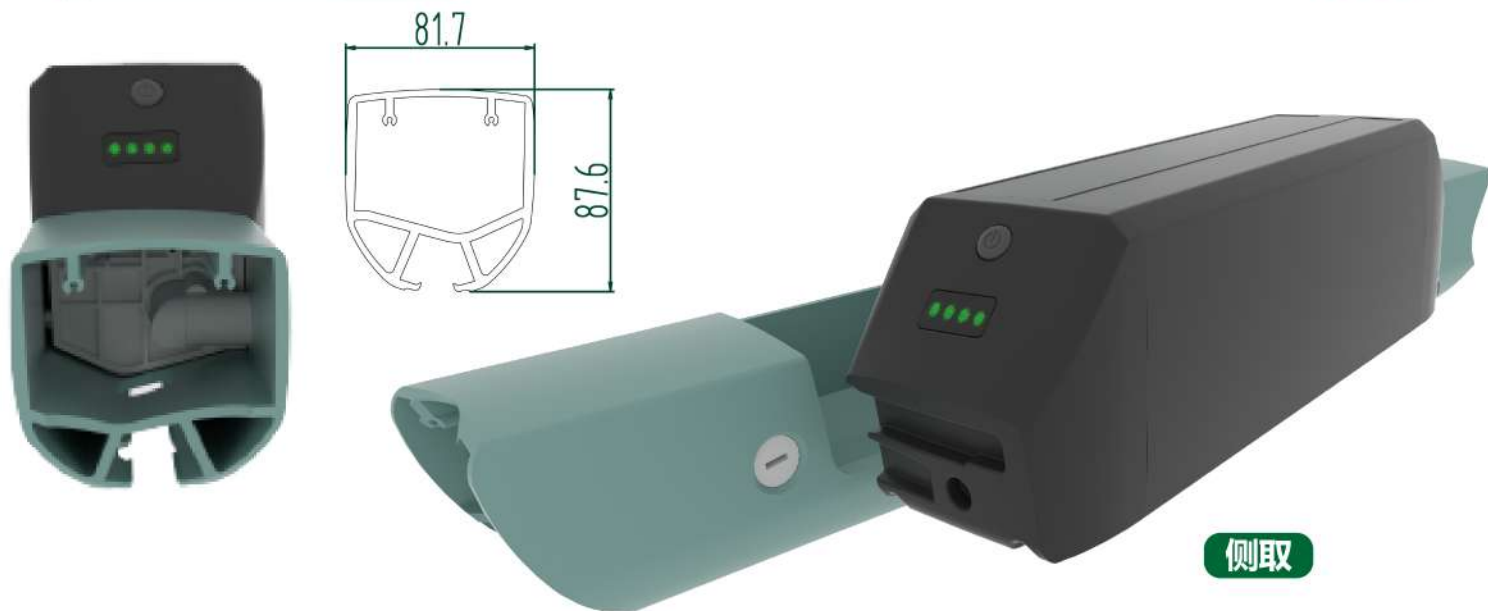
MAX CELLS

18650	78CF
21700	52CF



INNER BATTERY CASES

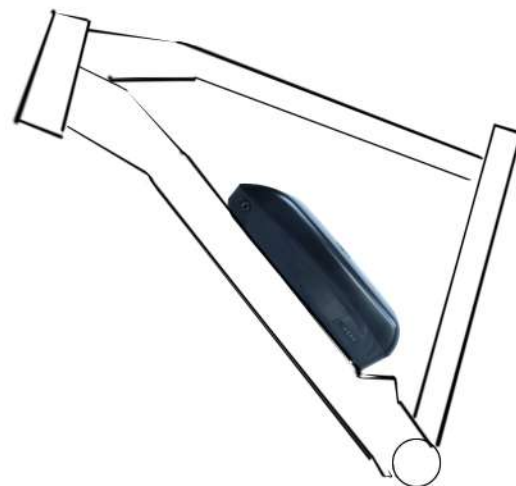
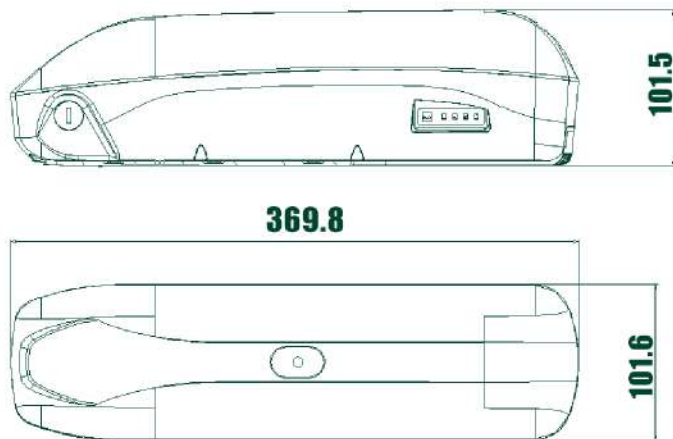
海霸 HB



细节 / DETAILS

MAXIMUM CELLS/最大电芯数	78(18650)/52(21700)
CHARGING PORT / 充电口	DC 2.1 / DC 2.5 / 3PIN
DISCHARGING PORT / 放电口	SELF-MADE 6PIN / 自制6PIN
CAPACITY INDICATOR / 电量显示	4 LEVELS LED CAPACITY / 四灯
PORT / 接口	\
POWER SWITCH/ 电源开关	YES





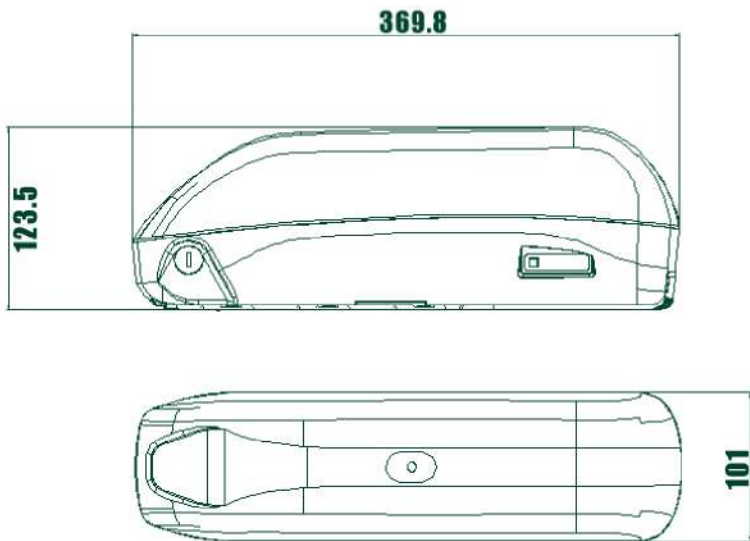
细节 / DETAILS

MAXIMUM CELLS/最大电芯数	52(18650)/40(21700)
CHARGING PORT / 充电口	DC 2.1 / DC 2.5 / 3PIN
DISCHARGING PORT / 放电口	SELF-MADE 4PIN / 自制4PIN
CAPACITY INDICATOR / 电量显示	4 LEVELS LED CAPACITY / 四灯
PORT / 接口	\
POWER SWITCH / 电源开关	YES



KETTLE BATTERY CASES

复兴号-B FXH-B



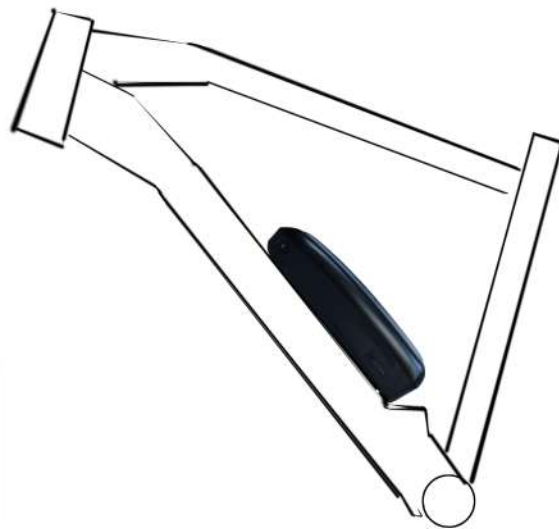
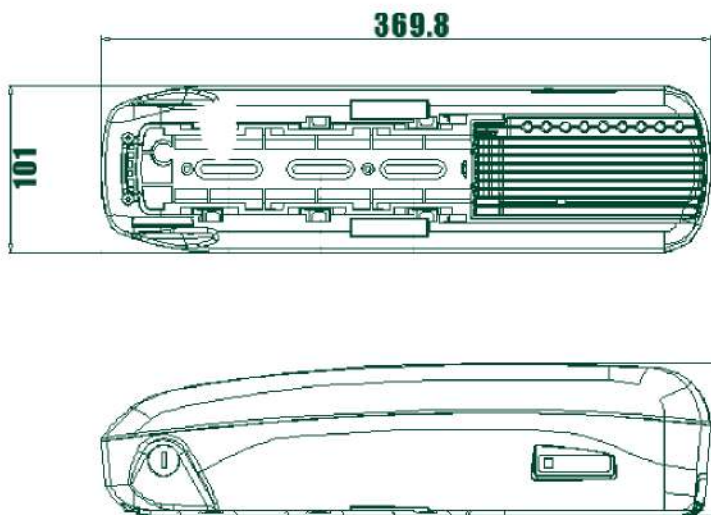
细节 / DETAILS

MAXIMUM CELLS/最大电芯数	65(18650)/50(21700)
CHARGING PORT / 充电口	DC 2.1 / DC 2.5 / 3PIN
DISCHARGING PORT / 放电口	SELF-MADE 4PIN / 自制4PIN
CAPACITY INDICATOR / 电量显示	4 LEVELS LED CAPACITY / 四灯
PORT / 接口	\
POWER SWITCH/ 电源开关	YES



KETTLE BATTERY CASES

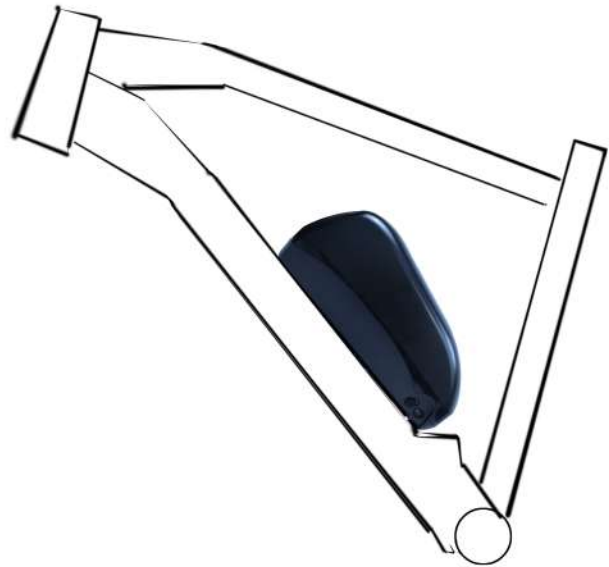
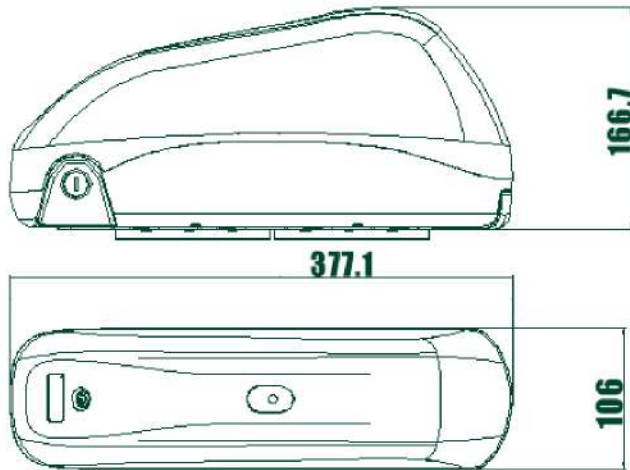
复兴号-C FXH-C



细节 / DETAILS

MAXIMUM CELLS/最大电芯数	40(18650)/30(21700)
CHARGING PORT / 充电口	DC 2.1 / DC 2.5 / 3PIN
DISCHARGING PORT / 放电口	SELF-MADE 4PIN / 自制4PIN
CAPACITY INDICATOR / 电量显示	4 LEVELS LED CAPACITY / 四灯
PORT / 接口	\
POWER SWITCH/ 电源开关	YES





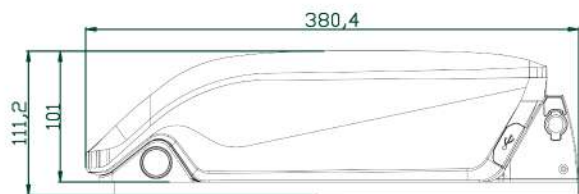
细节 / DETAILS

MAXIMUM CELLS/最大电芯数	91(18650)/65(21700)
CHARGING PORT / 充电口	DC 2.1 / DC 2.5 / 3PIN
DISCHARGING PORT / 放电口	SELF-MADE 5PIN / 自制5PIN
CAPACITY INDICATOR / 电量显示	4 LEVELS LED CAPACITY / 四灯
PORT / 接口	\
POWER SWITCH/ 电源开关	YES

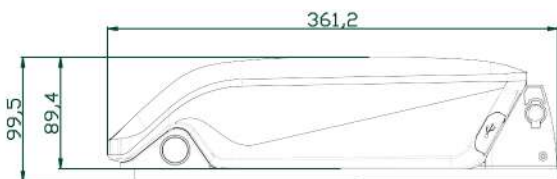


INNER BATTERY CASES

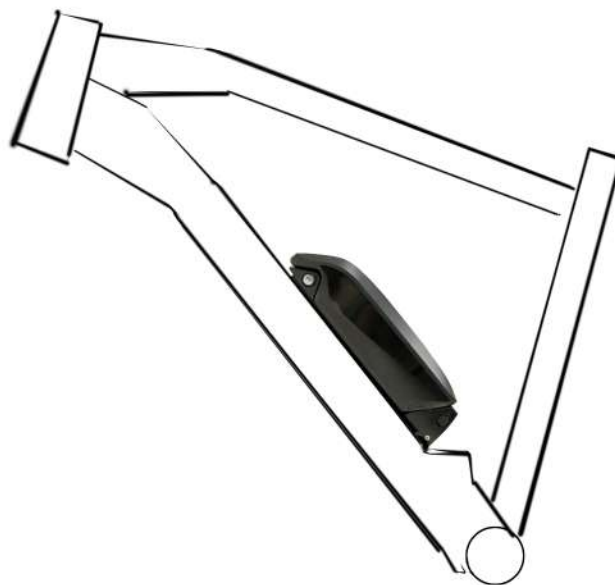
新和谐号-集线器盒 XHXH-1



52(18650)/40(21700)



40(18650)/30(21700)



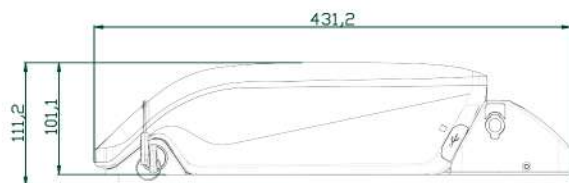
细节 / DETAILS

MAXIMUM CELLS/最大电芯数	52(18650)/40(21700)
CHARGING PORT / 充电口	DC 2.1 / DC 2.5 / 3PIN
DISCHARGING PORT / 放电口	SELF-MADE 6PIN / 自制6PIN
CAPACITY INDICATOR / 电量显示	4 LEVELS LED CAPACITY / 四灯
PORT / 接口	\
POWER SWITCH/ 电源开关	YES

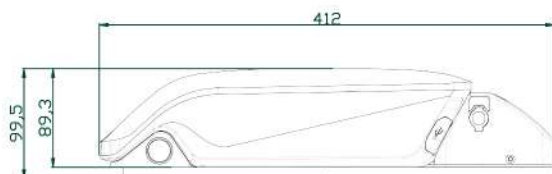


INNER BATTERY CASES

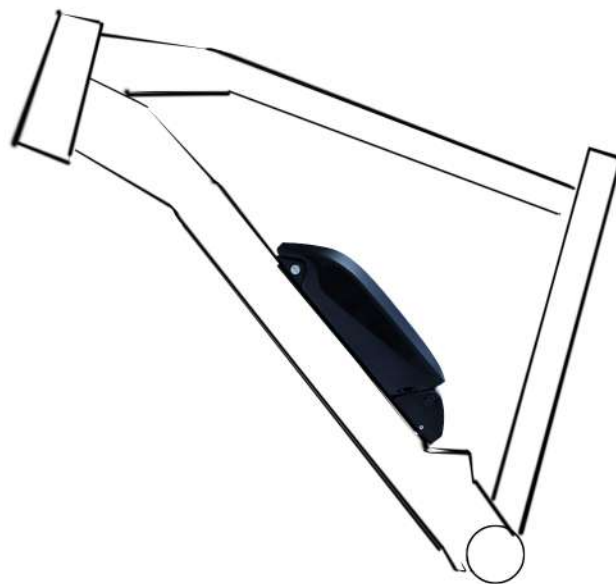
新和谐号-控制器盒 XHXH-2



52(18650)/40(21700)



40(18650)/30(21700)



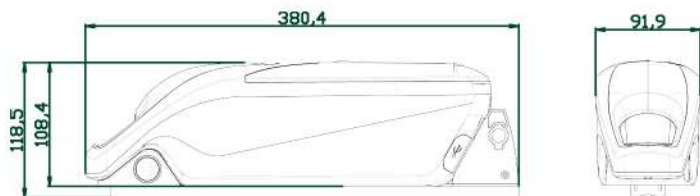
细节 / DETAILS

MAXIMUM CELLS/最大电芯数	52(18650)/40(21700)
CHARGING PORT / 充电口	DC 2.1 / DC 2.5 / 3PIN
DISCHARGING PORT / 放电口	SELF-MADE 6PIN / 自制6PIN
CAPACITY INDICATOR / 电量显示	4 LEVELS LED CAPACITY / 四灯
PORT / 接口	\
POWER SWITCH/ 电源开关	YES

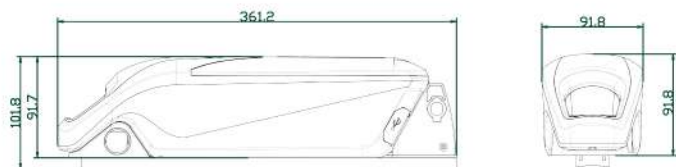


KETTLE BATTERY CASES

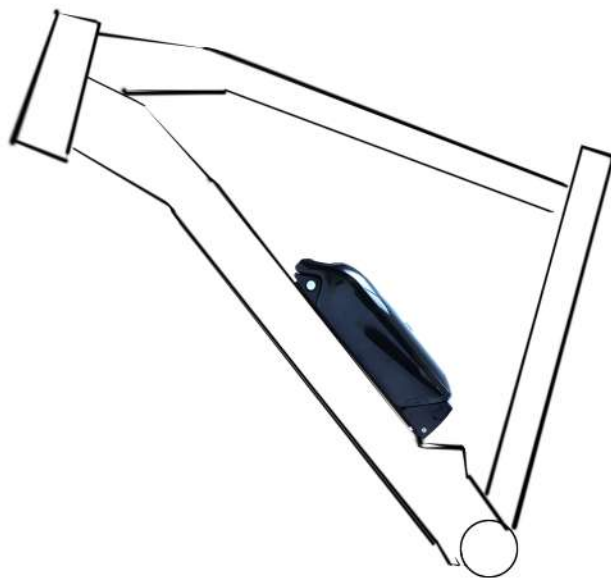
和谐号-集线盒 HXH-1



52(18650)/40(21700)



40(18650)/30(21700)



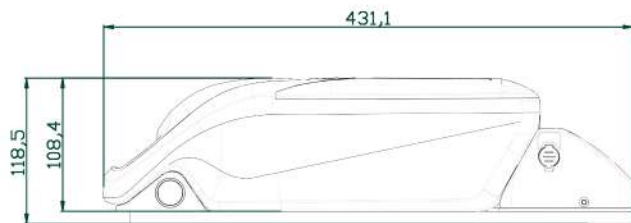
细节 / DETAILS

MAXIMUM CELLS/最大电芯数	52(18650)/40(21700)
CHARGING PORT / 充电口	DC 2.1 / DC 2.5 / 3PIN
DISCHARGING PORT / 放电口	SELF-MADE 6PIN / 自制6PIN
CAPACITY INDICATOR / 电量显示	4 LEVELS LED CAPACITY / 四灯
PORT / 接口	\
POWER SWITCH/ 电源开关	YES

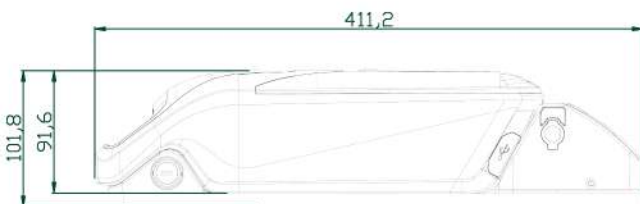


KETTLE BATTERY CASES

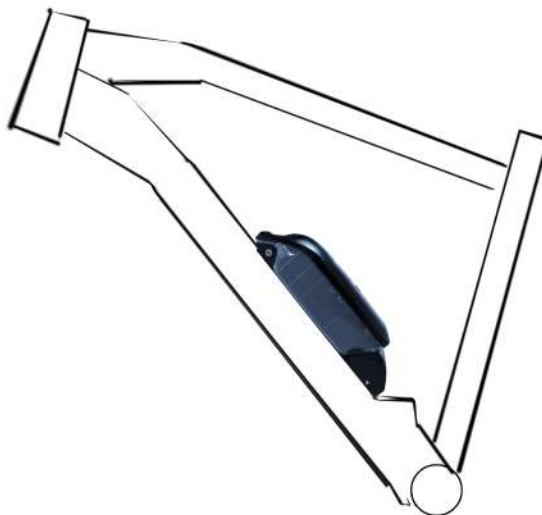
和谐号-控制器盒 HXH-2



52(18650)/40(21700)



40(18650)/30(21700)



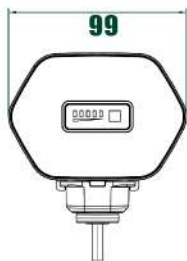
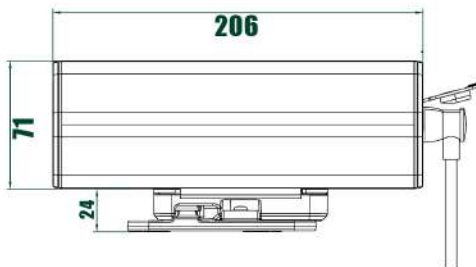
细节 / DETAILS

MAXIMUM CELLS/最大电芯数	52(18650)/40(21700)
CHARGING PORT / 充电口	DC 2.1 / DC 2.5 / 3PIN
DISCHARGING PORT / 放电口	SELF-MADE 6PIN / 自制6PIN
CAPACITY INDICATOR / 电量显示	4 LEVELS LED CAPACITY / 四灯
PORT / 接口	\
POWER SWITCH/ 电源开关	YES

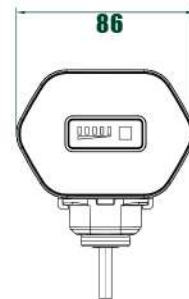
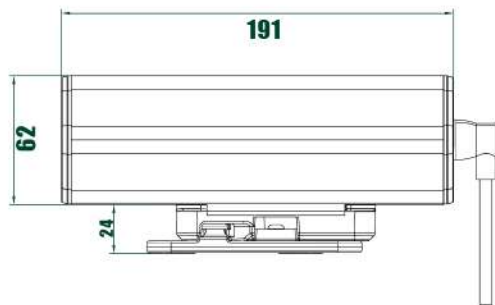


INNER BATTERY CASES

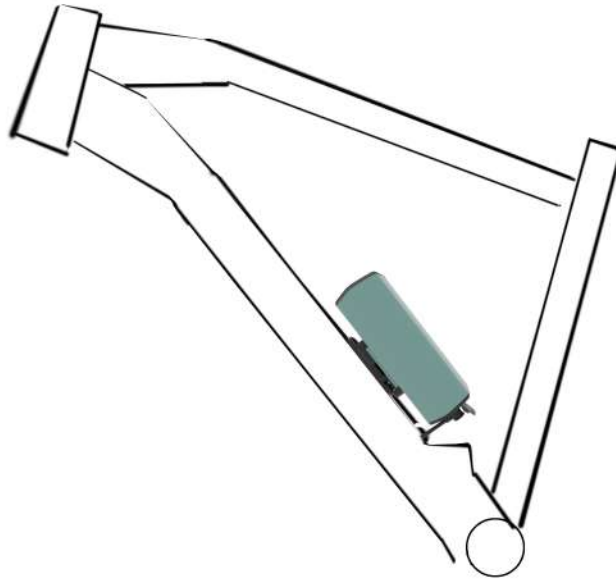
海翼 HAIY



HAIY-1



HAIY-2



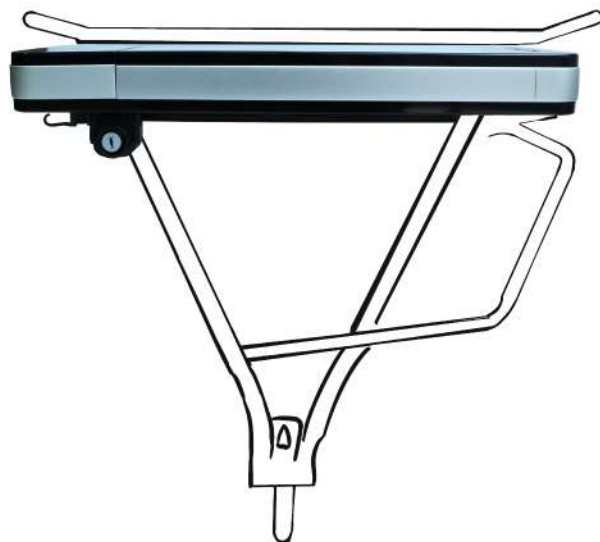
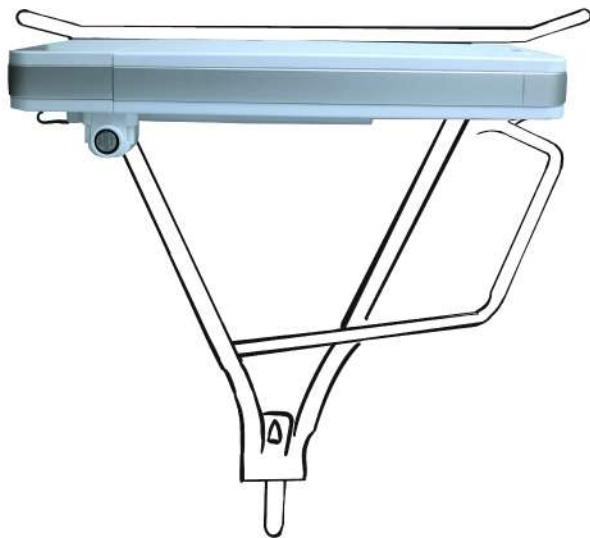
细节 / DETAILS

MAXIMUM CELLS/最大电芯数	20(18650)/20(21700)
CHARGING PORT / 充电口	DC 2.1 / DC 2.5 / 3PIN
DISCHARGING PORT / 放电口	SELF-MADE 6PIN / 自制6PIN
CAPACITY INDICATOR / 电量显示	5 LEVELS LED CAPACITY / 五灯
PORT / 接口	TYPE-C
POWER SWITCH/ 电源开关	YES



REAR CARRIER BATTERY CASES

银苹果 YPG



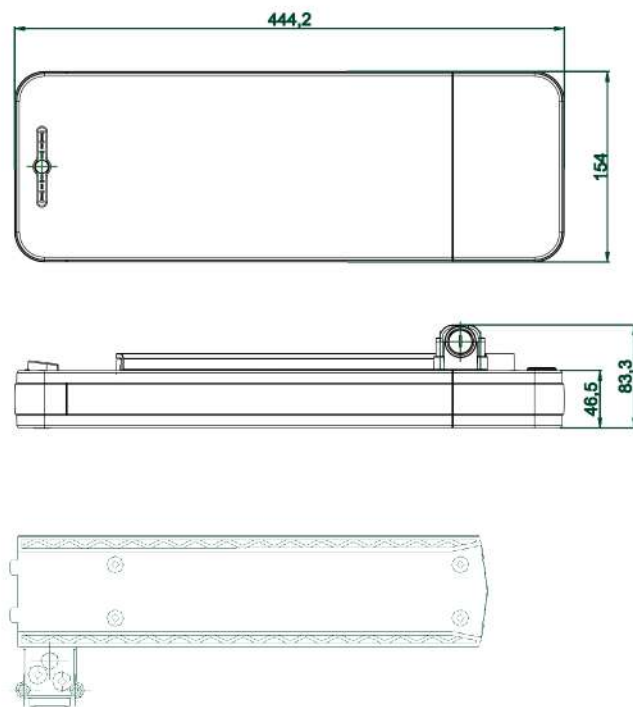
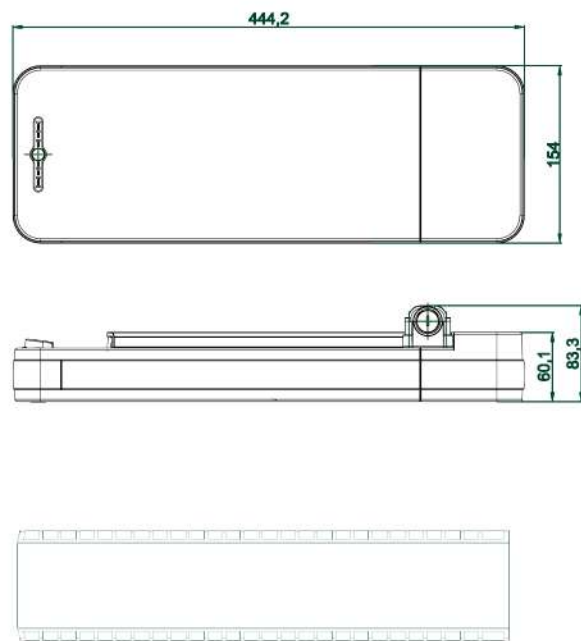
细节 / DETAILS

MAXIMUM CELLS/最大电芯数	52(18650)
CHARGING PORT / 充电口	DC 2.1 / DC 2.5 / 3PIN
DISCHARGING PORT / 放电口	SELF-MADE 6PIN / 自制6PIN
CAPACITY INDICATOR / 电量显示	6 LEVELS LED CAPACITY / 六灯
PORT / 接口	USB
POWER SWITCH/ 电源开关	YES



REAR CARRIER BATTERY CASES

银苹果-塑件 YPG-A

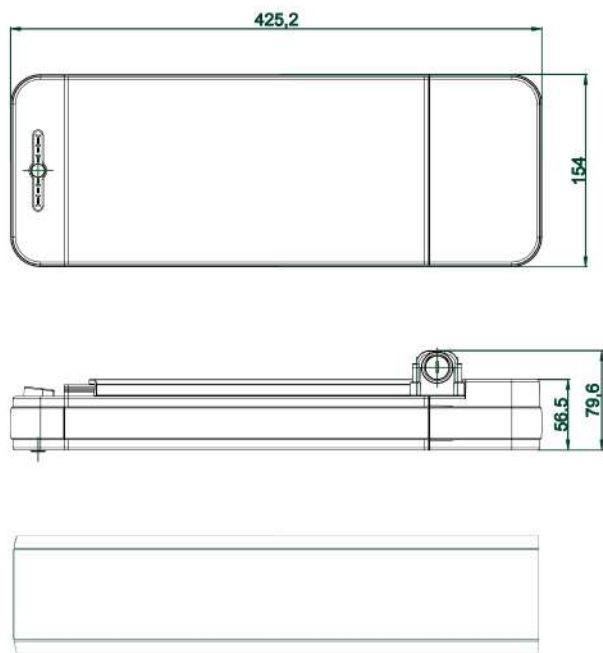


细节 / DETAILS

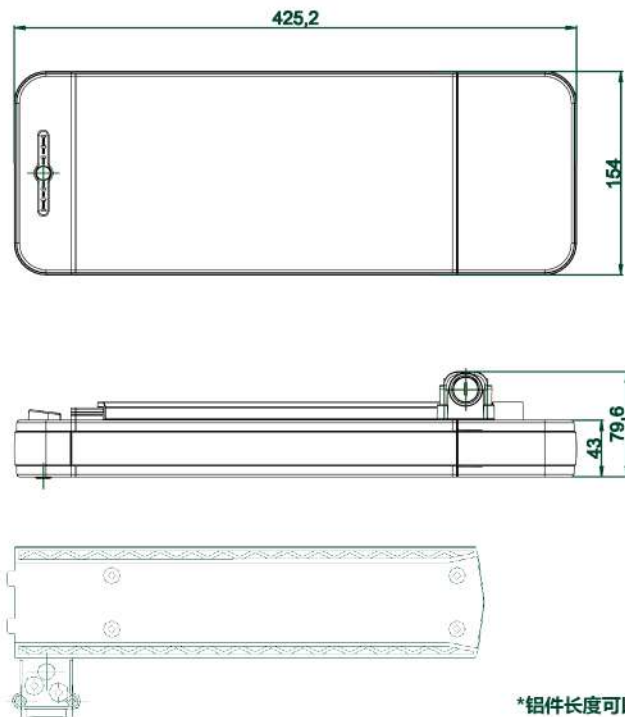
MAXIMUM CELLS/最大电芯数	52(18650)
CHARGING PORT / 充电口	DC 2.1 / DC 2.5 / 3PIN
DISCHARGING PORT / 放电口	SELF-MADE 6PIN / 自制6PIN
CAPACITY INDICATOR / 电量显示	6 LEVELS LED CAPACITY / 六灯
PORT / 接口	USB
POWER SWITCH/ 电源开关	YES



REAR CARRIER BATTERY CASES



银苹果-铝 YPG-B

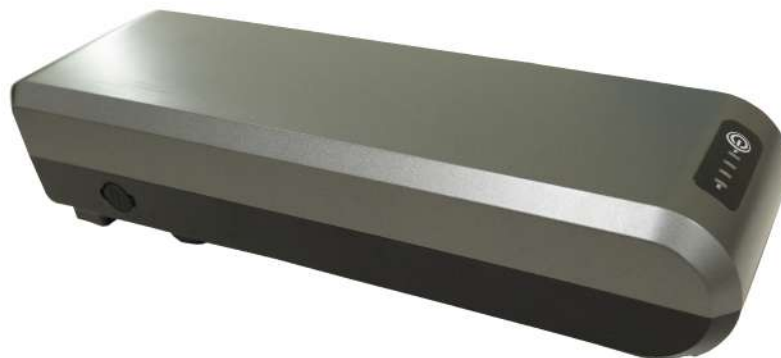


*铝件长度可以修改

细节 / DETAILS

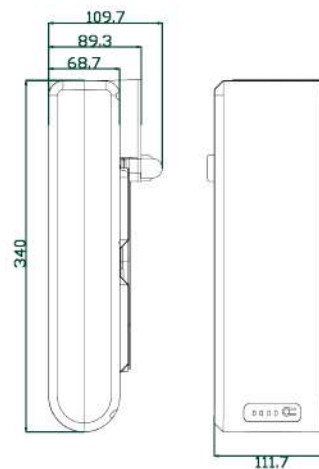
MAXIMUM CELLS/最大电芯数	52(18650)
CHARGING PORT / 充电口	DC 2.1 / DC 2.5 / 3PIN
DISCHARGING PORT / 放电口	SELF-MADE 6PIN / 自制6PIN
CAPACITY INDICATOR / 电量显示	6 LEVELS LED CAPACITY / 六灯
PORT / 接口	USB
POWER SWITCH/ 电源开关	YES





细节 / DETAILS

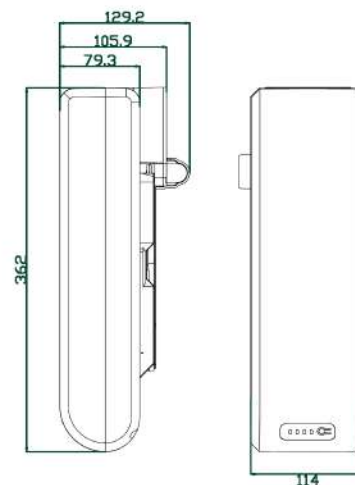
MAXIMUM CELLS/最大电芯数	40(18650)
CHARGING PORT / 充电口	DC 2.1 / DC 2.5 / 3PIN
DISCHARGING PORT / 放电口	SELF-MADE 5PIN / 自制5PIN
CAPACITY INDICATOR / 电量显示	4 LEVELS LED CAPACITY / 四灯
PORT / 接口	USB
POWER SWITCH/ 电源开关	YES





细节 / DETAILS

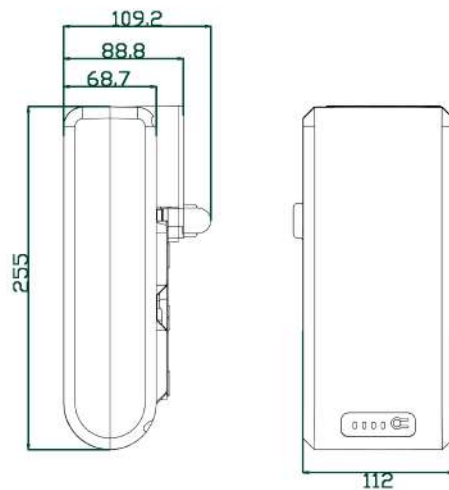
MAXIMUM CELLS/最大电芯数	52(18650)/40(21700)
CHARGING PORT / 充电口	DC 2.1 / DC 2.5 / 3PIN
DISCHARGING PORT / 放电口	SELF-MADE 5PIN / 自制5PIN
CAPACITY INDICATOR / 电量显示	4 LEVELS LED CAPACITY / 四灯
PORT / 接口	\
POWER SWITCH/ 电源开关	YES





细节 / DETAILS

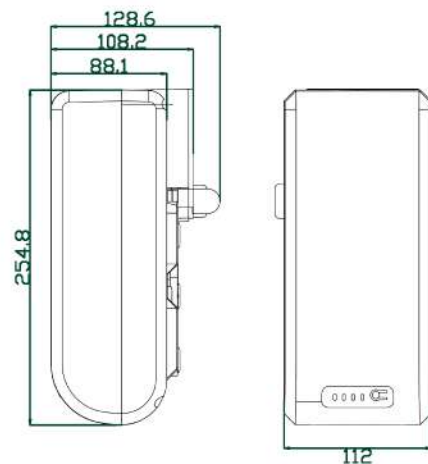
MAXIMUM CELLS/最大电芯数	30(18650)
CHARGING PORT / 充电口	DC 2.1 / DC 2.5 / 3PIN
DISCHARGING PORT / 放电口	SELF-MADE 5PIN / 自制5PIN
CAPACITY INDICATOR / 电量显示	4 LEVELS LED CAPACITY / 四灯
PORT / 接口	\
POWER SWITCH/ 电源开关	YES





细节 / DETAILS

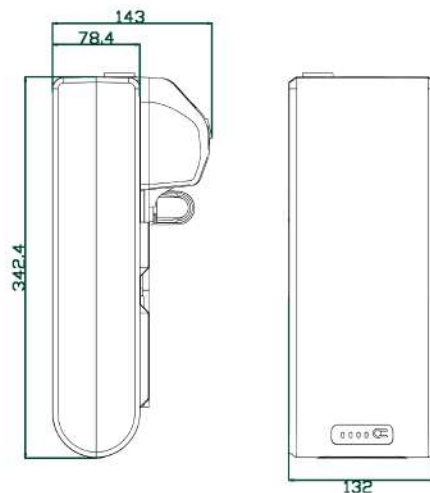
MAXIMUM CELLS/最大电芯数	40(18650)
CHARGING PORT / 充电口	DC 2.1 / DC 2.5 / 3PIN
DISCHARGING PORT / 放电口	SELF-MADE 5PIN / 自制5PIN
CAPACITY INDICATOR / 电量显示	4 LEVELS LED CAPACITY / 四灯
PORT / 接口	\
POWER SWITCH/ 电源开关	YES





细节 / DETAILS

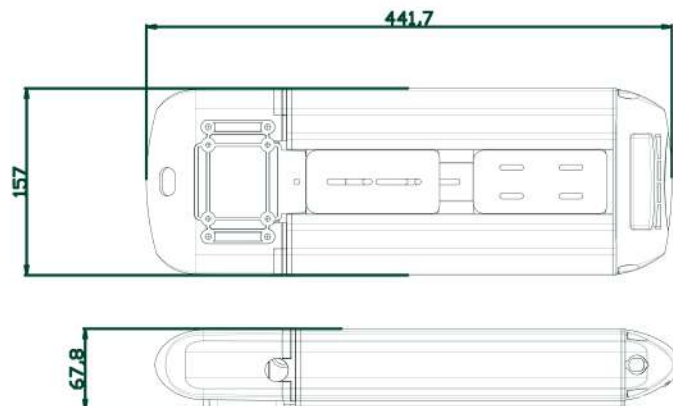
MAXIMUM CELLS/最大电芯数	78(18650)/60(21700)
CHARGING PORT / 充电口	DC 2.1 / DC 2.5 / 3PIN
DISCHARGING PORT / 放电口	SELF-MADE 5PIN / 自制5PIN
CAPACITY INDICATOR / 电量显示	4 LEVELS LED CAPACITY / 四灯
PORT / 接口	\
POWER SWITCH/ 电源开关	YES





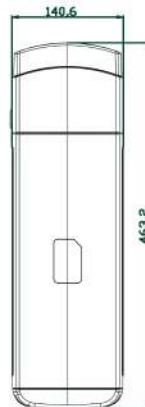
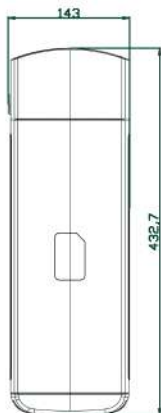
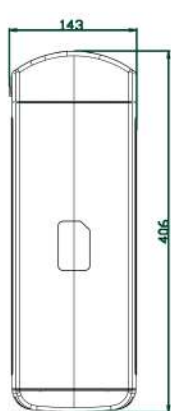
细节 / DETAILS

MAXIMUM CELLS/最大电芯数	52(18650)
CHARGING PORT / 充电口	DC 2.1 / DC 2.5 / 3PIN
DISCHARGING PORT / 放电口	SELF-MADE 6PIN / 自制6PIN
CAPACITY INDICATOR / 电量显示	6 LEVELS LED CAPACITY / 六灯
PORT / 接口	\
POWER SWITCH/ 电源开关	YES



REAR CARRIER BATTERY CASES

新海玛 HY-XHM



HY-XHM-1

WITH CABLE BOX

HY-XHM-2

WITH CONTROLLER BOX

HY-XHM-3

WITH LONGER CONTROLLER BOX

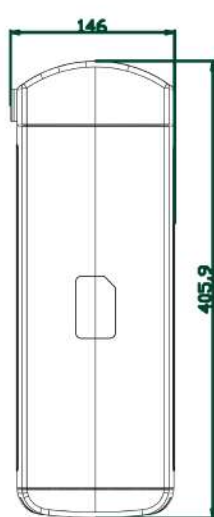
细节 / DETAILS

MAXIMUM CELLS/最大电芯数	52(18650)
CHARGING PORT / 充电口	DC 2.1 / DC 2.5 / 3PIN
DISCHARGING PORT / 放电口	SELF-MADE 6PIN / 自制6PIN
CAPACITY INDICATOR / 电量显示	5 LEVELS LED CAPACITY / 五灯
PORT / 接口	USB
POWER SWITCH/ 电源开关	YES



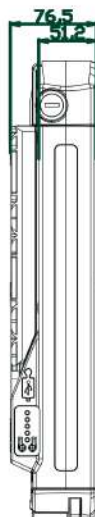
REAR CARRILER BATTERY CASES

海玛 HY-HM



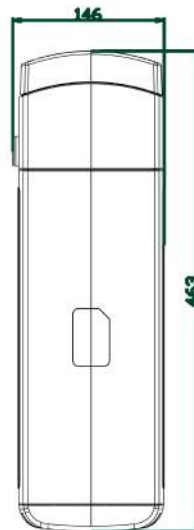
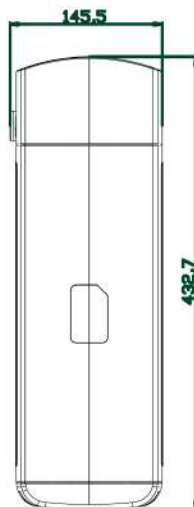
HY-XHM-1

WITH CABLE BOX



HY-XHM-2

WITH CONTROLLER BOX



HY-XHM-3

WITH LONGER CONTROLLER BOX



细节 / DETAILS

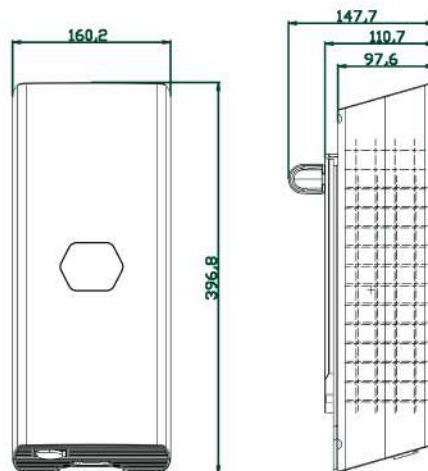
MAXIMUM CELLS/最大电芯数	40(18650)
CHARGING PORT / 充电口	DC 2.1 / DC 2.5 / 3PIN
DISCHARGING PORT / 放电口	SELF-MADE 6PIN / 自制6PIN
CAPACITY INDICATOR / 电量显示	5 LEVELS LED CAPACITY / 五灯
PORT / 接口	USB
POWER SWITCH/ 电源开关	YES





细节 / DETAILS

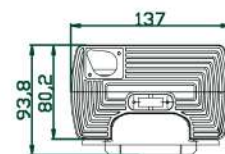
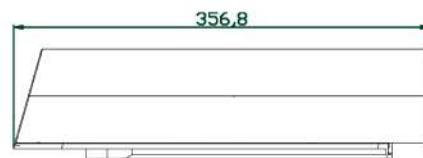
MAXIMUM CELLS/最大电芯数	104(18650)/78(21700)
CHARGING PORT / 充电口	3PIN
DISCHARGING PORT / 放电口	SELF-MADE 5PIN / 自制5PIN
CAPACITY INDICATOR / 电量显示	NONE
PORT / 接口	\
POWER SWITCH/ 电源开关	NO





细节 / DETAILS

MAXIMUM CELLS/最大电芯数	78(18650)/52(21700)
CHARGING PORT / 充电口	3PIN
DISCHARGING PORT / 放电口	SELF-MADE 5PIN / 自制5PIN
CAPACITY INDICATOR / 电量显示	NONE
PORT / 接口	\
POWER SWITCH/ 电源开关	NO



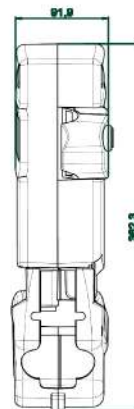
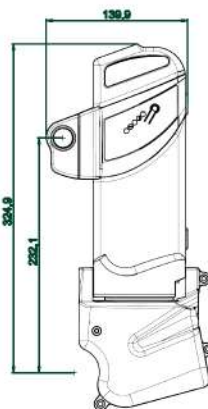
REAR PLUG-IN BATTERY CASES

樱花一号 CLS-01



细节 / DETAILS

MAXIMUM CELLS/最大电芯数	28(18650)
CHARGING PORT / 充电口	DC 2.1 / DC 2.5 / 3PIN
DISCHARGING PORT / 放电口	SELF-MADE 5PIN / 自制5PIN
CAPACITY INDICATOR / 电量显示	5 LEVELS LED CAPACITY / 五灯
PORT / 接口	\
POWER SWITCH/ 电源开关	NO



REAR PLUG-IN BATTERY CASES

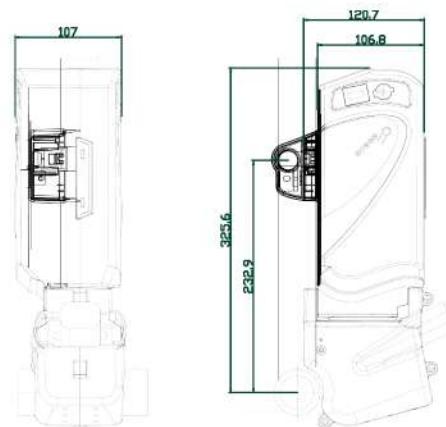


樱花二号 CLS-02



细节 / DETAILS

MAXIMUM CELLS/最大电芯数	40(18650)
CHARGING PORT / 充电口	DC 2.1 / DC 2.5 / 3PIN
DISCHARGING PORT / 放电口	SELF-MADE 5PIN / 自制5PIN
CAPACITY INDICATOR / 电量显示	5 LEVELS LED CAPACITY / 五灯
PORT / 接口	USB
POWER SWITCH/ 电源开关	YES



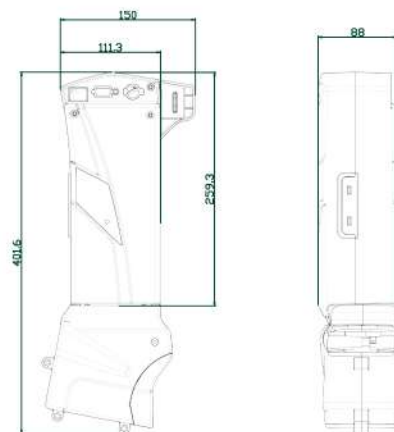
REAR PLUG-IN BATTERY CASES

樱花五号 CLS-05



细节 / DETAILS

MAXIMUM CELLS/最大电芯数	40(18650)
CHARGING PORT / 充电口	DC 2.1 / DC 2.5 / 3PIN
DISCHARGING PORT / 放电口	SELF-MADE 5PIN / 自制5PIN
CAPACITY INDICATOR / 电量显示	5 LEVELS LED CAPACITY / 五灯
PORT / 接口	USB
POWER SWITCH/ 电源开关	YES



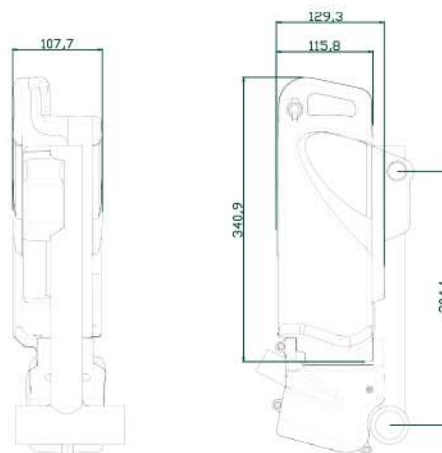
REAR PLUG-IN BATTERY CASES

樱花八号 CLS-08



细节 / DETAILS

MAXIMUM CELLS/最大电芯数	60(18650)
CHARGING PORT / 充电口	DC 2.1 / DC 2.5 / 3PIN
DISCHARGING PORT / 放电口	SELF-MADE 5PIN / 自制5PIN
CAPACITY INDICATOR / 电量显示	5 LEVELS LED CAPACITY / 五灯
PORT / 接口	\
POWER SWITCH/ 电源开关	YES



REAR PLUG-IN BATTERY CASES

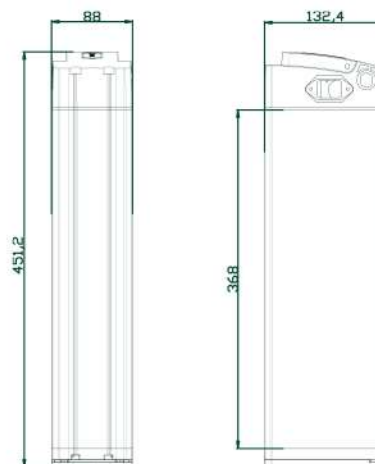
海银 HY



*铝桶尺寸可调节

细节 / DETAILS

MAXIMUM CELLS/最大电芯数	78(18650)/52(21700)
CHARGING PORT / 充电口	3PIN
DISCHARGING PORT / 放电口	SELF-MADE 3PIN / 自制3PIN
CAPACITY INDICATOR / 电量显示	4 LEVELS LED CAPACITY / 四灯
PORT / 接口	\
POWER SWITCH/ 电源开关	YES



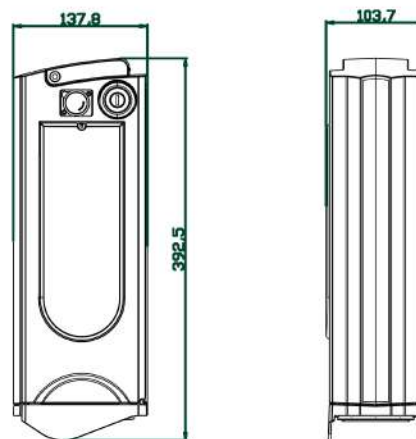
REAR PLUG-IN BATTERY CASES

新海银 XHY



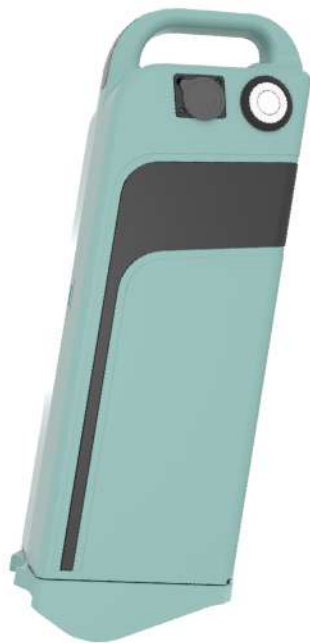
细节 / DETAILS

MAXIMUM CELLS/最大电芯数	78(18650)/52(21700)
CHARGING PORT / 充电口	3PIN
DISCHARGING PORT / 放电口	SELF-MADE 3/4PIN / 自制3/4PIN
CAPACITY INDICATOR / 电量显示	4 LEVELS LED CAPACITY / 四灯
PORT / 接口	\
POWER SWITCH/ 电源开关	YES



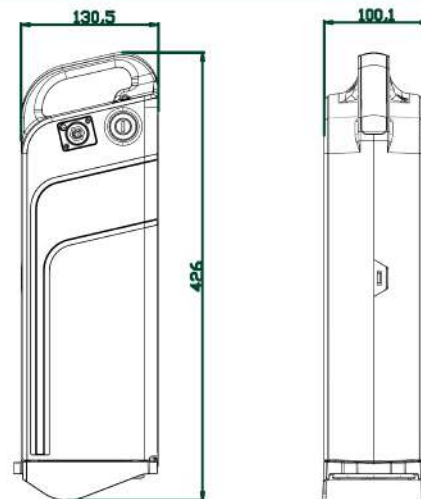
REAR PLUG-IN BATTERY CASES

龙马1 LM1



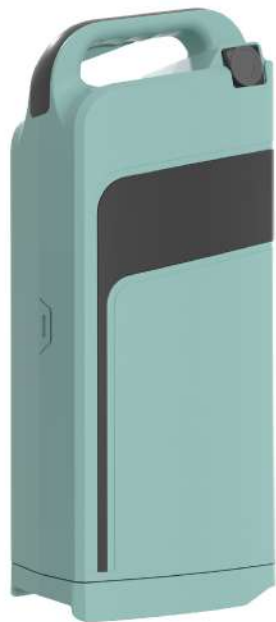
细节 / DETAILS

MAXIMUM CELLS/最大电芯数	52(18650)
CHARGING PORT / 充电口	3PIN
DISCHARGING PORT / 放电口	SELF-MADE 3/4PIN / 自制3/4PIN
CAPACITY INDICATOR / 电量显示	\
PORT / 接口	\
POWER SWITCH/ 电源开关	YES



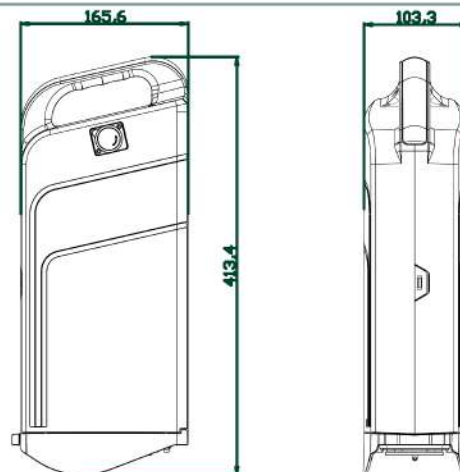
REAR PLUG-IN BATTERY CASES

龙马2 LM2



细节 / DETAILS

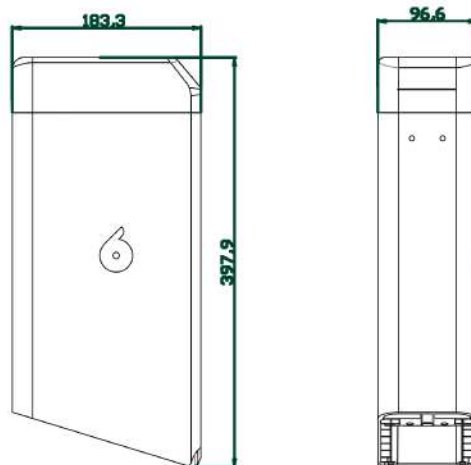
MAXIMUM CELLS/最大电芯数	78(18650)
CHARGING PORT / 充电口	3PIN
DISCHARGING PORT / 放电口	SELF-MADE 3/4PIN / 自制3/4PIN
CAPACITY INDICATOR / 电量显示	\
PORT / 接口	\
POWER SWITCH/ 电源开关	YES





细节 / DETAILS

MAXIMUM CELLS/最大电芯数	78(18650)/52(21700)
CHARGING PORT / 充电口	DC 2.1 / DC 2.5 / 3PIN
DISCHARGING PORT / 放电口	SELF-MADE 8PIN / 自制8PIN
CAPACITY INDICATOR / 电量显示	NONE
PORT / 接口	\
POWER SWITCH/ 电源开关	NO



YY-1/银鱼上放电



Top discharge

YY-2/银鱼下放电



Bottom discharge

*The top and bottom discharge shown in the image of the YY are for illustrative purposes only, and the color can be customized according to customer requirements. Since the body of this battery case is made of aluminum, its length can be adjusted based on customer needs.

细节 / DETAILS

MAXIMUM CELLS/最大电芯数	65(18650)
CHARGING PORT / 充电口	3PIN
DISCHARGING PORT / 放电口	2PIN/3PIN/4PIN
CAPACITY INDICATOR / 电量显示	3 LEVELS LED CAPACITY / 三灯
PORT / 接口	USB
POWER SWITCH/ 电源开关	YES

MAX CAPACITY

18650	65CF
21700	/

REAR PLUG-IN BATTERY CASES

银鱼升级版 YY-Upgraded version

*The upgraded version of the YY battery case now only has a bottom discharge structure and is compatible with 21700 battery cells. It features a dual protection system, consisting of both charging and discharge fuses. The internal structure of this YY battery case is specially designed to provide a high waterproof rating and greater durability than the standard YY battery cases

刀片保险丝及USB(充电保险)
Blade fuse and USB (charging protection)



刀片保险丝(放电保险)
Blade fuse (discharge protection fuse)



The waterproof rating of this battery case is stronger than that of the ordinary YY battery cases available on the market



细节 / DETAILS

MAXIMUM CELLS/最大电芯数	52(21700)
CHARGING PORT / 充电口	3PIN
DISCHARGING PORT / 放电口	2PIN/3PIN/4PIN
CAPACITY INDICATOR / 电量显示	3 LEVELS LED CAPACITY / 三灯
PORT / 接口	USB
POWER SWITCH/ 电源开关	YES

MAX CAPACITY

18650	/
21700	52CF

REAR PLUG-IN BATTERY CASES

飞瑞 FR



细节 / DETAILS

MAXIMUM CELLS/最大电芯数	60(18650)/60(21700)
CHARGING PORT / 充电口	DC 2.1 / DC 2.5 / 3PIN
DISCHARGING PORT / 放电口	SELF-MADE 4PIN / 自制4PIN
CAPACITY INDICATOR / 电量显示	5 LEVELS LED CAPACITY / 五灯
PORT / 接口	USB
POWER SWITCH/ 电源开关	YES

