

IH-HS8OS-BS

Smart Body Sensor



Description

Smart Body Sensor is a smart presence sensor using radar detection to determine human presence. It enables automated smart home linkage control

Feature

- Support ZigBee wireless network protocol
- Neutral and live wire power supply
- Breathing-based occupancy detection
- App-based configuration for sensitivity, delay, illuminance threshold, and do-not-disturb mode
- Support lighting and scene linkage control

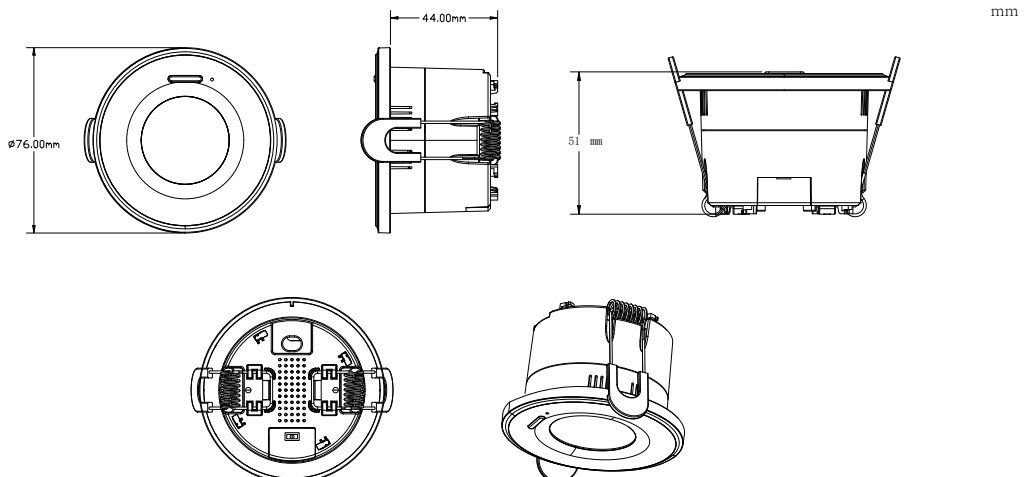
Scene

Suitable for corridors, bathrooms, hallways, and other presence-sensitive areas.

Parameter

Power Supply	100 ~ 240 VAC (L and N)
Sensor Support	Radar, passive infrared, illumination (0-1200 Lux)
Detection Range	Motion Mode: 5-7 m Minor Motion Mode: 3.5-5 m Static Mode: 2.5-4 m
Detection Angle	360° (ceiling installation)
Installation Height	2.5-3m
Installation	Ceiling
Opening Diameter Size	φ60-65mm
Communication Protocol	ZigBee 3.0
Product Size	φ76xH51mm

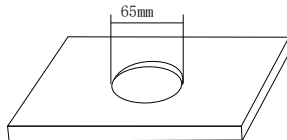
Dimensioned Drawing



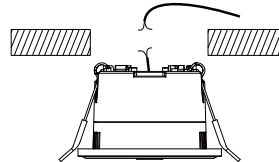
IH-HS8OS-BS

Smart Body Sensor

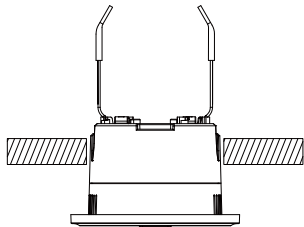
Installation Drawing



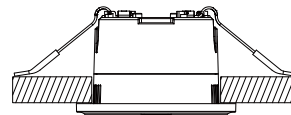
1. Cutout: drill a ceiling opening with a diameter of 65 mm.



2. Wiring: Connect the wires to the sensor terminals (Notice: ensure the power is turned off before installation).



3. Installation: Bend the spring clips on both sides vertically and insert the device into the ceiling opening.



4. Power On: Release the spring clips to secure the device in place. Installation is complete, and the device is ready for operation after powering on.

*Refer to the user manual for detailed instructions