

IH-MCSH-VP001

WallEX 10.1-inch Smart Voice Panel



Description

WallEX is a 10.1 inch smart home central control panel with an Android 10 operating system, enabling ALL-IN-ONE centralized control and coordinated automation of smart home devices.

Featuring multilingual voice commands and AI-driven interaction, it delivers an advanced smart living experience.

Feature

- 10.1 inch LCD touch screen
- Android 10 operating system with high-powered Quad-core chip
- Built-in ZigBee3.0 smart home gateway
- 4-MIC array for voice interaction
- 2-gang switch built-in for direct connected circuits
- Various sensors to monitor spatial conditions in real time
- Supports video intercom function

Scene

It serves as a perfect solution for centralized control in villas, apartments, hotels, and offices.

Parameter

System

CPU	Multi-core high-performance CPU
RAM	1G
ROM	8G
Operating System	Android 10

Basic Parameters

Screen Type	Capacitive touchscreen
LCD Screen	10.1 inch LCD screen, resolution 1280*800
Screen Brightness	250 cd / m ²
Touch Screen	Multi-touch capacitive screen
Audio Output	Built-in speaker, 8Ω / 1W
Microphones	4 Mic
Power Supply	100 ~ 240 VAC (L and N)
Maximum Power Consumption	8W
Installation	Wall flush mounting, 3"*3" electrical back box (depth ≥50mm)
Product Size	262.5x160x9.8mm
Material	Aluminium alloy
Certification	CE

Network

Standards	IEEE 802.11a / b / g / n / ac / ax
Frequency Band	2.4 GHz; 5 GHz

Interface

Relay	2
RS-485	1
Ethernet	1 × 10 / 100 Mbps port

Sensors Built In

Proximity Sensor	≤ 30cm
Light Sensor	Low-level lux detection
Temperature Sensor	±2 C , range: -10 C ~ 55 C
Humidity Sensor	±5%, range: 0% ~ 85%RH, without condensation

Working Environment

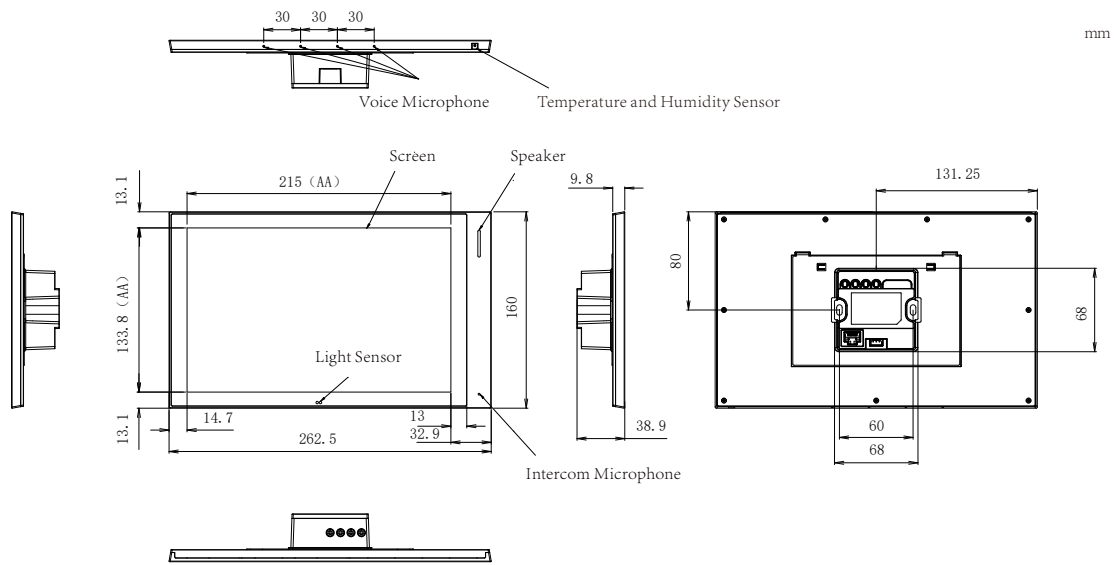
Environment	For indoor use only
-------------	---------------------

IH-MCSH-VP001

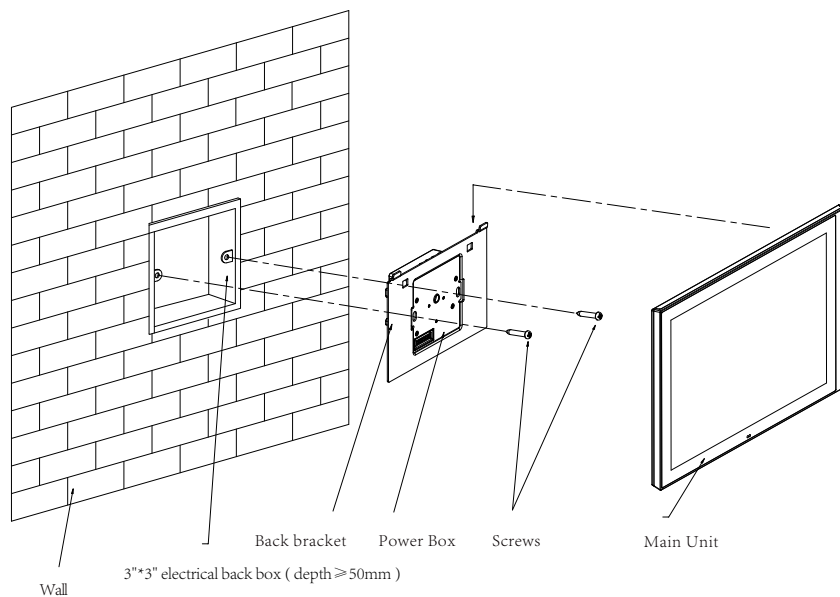
WallEX 10.1-inch Smart Voice Panel

Working Humidity	20% ~ 85%RH, without condensation
Working Temperature	-10 C ~ 55 C
Storage Temperature	-10 C ~ 60 C

Dimensioned Drawing



Installation Drawing



*Refer to the user manual for detailed instructions