

IH-MCSQ-VP001

WallEX Pro 10.1-inch Smart Voice Panel



Description

WallEX Pro is a 10.1-inch smart home control panel featuring an integrated LED rotary knob for device control. Accented with premium leather detailing, it presents an elegant appearance.

It supports true all-in-one centralized management and seamless automation of smart home devices.

With multilingual voice control and AI-driven interaction, WallEX Pro delivers a smarter and more intelligent living experience.

Feature

- 10.1-inch LCD touchscreen with integrated rotary knob and premium leather finish
- Precision rotary knob for tactile feedback and intuitive control
- Android 10 OS powered by a high-performance quad-core processor
- Built-in Zigbee 3.0 smart home gateway
- 4-microphone array for accurate voice interaction
- Integrated 2-gang switch for direct circuit control
- Multiple built-in sensors for real-time environmental monitoring

Scene

It serves as a perfect solution for centralized control in villas, apartments, hotels, and offices.

Parameter

System

CPU	Multi-core high-performance CPU
RAM	2G
ROM	8G
Operating System	Android 10

Basic Parameters

Screen Type	Capacitive touchscreen
LCD Screen	10.1 inch LCD screen, resolution 1280*800
Screen Brightness	360 cd / m ² (LCD)
Touch Screen	Multi-touch capacitive screen
Audio Output	Built-in speaker, 8Ω / 1W
Microphones	4 Mic
Rotary Knob	1.39" touch screen, rotational feedback
Power Supply	100 ~ 240 VAC (L and N)
Maximum Power Consumption	10W
Installation	Wall flush mounting, 3"*3" electrical back box (depth ≥ 50mm)
Product Size	316.7x155.4x21.6mm
Material	Aluminium alloy

Network

Standards	IEEE 802.11a / b / g / n / ac / ax
Frequency Band	2.4 GHz; 5 GHz

Interface

Relay	2
RS-485	1
Ethernet	1 × 10 / 100 Mbps port

IH-MCSQ-VP001

WallEX Pro 10.1-inch Smart Voice Panel

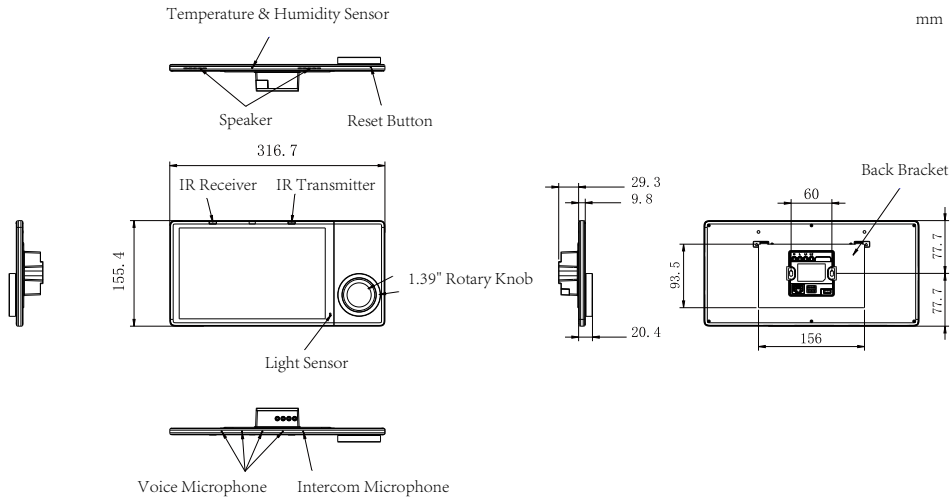
Sensors Built In

Proximity Sensor	≤ 30cm
Light Sensor	Low-level lux detection
Temperature Sensor	±2 C , range: -10 C ~ 55 C
Humidity Sensor	±5%, range: 0% ~ 85%RH, without condensation

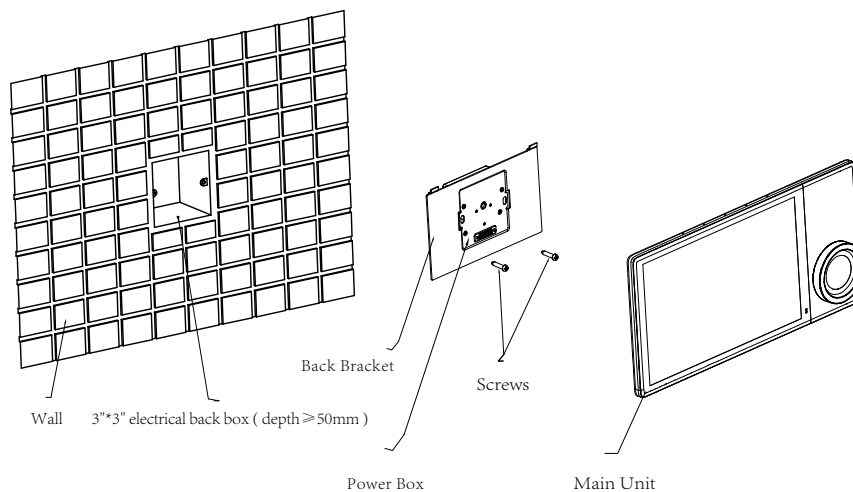
Working Environment

Environment	For indoor use only
Working Humidity	20% ~ 85%RH, without condensation
Working Temperature	-10 C ~ 55 C
Storage Temperature	-10 C ~ 60 C

Dimensioned Drawing



Installation Drawing



*Refer to the user manual for detailed instructions