

# IH-ZBA-TC001

## Smart Thermostat Panel



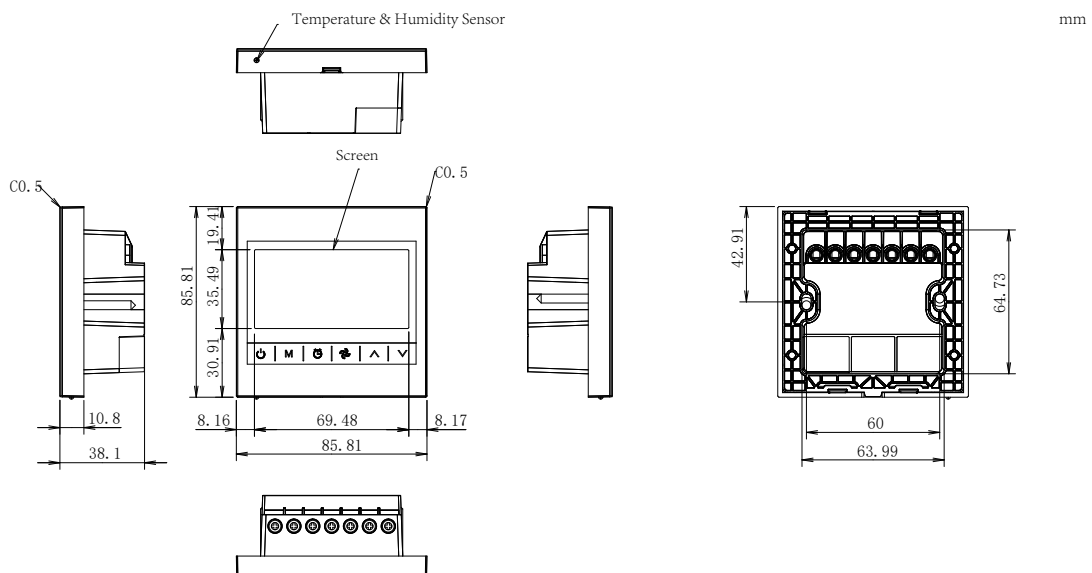
### Description

Smart Thermostat Panel is a three-in-one thermostat control panel integrating air conditioning, fresh air, and floor heating control. It connects to the smart home system via a ZigBee gateway and is suitable for installation in various rooms.

### Feature

- Support ZigBee wireless protocol
- Integrated air conditioning, fresh air, and floor heating control
- Built-in relay output for one floor-heating channel
- Capacitive touch keys for intuitive operation
- Independent mode switching

### Dimensioned Drawing



### Scene

Suitable for bedrooms, living rooms, and residential spaces requiring integrated climate control.

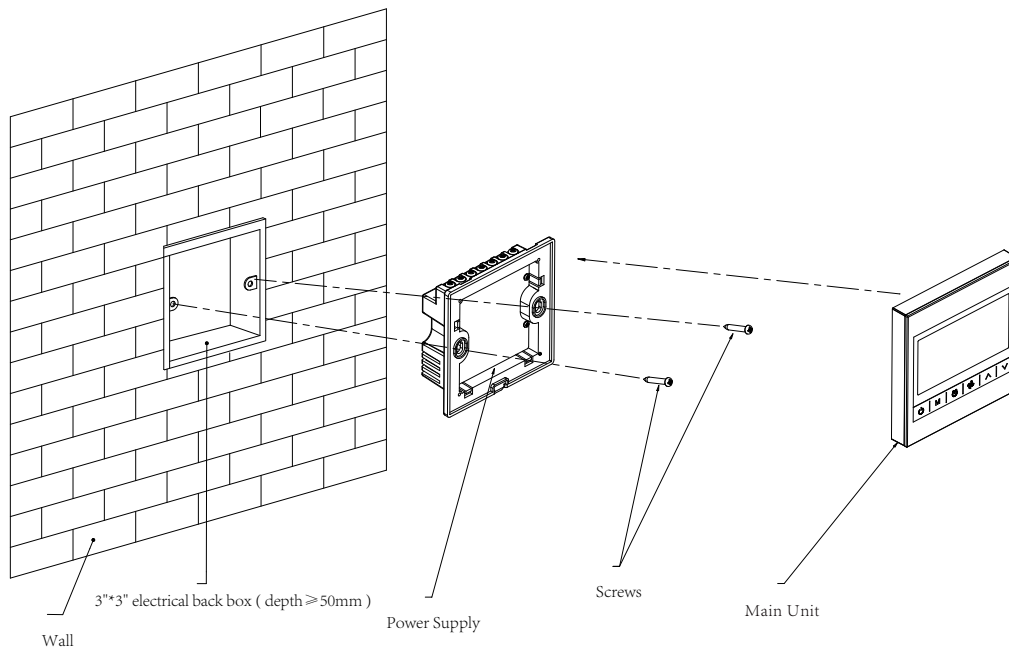
### Parameter

Power Supply	100 ~ 240 VAC ( L and N )
Display	LCD display
Load Power	Electric floor heating maximum 3500W
Communication Protocol	ZigBee 3.0
Product Size	86x86x36mm
Installation	3"x3" electrical back box ( depth ≥ 50mm )

# IH-ZBA-TC001

Smart Thermostat Panel

## Installation Drawing



\*Refer to the user manual for detailed instructions